

Series 44 Banding Backshells

for Series 80 Mighty Mouse Connectors

440MA204 Banding Backshell, Shrink Boot, Low Profile 90°, Elliptical Entry



Adapter Code **M**

This accessory fits Series 80 Mighty Mouse Connectors

TABLE 2: ENTRY SIZE

Entry Size	Shell Size Codes	B		C	
		±.015(0.4) in	mm	±.015(0.4) in	mm
02	05-17	.125	3.2	.125	3.2
03	05-17	.188	4.8	.188	4.8
04	06-17	.250	6.4	.250	6.4
05	07-17	.312	7.9	.250	6.4
06	08-17	.375	9.5	.250	6.4
07	09-17	.438	11.1	.250	6.4
08	10-17	.500	12.7	.250	6.4
09	12-17	.562	14.3	.250	6.4
10	13-17	.625	15.9	.250	6.4
11	14-17	.688	17.5	.250	6.4
12	14-17	.750	19.1	.250	6.4
13	14-17	.812	20.6	.250	6.4
14	16-17	.875	22.2	.250	6.4
15	16-17	.938	23.8	.250	6.4
16	17	1.000	25.4	.250	6.4
17	17	1.062	27.0	.250	6.4

BANDING STRAP

Terminate cable braid to backshell with optional banding strap. Band-Master ATS® banding system provides quick, easy, cost-effective and highly reliable termination of braid shield. Stainless steel.



Micro Band



Hand Tool
601-101

Shell Sizes	Pre-Coiled Band P/N	Length	Max Diameter
05 - 10	601-061	8.13 (206)	.88 (22.4)
12 - 14	601-065	14.25 (362)	1.88 (47.8)

Ultra low profile. 90° EMI. Micro band. 440MA204 banding backshell fits Glenair Series 80 Mighty Mouse connectors. Terminate cable braid shield to backshell with optional micro band strap. Aluminum or stainless steel, fluorosilicone O-ring, monel coupling nut retention wire.

PART NUMBER

	440MA204	M	12	05	K
Base P/N	440MA204				
Material/Finish	M Alum/ Electroless Nickel MT Alum/ Nickel-PTFE NF Alum/ Olive Drab Cadmium ZR Alum/ Black Zinc-Nickel TZ Alum/ Tin-Zinc ZI SST/ Passivated				
Shell Size	05 06 07 08 09 10 11 12 13 14 15 16 17 See table 1				
Entry Size	See Table 2				
Band	<i>Omit if not required</i> K Pre-Coiled 1/8 inch wide MicroBand Included				

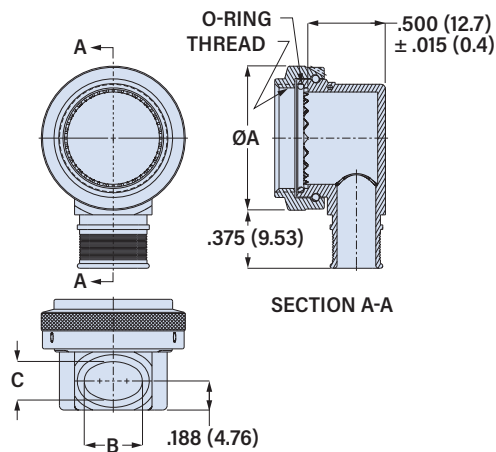


TABLE 1: SHELL SIZE

Shell Size Code	Shell Size			ØA ±.015(0.4)		Available Entry Sizes
	Series 800, 801, 803, 804	Series 805	Thread UNEF-2B	in	mm	
05	5	N/A	0.250-32	.490	12.45	02 thru 03
06	6	N/A	0.3125-32	.555	14.10	02 thru 04
11	N/A	8	0.3750-32	.605	15.37	02 thru 04
07	7	9	0.4375-28	.675	17.15	02 thru 05
08	8	10	0.500-28	.735	18.67	02 thru 06
09	9	11	0.5625-24	.795	20.19	02 thru 07
10	10	12	0.625-24	.855	21.72	02 thru 08
12	11, 12, 13	13	0.6875-24	.930	23.62	02 thru 09
13	N/A	15	0.750-20	.965	24.51	02 thru 10
14	14, 15, 16, 17	18, 19	0.9375-20	1.170	29.72	02 thru 13
16	19	21	1.0625-18	1.275	32.39	02 thru 15
17	21	23	1.1875-18	1.395	35.43	02 thru 17