

Series 44 Banding Backshells

for Series 80 Mighty Mouse Connectors

440MC173 Banding Backshell, Shrink Boot, Ultra Low Profile 90°



Ultra low profile. 90°. EMI. Micro band. 440MC173 banding backshell fits Glenair Series 80 Mighty Mouse connectors. Ultra low profile "cobra" style backshell has screw-on lid with gasket for wiring access. Terminate cable braid shield to backshell with optional micro band strap. Add optional shrink boot for strain relief and environmental protection. Aluminum, fluorosilicone gasket, silicone O-ring.

Adapter Code M
This accessory fits Series 80 Mighty Mouse Connectors

BANDING STRAP

Terminate cable braid to backshell with optional banding strap. Band-Master ATS® banding system provides quick, easy, cost-effective and highly reliable termination of braid shield. Stainless steel.



Shell Sizes	Pre-Coiled Band P/N	Length	Max Diameter
05 - 10	601-061	8.13 (206)	.88 (22.4)
12 - 14	601-065	14.25 (362)	1.88 (47.8)

SHRINK BOOT

Optional heatshrink boot provides cable strain relief and environmental protection. Type 1 high-performance semi-rigid elastomer resists fuels and oils. Operating temperature range -75 to +150 °C.



PART NUMBER

440MC173	M	08	K	P	T
Base P/N	440MC173				
Material/Finish	M Alum/ Electroless Nickel MT Alum/ Nickel-PTFE NF Alum/ Olive Drab Cadmium ZR Alum/ Black Zinc-Nickel TZ Alum/ Tin-Zinc				
Shell Size	05 06 07 08 09 10 11 12 13 14 15 16 17 <i>See table 1</i>				
Band	<i>Omit if not required</i> K Pre-Coiled 1/8 inch wide MicroBand included				
Polysulfide	<i>Omit if not required. Applies to Plating Codes NF, ZR, TZ only.</i> P Nickel Plated Shield Termination Area with Polysulfide Barrier				
Shrink Boot	<i>Omit if not required</i> T Shrink Boot Included				

POLYSULFIDE

Optional polysulfide dielectric coating prevents galvanic mismatch between nickel-coated braid shield and backshell.

⚠ *Plating codes NF, ZR and TZ only*

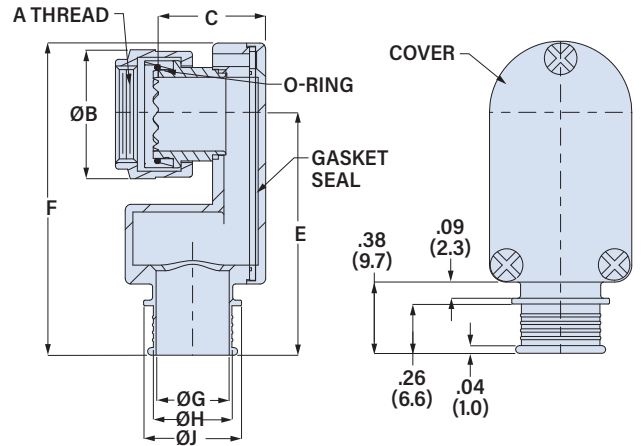
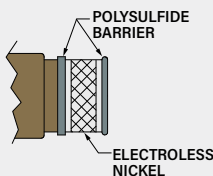


TABLE 1: SHELL SIZE

Shell Size Code	Shell Size Series			A Thread UNEF-2B	øB Max.		C Max.	D Max.		E Max.	F Max.		øG ±.015(0.4)		øH ±.015(0.4)		øJ ±.015(0.4)		Shrink Boot P/N	
	800, 801, 803, 804	Series 805			in	mm		in	mm		in	mm	in	mm	in	mm	in	mm		in
05	5	N/A	0.250-32	.470	11.9	.531	13.5	.540	13.7	1.210	30.7	1.480	37.6	.188	4.8	.312	7.9	.374	9.5	770-003S111
06	6	N/A	0.3125-32	.530	13.5	.562	14.3	.600	15.2	1.240	31.5	1.540	39.1	.250	6.4	.375	9.5	.437	11.1	770-003S112
11	N/A	8	0.3750-32	.570	14.5	.594	15.1	.640	16.3	1.260	32.0	1.560	39.6	.250	6.4	.375	9.5	.437	11.1	770-003S112
07	7	9	0.4375-28	.637	16.2	.625	15.9	.687	17.4	1.280	32.5	1.620	41.1	.375	9.5	.500	12.7	.562	14.3	770-003S112
08	8	10	0.500-28	.700	17.8	.625	15.9	.750	19.1	1.310	33.3	1.690	42.9	.375	9.5	.500	12.7	.562	14.3	770-003S112
09	9	11	0.5625-24	.758	19.3	.687	17.4	.810	20.6	1.340	34.0	1.750	44.5	.438	11.1	.562	14.3	.624	15.8	770-001S104
10	10	12	0.625-24	.819	20.8	.700	17.8	.875	22.2	1.370	34.8	1.810	46.0	.500	12.7	.625	15.9	.687	17.4	770-001S104
12	11, 12, 13	13	0.6875-24	.896	22.8	.725	18.4	1.050	26.7	1.480	37.6	2.010	51.1	.625	15.9	.750	19.1	.812	20.6	770-001S104
13	N/A	15	0.750-20	.930	23.6	.750	19.1	1.110	28.2	1.510	38.4	2.100	53.3	.625	15.9	.750	19.1	.812	20.6	770-001S104
14	14, 15, 16, 17	18, 19	0.9375-20	1.137	28.9	.812	20.6	1.300	33.0	1.540	39.1	2.250	57.2	.750	19.1	.875	22.2	.937	23.8	770-001S105