

Series 44 Banding Backshells

for MIL-DTL-26482 Series I Connectors

447DS523 Banding/ Overmolding Adapter



Adapter Code **D**

This accessory fits MIL-DTL-26482 Series I connectors

BANDING STRAP INFORMATION

Terminate cable braid to adapter with banding strap. Glenair's Band-Master ATS® banding system provides quick, easy, cost-effective and highly reliable termination of braid shield. Stainless steel.



Micro Band



Hand Tool

601-101

Pre-Coiled Band P/N	Length	Max. Dia.
601-061	8.13 (206)	.88 (22.4)
601-065	14.25 (362)	1.80 (45.7)

PART NUMBER

447DS523

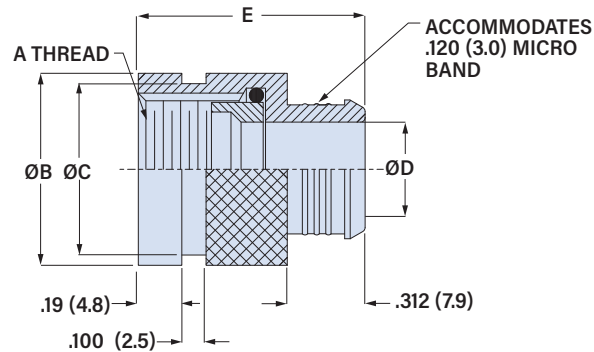
M

18

Base P/N 447DS523

Material/Finish
M Alum/ Electroless Nickel
MT Alum/ Nickel-PTFE
NF Alum/ Olive Drab Cadmium
ZR Alum/ Black Zinc-Nickel
TZ Alum/ Tin-Zinc
ZI SST/ Passivated

Shell Size 08 10 12 14 16 18 20 22 24



Shell Size	A	øB		øC		øD		E	
	Thread UNEF-2B	±.015 (0.4) in	mm	±.005 (0.13) in	mm	±.015 (0.4) in	mm	±.015 (0.4) in	mm
08	0.4375-28	.562	14.3	.500	12.7	.250	6.4	.94	23.9
10	0.5625-24	.688	17.5	.625	15.9	.375	9.5	.94	23.9
12	0.6875-24	.812	20.6	.750	19.1	.500	12.7	.94	23.9
14	0.8125-20	.938	23.8	.875	22.2	.625	15.9	.94	23.9
16	0.9375-20	1.062	27.0	1.000	25.4	.750	19.1	.94	23.9
18	1.0625-18	1.188	30.2	1.125	28.6	.875	22.2	.94	23.9
20	1.1875-18	1.312	33.3	1.250	31.8	1.000	25.4	.94	23.9
22	1.3125-18	1.438	36.5	1.375	34.9	1.125	28.6	.94	23.9
24	1.4375-18	1.562	39.7	1.500	38.1	1.250	31.8	.94	23.9