



# Series 44 Banding Backshells

for MIL-DTL-38999 Series III and IV Connectors

## 447HC659 Banding Backshell, Shrouded, Low Profile 90°



"Band-in-a-Can" shield termination. Low profile. Saddle clamp. 447H\*659 banding backshell fits MIL-DTL-38999 Series III and IV connectors. "Cobra" style split construction with screw-on lid for easy wire routing. Terminate cable braid shield to banding platform with micro band strap. Saddle clamp provides cable strain relief. Aluminum. Saddle clamp hardware is passivated SST.

### PART NUMBER

**447HC659 M 19 14 K**

Base P/N **447HC659**

**Material/Finish**  
**M** Alum/ Electroless Nickel  
**MT** Alum/ Nickel-PTFE  
**NF** Alum/ Olive Drab Cadmium  
**ZR** Alum/ Black Zinc-Nickel  
**TZ** Alum/ Tin-Zinc

Shell Size	Shell Size									
	9	11	13	15	17	19	21	23	25	
	A	B	C	D	E	F	G	H	J	
Size Code	<b>09</b>	<b>11</b>	<b>13</b>	<b>15</b>	<b>17</b>	<b>19</b>	<b>21</b>	<b>23</b>	<b>25</b>	

Entry Size	Cable Range				Shell Sizes
	Inches Min.	Inches Max.	mm Min.	mm Max.	
<b>10</b>	.130	.250	3.3	6.4	09-25
<b>12</b>	.250	.380	6.4	9.7	11-25
<b>14</b>	.310	.440	7.9	11.2	15-25
<b>16</b>	.375	.630	9.5	16.0	17-25
<b>18</b>	.560	.690	14.2	17.5	23-25
<b>20</b>	.630	.750	16.0	19.1	23-25

**Band** Omit if not required  
**K** Pre-Coiled Band Included With Backshell

### Adapter Code **H**

This accessory fits these connectors:  
 MIL-DTL-38999 Series III and Series IV

### BAND

Terminate cable braid to backshell with optional pre-coiled banding strap. Glenair's Band-Master ATS® banding system provides quick, easy, cost-effective and highly reliable termination of braid shield. Stainless steel.

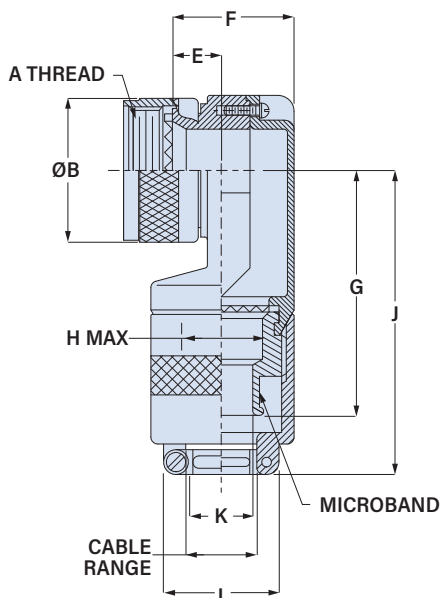


Micro Band



Hand Tool  
601-101

Entry Sizes	Pre-Coiled Band P/N	Length	Max Diameter
10 - 16	<b>601-061</b>	8.13 (206)	.88 (22.4)
18 - 20	<b>601-065</b>	14.25 (362)	1.88 (47.8)



Shell Size	A Thread	øB Max	E Max.	F Max.	G Max.	H Max.	J Max.	Max Entry Size
9 (A)	M12X1.0-6H	.770 19.6	.34 8.6	.681 17.3	1.62 41.1	.25 6.4	2.12 53.8	<b>10</b>
11 (B)	M15X1.0-6H	.820 22.4	.27 6.9	.731 18.6	1.78 45.2	.38 9.5	2.28 57.9	<b>12</b>
13 (C)	M18X1.0-6H	.940 23.9	.27 6.9	.731 18.6	1.78 45.2	.38 9.5	2.28 57.9	<b>12</b>
15 (D)	M22X1.0-6H	1.07 27.2	.28 7.1	.831 21.1	1.85 47.0	.50 12.7	2.35 59.7	<b>14</b>
17 (E)	M25X1.0-6H	1.210 30.7	.42 10.7	.981 24.9	1.90 48.3	.63 15.9	2.40 61.0	<b>16</b>
19 (F)	M28X1.0-6H	1.360 34.5	.64 16.3	1.181 30.0	1.93 49.0	.63 15.9	2.43 61.7	<b>16</b>
21 (G)	M31X1.0-6H	1.480 37.6	.64 16.3	1.181 30.0	1.93 49.0	.63 15.9	2.43 61.7	<b>16</b>
23 (H)	M34X1.0-6H	1.600 40.6	.54 13.7	1.181 30.0	2.08 52.8	.75 19.1	2.58 65.5	<b>20</b>
25 (J)	M37X1.0-6H	1.700 43.2	.54 13.7	1.181 30.0	2.08 52.8	.75 19.1	2.58 65.5	<b>20</b>

Entry Size	ø K ± .03 (0.8)		L Max	Cable Range				Shell Sizes	
	in	mm		Inches Min.	Inches Max.	mm Min.	mm Max.		
<b>10</b>	.22	5.6	1.00	1.30	.250	3.3	6.4	09-25	
<b>12</b>	.31	7.9	1.25	31.8	.250	.380	6.4	9.7	13-25
<b>14</b>	.44	11.2	1.34	34.0	.310	.440	7.9	11.2	15-25
<b>16</b>	.56	14.2	1.47	37.3	.375	.630	9.5	16.0	17-25
<b>18</b>	.63	16.0	1.56	38.1	.560	.690	14.2	17.5	23-25
<b>20</b>	.75	19.1	1.62	41.1	.630	.750	16.0	19.1	23-25