

Series 44 Banding Backshells

Selection Guide

- Fast, reliable shield termination with Band-Master ATS® stainless steel band
- Available with self-locking coupling nuts for high vibration environments
- Nine styles to choose from
- Aluminum, stainless steel or composite
- Optional shrink boot
- Ultra low-profile 90° versions
- Compatible with standard mil spec circular electrical connectors

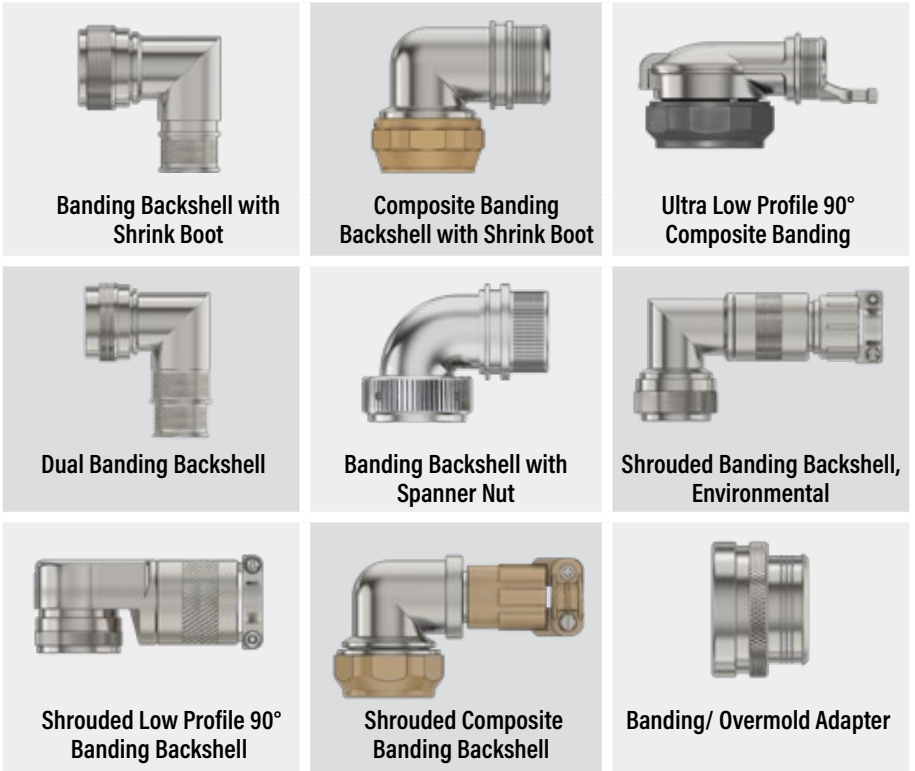


Stainless steel **Band-Master ATS®** band fits a wide range of diameters and meets demanding mil spec performance requirements. Install band with Band-Master ATS® tool. Braid-to-backshell resistance is one milliohm or less. Series 44 banding backshells meet AS85049 requirements and are widely used in aerospace and military electronics systems.

Series 44 Banding Backshells

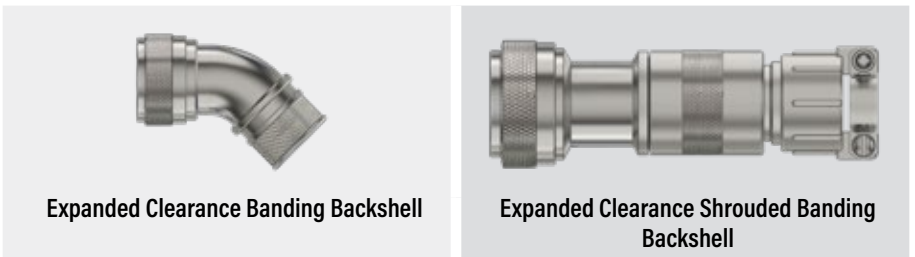
Series 44 Banding Backshells provide fast, reliable termination of cable braid shields to standard mil spec circular electrical connectors, Glenair Series 80 Mighty Mouse, Series 233 SuperNine, Series 806 Mil-Aero and Series 970 PowerTrip connectors. Series 44 backshells are available in nine styles including shrink boot versions and shrouded "Band-in-a-Can" versions with saddle clamps for wire strain relief. Material choices include aluminum alloy, stainless steel and corrosion-proof composite.

Banding Backshell Styles



Expanded Clearance Banding Backshells



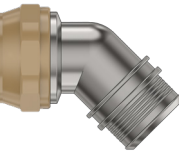
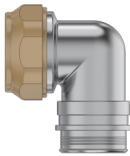
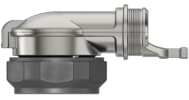
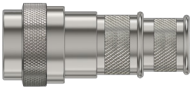



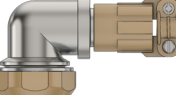

Expanded clearance banding backshells have extra room for sealing boots used with size 8 coax, twinax, quadax and octaxial contacts. Available in two styles: **440-233** shrink boot banding adapter, or **443-042** shrouded "band-in-a-can" environmental adapter with saddle clamp strain relief. Compatible with M38999 Series III and IV connectors, along with Series 80 Mighty Mouse and Series 806 Mil-Aero connectors.





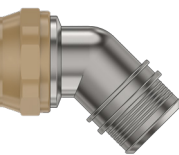
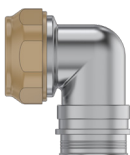
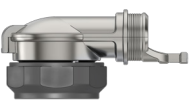
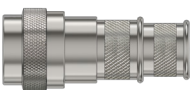



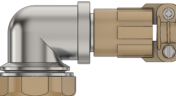

Series 44 Banding Backshells



Selection Guide

<p>Adapter Code A AS50151 crimp AS95234 MIL-DTL-26482 Ser. II MIL-DTL-83723 Ser. III</p>	 Banding Backshell, Spin Coupling 440A*030 Page 44-5	 Banding Backshell, Self-Locking 440A*069 Page 44-8	 Banding Backshell, Composite 447A*325 Page 44-13	 Banding Backshell, Composite, Micro Band 447A*326 Page 44-14	 Banding Backshell, Composite Low Profile 90° 440A*143 Page 44-15
 Banding Backshell, Dual Band 440A*072 Page 44-11	 Banding Backshell, Self- Locking, Spanner Nut 447A*531 Page 44-16	 Banding Backshell, Shrouded Environmental 443A*024 Page 44-17	 Banding Backshell, Shrouded Low Profile 90° 447AC659 Page 44-20	 Banding Backshell, Composite, Shrouded 447A*328 Page 44-19	 Banding Overmolding Adapter 447AS523 Page 44-21

<p>Adapter Code B AS50151 Solder</p>	 Banding Backshell, Direct Coupling 440B*031 Page 44-22	<p>Adapter Code D MIL-DTL-26482 Series I</p>	 Banding Backshell, Direct Coupling 440D*031 Page 44-24	 Banding Overmolding Adapter 440DS523 Page 44-26
---	--	---	--	---

<p>Adapter Code F MIL-DTL-38999 Series I and II</p>	 Banding Backshell, Spin Coupling 440F*030 Page 44-27	 Banding Backshell, Self-Locking 440F*069 Page 44-30	 Banding Backshell, Composite 447F*325 Page 44-35	 Banding Backshell, Composite, Micro Band 447F*326 Page 44-36	 Banding Backshell, Composite Low Profile 90° 440F*143 Page 44-37
 Banding Backshell, Dual Band 440F*072 Page 44-33	 Banding Backshell, Self- Locking, Spanner Nut 447F*531 Page 44-38	 Banding Backshell, Shrouded Environmental 443F*024 Page 44-39	 Banding Backshell, Shrouded Low Profile 90° 447FC659 Page 44-41	 Banding Backshell, Composite, Shrouded 447F*328 Page 44-42	 Banding Overmolding Adapter 447FS523 Page 44-43

Series 44 Banding Backshells

Selection Guide

Adapter Code
G
MIL-DTL-28840



Banding Backshell,
Spin Coupling
440G*058
Page 44-65

Adapter Code
H
MIL-DTL-38999
Series III and IV



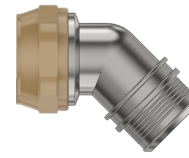
Banding Backshell,
Spin Coupling
440H*030
Page 44-44



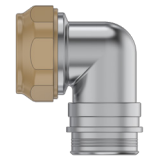
Banding Backshell,
Self-Locking
440H*069
Page 44-47



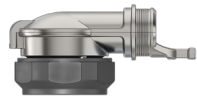
Banding Backshell,
Expanded Clearance
440H*233
Page 44-50



Banding Backshell,
Composite
447H*325
Page 44-54



Banding Backshell,
Composite, Micro Band
447H*326
Page 44-55



Banding Backshell,
Composite Low Profile 90°
440H*143
Page 44-56



Banding Backshell, Dual
Band
440H*072
Page 44-52



Banding Backshell, Self-
Locking, Spanner Nut
447H*531
Page 44-57



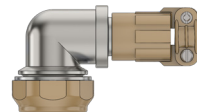
Banding Backshell,
Shrouded Environmental
443H*024
Page 44-58



Banding Backshell, Shrouded,
Expanded Clearance
443H*042
Page 44-60



Banding Backshell,
Shrouded Low Profile 90°
447HC659
Page 44-63



Banding Backshell,
Composite, Shrouded
447H*328
Page 44-62

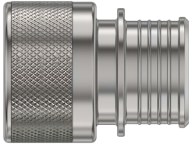
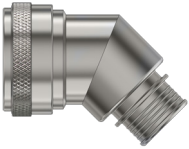
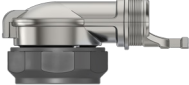









Banding Overmolding
Adapter
447HS523
Page 44-64

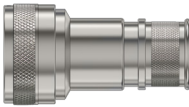
Series 44 Banding Backshells

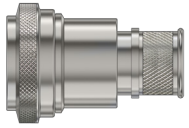






Selection Guide

Adapter Code <h1 style="font-size: 2em; margin: 0;">M</h1> Series 80 Mighty Mouse					
	Banding Backshell, Direct Coupling 440MS134 Page 44-67	Banding Backshell, Spin Coupling 440M*135 Page 44-68	Banding Backshell, Composite, Low Profile 440M*143 Page 44-70	Banding Backshell, Dual Band 440M*182 Page 44-71	Banding Backshell, Low Profile 90° Elliptical Entry 440MA204 Page 44-72
					
	Banding Backshell, Ultra Low Profile 90° 440MC173 Page 44-73	Banding Backshell, Shrouded 440MS981 Page 44-74	Banding Backshell, Expanded Clearance 440M*233 Page 44-75	Banding Backshell, Shrouded, Expanded Clearance 443M*042 Page 44-77	

Adapter Code <h1 style="font-size: 2em; margin: 0;">P</h1> Series 970 PowerTrip	
	Banding Backshell, Spin Coupling 440P*069 Page 44-79

Adapter Code <h1 style="font-size: 2em; margin: 0;">R</h1> ITS Bayonet (VG95234)	
	Banding Backshell, Spin Coupling 440R*030 Page 44-91

Adapter Code <h1 style="font-size: 2em; margin: 0;">V</h1> Series 806 Mil-Aero					
	Banding Backshell, Self-Locking 440V*191 Page 44-81	Banding Backshell, Self-Locking, Micro Band 440V*213 Page 44-83	Banding Backshell, Shrouded Environmental 443V*039 Page 44-85	Banding Backshell, Expanded Clearance 440V*233 Page 44-87	Banding Backshell, Shrouded, Expanded Clearance 443V*042 Page 44-89