



Qwik-Ty® Strain Reliefs

for MIL-DTL-26500 Connectors

450E*001 Qwik-Ty Strain Relief

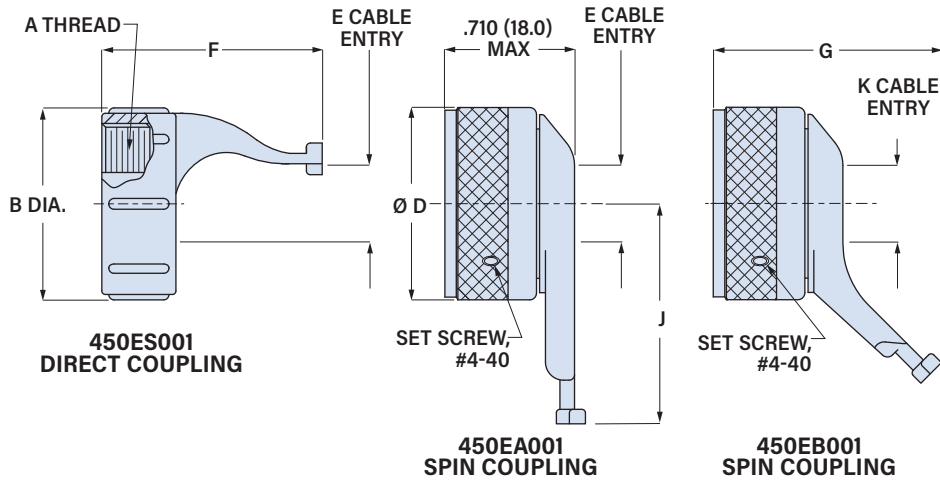


Lightweight, rugged, economical, fast-to-install. Qwik-Ty® strain relief fits Mil-DTL-26500 connectors. Straight, 45° and 90° profiles. Straight profile is direct coupling, 45° and 90° are spin coupling. 45° and 90° profiles have a set screw to lock coupling nut. Secure wire bundle with plastic strap or lacing tape (not included). Aluminum alloy.

Adapter Code E
This accessory fits MIL-DTL-26500 connectors

PART NUMBER

	450ES001	NF	14
Base P/N	450ES001 Straight, Direct Coupling 450EA001 90°, Spin Coupling 450EB001 45°, Spin Coupling		
Finish	C Black Anodize M Electroless Nickel NF Olive Drab Cadmium MT Nickel-PTFE ZR Black Zinc-Nickel TZ Tin-Zinc		
Shell Size	08 10 12 14 16 18 20 22 24		



Shell Size	A Thread UNEF-2B	øB Max.		øD Max.		E ± .015 (0.4)		F Max.		G Max.		J Max.		K ± .015 (0.4)	
		In.	mm.	In.	mm.	In.	mm.	In.	mm.	In.	mm.	In.	mm.		
08	0.4375-28	.59	15.0	.77	19.6	.250	6.4	1.06	26.9	1.32	33.5	.95	24.1	.355	9.0
10	0.5625-24	.72	18.3	.89	22.6	.382	9.7	1.06	26.9	1.44	36.6	1.01	25.7	.465	11.8
12	0.7500-24	.97	24.6	1.02	25.9	.500	12.7	1.06	26.9	1.58	40.1	1.33	33.8	.625	15.9
14	0.8125-20	.97	24.6	1.15	29.2	.630	16.0	1.31	33.3	1.60	40.6	1.39	35.3	.695	17.7
16	0.9375-20	1.09	27.7	1.26	32.0	.750	19.1	1.31	33.3	1.60	40.6	1.46	37.1	.810	20.6
18	1.0625-18	1.22	31.0	1.40	35.6	.838	21.3	1.31	33.3	1.63	41.4	1.51	38.4	.942	23.9
20	1.1875-18	1.34	34.0	1.53	38.9	.968	24.6	1.31	33.3	1.63	41.4	1.57	39.9	1.079	27.4
22	1.3125-18	1.47	37.3	1.60	40.6	1.090	27.7	1.31	33.3	1.63	41.4	1.64	41.7	1.079	27.4
24	1.4375-18	1.59	40.4	1.94	49.3	1.220	31.0	1.31	33.3	1.63	41.4	1.71	43.4	1.300	33.0