

Qwik-Ty® Strain Reliefs

for MIL-DTL-38999 Series I and II Connectors

450F*029 Qwik-Ty, Self-Locking, Composite



Self-Locking

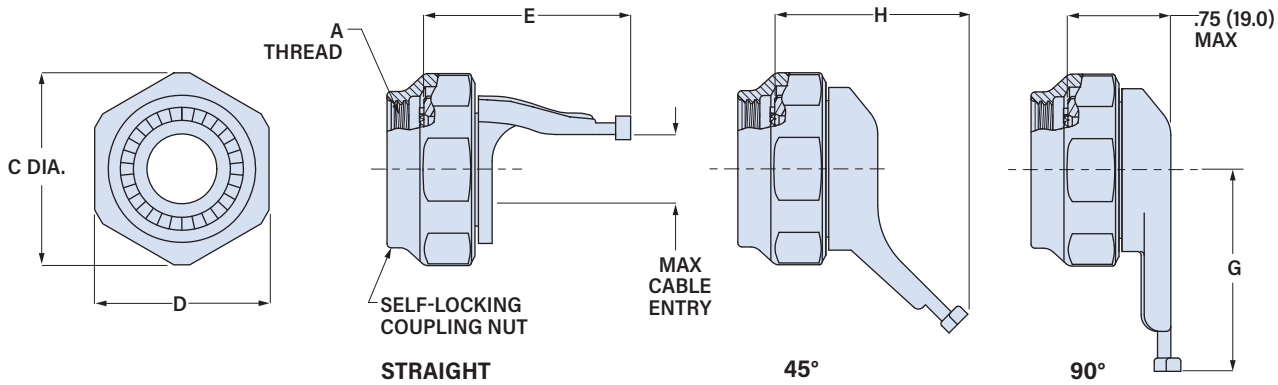
Lightweight, self-locking, corrosion-proof. 450F*029 composite Qwik-Ty® strain relief fits MIL-DTL-38999 Series I and II connectors. High performance glass-reinforced material meets AS85049 requirements. Anti-decoupling mechanism provides audible detented coupling and prevents backoff under high vibration. Secure wire bundle with plastic strap or lacing tape (not included). Straight, 45° or 90°. Polyetherimide material with thermoplastic anti-decoupling spring.

Adapter Code F

This accessory fits these connectors:
MIL-DTL-38999 Series I and Series II

PART NUMBER

	450FS029	XO	18																																								
Base P/N	450FS029 Straight 450FA029 90° 450FB029 45°																																										
Material Color	XB No Plating, Color Black XO No Plating, Color Brown XM Electroless Nickel XMT Nickel-PTFE XW Olive Drab Cadmium XZN Black Zinc-Nickel																																										
Size Code	<table border="1"> <thead> <tr> <th colspan="2"></th> <th colspan="8">Shell Size</th> </tr> <tr> <th>Series I</th> <th>9</th> <th>11</th> <th>13</th> <th>15</th> <th>17</th> <th>19</th> <th>21</th> <th>23</th> <th>25</th> </tr> <tr> <th>Series II</th> <th>8</th> <th>10</th> <th>12</th> <th>14</th> <th>16</th> <th>18</th> <th>20</th> <th>22</th> <th>24</th> </tr> </thead> <tbody> <tr> <td>Size Code</td> <td>08</td> <td>10</td> <td>12</td> <td>14</td> <td>16</td> <td>18</td> <td>20</td> <td>22</td> <td>24</td> </tr> </tbody> </table>					Shell Size								Series I	9	11	13	15	17	19	21	23	25	Series II	8	10	12	14	16	18	20	22	24	Size Code	08	10	12	14	16	18	20	22	24
		Shell Size																																									
Series I	9	11	13	15	17	19	21	23	25																																		
Series II	8	10	12	14	16	18	20	22	24																																		
Size Code	08	10	12	14	16	18	20	22	24																																		



Shell Size	A Thread UNEF-2B	øC Max		D Hex Flats		E Max		G Max		H Max		Max Cable Entry	
		In.	mm.	In.	mm.	In.	mm.	In.	mm.	In.	mm.	In.	mm.
8, 9	0.4375-28	.86	21.8	.750	19.1	1.14	29.0	1.22	31.0	1.14	29.0	.25	6.4
10, 11	0.5625-24	.98	24.9	.875	22.4	1.14	29.0	1.29	32.8	1.14	29.0	.38	9.7
12, 13	0.6875-24	1.16	29.5	1.000	25.4	1.20	30.5	1.62	41.1	1.14	29.0	.50	12.7
14, 15	0.8125-20	1.28	32.5	1.125	28.6	1.38	35.1	1.66	42.2	1.64	41.7	.63	16.0
16, 17	0.9375-20	1.41	35.8	1.250	31.8	1.38	35.1	1.72	43.7	1.64	41.7	.75	19.1
18, 19	1.0625-18	1.52	38.6	1.375	34.9	1.44	36.6	1.72	43.7	1.74	44.2	.81	21.8
20, 21	1.1875-18	1.64	41.7	1.500	38.1	1.57	39.9	1.79	45.5	1.74	44.2	.94	23.9
22, 23	1.3125-18	1.77	45.0	1.625	41.3	1.69	42.9	1.85	47.0	1.74	44.2	1.06	26.9
24, 25	1.4375-18	1.89	48.0	1.750	44.5	1.83	46.5	1.91	48.5	1.95	49.5	1.19	30.2