



Qwik-Ty® Strain Reliefs

for Series 80 Mighty Mouse Connectors

450M*050 Qwik-Ty Strain Relief, Composite, Series 805

Self-Locking

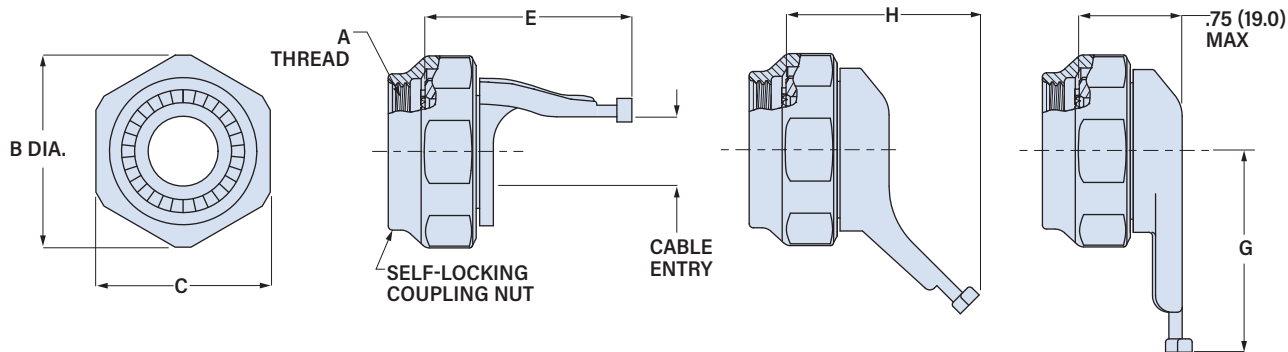


Lightweight, self-locking, corrosion-proof. 450M*050 composite thermoplastic Qwik-Ty® strain relief fits Series 805 Mighty Mouse connectors. High performance glass-reinforced material meets AS85049 requirements. Anti-decoupling mechanism provides audible detented coupling and prevents backoff under high vibration. Secure wire bundle with plastic strap or lacing tape (not included). Straight, 45° or 90°. Glass-reinforced PEI thermoplastic.

Adapter Code M
This accessory fits Series 80 Mighty Mouse Connectors

PART NUMBER

	450MS050	XB	12
Base P/N	450MS050 Straight 450MA050 90° 450MB050 45°		
Material and Finish	XB Unplated Black Material		
Size Code	Series 805 Shell Size 9 10 11 12 13 15 18 19 21 23 Size Code 07 08 09 10 12 13 14 14 16 17		



Size Code	Series 805 Shell Size	A Thread UNEF-2B	øB Max.		C Flats Max.		E Max.		G Max.		H Max.		Cable Entry Max	
			In.	mm.	In.	mm.	In.	mm.	In.	mm.	In.	mm.	In.	mm.
07	9	0.4375-28	.812	20.6	.750	19.1	1.14	29.0	1.22	31.0	1.14	29.0	.25	6.4
08	10	0.500-28	.812	20.6	.750	19.1	1.14	29.0	1.22	31.0	1.14	29.0	.25	6.4
09	11	0.5625-24	.938	23.8	.875	22.2	1.14	29.0	1.29	32.8	1.14	29.0	.38	9.7
10	12	0.625-24	.938	23.8	.875	22.2	1.14	29.0	1.29	32.8	1.14	29.0	.38	9.7
12	13	0.6875-24	1.125	28.6	1.000	25.4	1.20	30.5	1.62	41.1	1.14	29.0	.50	12.7
13	15	0.750-20	1.125	28.6	1.000	25.4	1.20	30.5	1.62	41.1	1.14	29.0	.50	12.7
14	18, 19	0.9375-20	1.375	34.9	1.250	31.8	1.38	35.1	1.72	43.7	1.64	41.7	.75	19.1
16	21	1.0625-18	1.500	38.1	1.375	34.9	1.44	36.6	1.72	43.7	1.74	44.2	.81	20.6
17	23	1.1875-18	1.625	41.3	1.500	38.1	1.57	39.9	1.79	45.5	1.74	44.2	.94	23.9