



# Qwik-Ty® Strain Reliefs

for Series 806 Mil-Aero Connectors

## 457V\*048 Qwik-Ty Strain Relief, Composite, with EMI Banding Adapter

**Self-Locking**



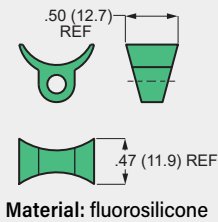
**Low profile. Light weight. Band-Master shield termination.** 457V\*048 Qwik-Ty® strain relief fits Glenair Series 806 Mil-Aero connectors. Terminate cable shield to adapter with Band-Master strap (purchased separately). "T" slots in adapter accept individual shields. Anti-decoupling mechanism provides audible detented coupling and prevents backoff under high vibration. Attach wire bundle to arm with cable tie (not supplied). Optional rubber pad provides wire cushioning. Black thermoplastic body, coupling nut and detent spring, aluminum banding adapter, fluorosilicone spacer pad.

**Adapter Code V**

This accessory fits:  
Glenair Series 806 Mil-Aero connectors

<b>PART NUMBER</b>		<b>457VB048</b>	<b>M</b>	<b>11</b>	<b>P</b>
<b>Base P/N</b>	<b>457VS048</b> Straight <b>457VA048</b> 90° <b>457VB048</b> 45°				
<b>Banding Adapter Finish</b>	<b>M</b> Electroless Nickel <b>NF</b> Olive Drab Cadmium <b>MT</b> Nickel-PTFE				
<b>Size Code</b>	<b>09 10 11 12 14 16 18 20 22 24</b>				
<b>Spacer Pad</b>	<i>Omit if not required</i> <b>P</b> Supplied with optional rubber spacer pad (fig. 1)				

**FIGURE 1: SPACER PAD**

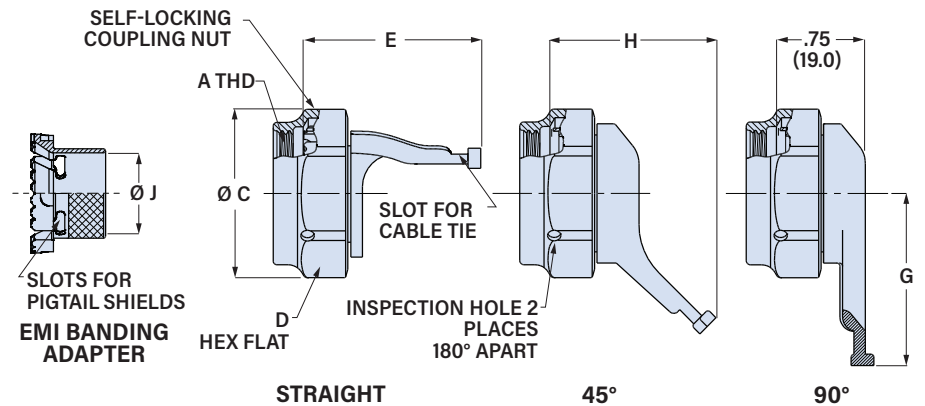


**BANDING STRAP**

Terminate cable braid to backshell with banding strap. Glenair's Band-Master ATS® banding system provides quick, easy, cost-effective and highly reliable termination of braid shield. Stainless steel.



Pre-Coiled Band P/N	Length	Max Diameter
<b>601-061</b>	8.13 (206)	.88 (22.4)
<b>601-065</b>	14.25 (362)	1.88 (47.8)



Shell Size	A ISO Metric Thread	øC Max. In. mm.	D Hex Flats In. mm.	E Max. In. mm.	G Max. In. mm.	H Max. In. mm.	± .015 (0.4) In. mm.
<b>09</b>	M12 x 1.0-6H	.86 21.8	.750 19.1	1.28 32.5	1.22 31.0	1.14 29.0	.140 3.6
<b>10</b>	M14 x 1.0-6H	.98 24.9	.875 22.2	1.28 32.5	1.29 32.8	1.14 29.0	.251 6.4
<b>11</b>	M15 x 1.0-6H	.98 24.9	.875 22.2	1.28 32.5	1.29 32.8	1.14 29.0	.270 6.9
<b>12</b>	M17 x 1.0-6H	1.16 29.5	1.000 25.4	1.44 36.6	1.62 41.1	1.14 29.0	.369 9.4
<b>14</b>	M19 x 1.0-6H	1.28 32.5	1.125 28.6	1.51 38.4	1.66 42.2	1.64 41.7	.390 9.9
<b>16</b>	M22 x 1.0-6H	1.28 32.5	1.125 28.6	1.51 38.4	1.66 42.2	1.64 41.7	.512 13.0
<b>18</b>	M25 x 1.0-6H	1.41 35.8	1.250 31.8	1.51 38.4	1.72 43.7	1.64 41.7	.627 15.9
<b>20</b>	M28 x 1.0-6H	1.52 38.6	1.375 34.9	1.57 39.9	1.72 43.7	1.74 44.2	.747 19.0
<b>22</b>	M31 x 1.0-6H	1.64 41.7	1.500 38.1	1.71 43.4	1.79 45.5	1.74 44.2	.871 22.1
<b>24</b>	M34 x 1.0-6H	1.77 45.0	1.625 41.3	1.83 46.5	1.85 47.0	1.74 44.2	.996 25.3