

Series 48 Nut Plates

For Mil Spec Circular Connectors

Nut Plates for AS81703 Series 3 Connectors

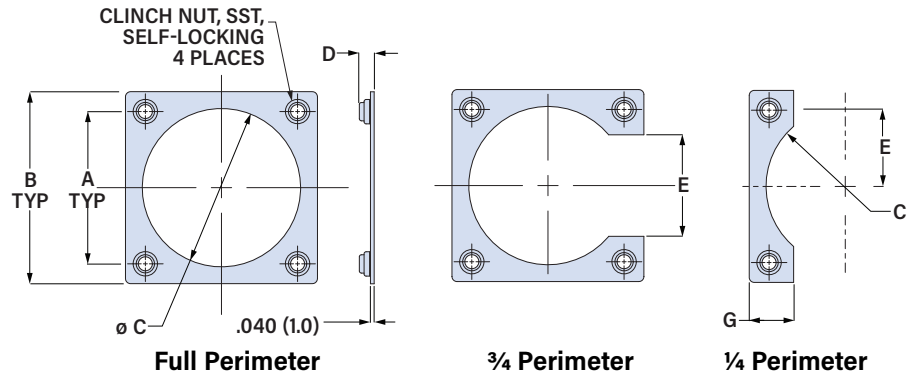
M85049 nut plates fit AS81703 Series 3 connector receptacles with square flanges. Nut plates eliminate loose lockwashers and nuts for faster installation time and prevention of dropped hardware in hard-to-reach areas. Available in three styles: ¼ perimeter, ¾ perimeter and full perimeter. The popular "C" shaped ¾ plates can be slipped over the wire bundle just before installation. Two finishes are available: chem film (chromate conversion coating) or epoxy primer. Passivated stainless steel clinch nuts, 6061 aluminum alloy plate.



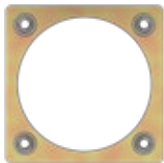
Nut Plate with Chem Film



Nut Plate with Epoxy Primer

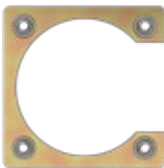


FULL PERIMETER NUT PLATES FOR AS81703 SERIES 3 CONNECTORS



Shell Size	Part Number		A		B Max	øC Min		D Max	Threads
	Chem Film	Epoxy Primer	±.005 (0.1) in	mm		in	mm		
7	M85049/94-10	M85049/94-10-A	.719	18.3	1.034	26.3	.685 17.4	.166 4.2	4-40
12	M85049/94-12	M85049/94-12-A	.812	20.6	1.119	28.4	.820 20.8	.166 4.2	4-40
19	M85049/94-14	M85049/94-14-A	.906	23.0	1.213	30.8	.945 24.0	.166 4.2	4-40
27	M85049/94-16	M85049/94-16-A	.969	24.6	1.295	32.9	1.070 27.2	.166 4.2	4-40

¾ PERIMETER NUT PLATES FOR AS81703 SERIES 3 CONNECTORS



Shell Size	Part Number		A		B Max	øC Min		D Max	E		Threads
	Chem Film	Epoxy Primer	±.005 (0.1) in	mm		in	mm		±.030 (0.8) in	mm	
3	M85049/95-3A	M85049/95-3A-A	.625	15.9	.940 23.9	.626 15.9	.166 4.2	.312 7.9	.325 8.3	4-40	
7	M85049/95-7A	M85049/95-7A-A	.719	18.3	1.034 26.3	.673 17.1	.166 4.2	.433 11.0	4-40		
12	M85049/95-12A	M85049/95-12A-A	.812	20.6	1.119 28.4	.840 21.3	.166 4.2	.530 13.5	4-40		
19	M85049/95-14A	M85049/95-14A-A	.906	23.0	1.213 30.8	.969 24.6	.166 4.2	.624 15.8	4-40		
27	M85049/95-16A	M85049/95-16A-A	.969	24.6	1.295 32.9	1.079 27.4	.166 4.2	.687 17.4	4-40		
37	M85049/95-37A	M85049/95-37A-A	1.187	30.2	1.515 38.5	1.266 32.2	.166 4.2	.874 22.2	4-40		
61	M85049/95-61A	M85049/95-61A-A	1.437	36.5	1.827 46.4	1.579 40.1	.166 4.2	1.062 40.7	4-40		

¼ PERIMETER NUT PLATES FOR AS81703 SERIES 3 CONNECTORS



Shell Size	Part Number		A		B Max	C Min	D Max	E		Threads
	Chem Film	Epoxy Primer	±.005 (0.1) in	mm				in	mm	
3	M85049/96-3	M85049/96-8-A	.625	15.9	.940 23.9	.320 8.1	.166 4.2	.312 7.9	.310 7.8	4-40
7	M85049/96-7	M85049/96-10-A	.719	18.3	1.034 26.3	.329 8.4	.166 4.2	.359 9.1	.308 7.8	4-40
12	M85049/96-12	M85049/96-12-A	.812	20.6	1.213 30.8	.410 24.6	.166 4.2	.406 10.3	.306 7.8	4-40
19	M85049/96-14	M85049/96-14-A	.906	23.0	1.295 32.9	.492 27.4	.166 4.2	.453 11.5	.306 7.8	4-40
27	M85049/96-16	M85049/96-16-A	.969	24.6	1.421 36.1	.532 30.6	.166 4.2	.484 12.3	.308 7.8	4-40
37	M85049/96-37	M85049/96-37-A	1.187	30.2	1.515 38.5	.625 15.9	.166 4.2	.593 4.0	.324 8.2	4-40
61	M85049/96-61	M85049/96-61-A	1.437	36.5	1.827 46.4	.732 18.6	.166 4.2	.718 4.8	.386 9.8	4-40