

Series 62 Saddle Clamps

for MIL-DTL-26500 Connectors

620ES050 Saddle Clamp, Direct Coupling



Saddle clamp fits MIL-DTL-26500 Class F, G and R connectors. Aluminum with stainless steel screws. Direct coupling.

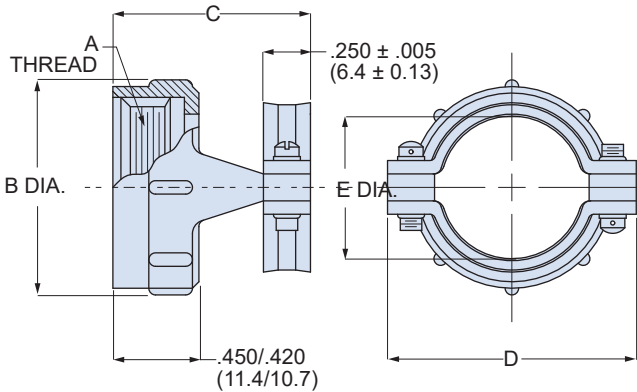
Adapter Code E
 This accessory fits MIL-DTL-26500 connectors

PART NUMBER

	620ES050	NF	22
Base P/N	620ES050		
Material/Finish	C Black Anodize M Electroless Nickel MT Nickel-PTFE NF Olive Drab Cadmium ZR Black Zinc-Nickel TZ Tin-Zinc		
Shell Size	08 10 12 14 16 18 20 22 24		

MATERIAL/FINISH

Body, saddles: aluminum or SST/ finish per PN
 Screws, washers: stainless steel/passivated



Shell Size	A Thread UNEF-2B	øB Max		C Max		D Max		E ± .015(0.38)	
		in	mm	in	mm	in	mm	in	mm
08	0.4375-28	.606	15.4	.950	24.1	.742	18.8	.186	4.7
10	0.5625-24	.731	18.6	.950	24.1	.873	22.2	.270	6.9
12	0.7500-24	.919	23.3	.950	24.1	.972	24.7	.400	10.2
14	0.8125-20	.981	24.9	1.185	30.1	1.078	27.4	.460	11.7
16	0.9375-20	1.106	28.1	1.185	30.1	1.242	31.5	.610	15.5
18	1.0625-18	1.231	31.3	1.185	30.1	1.345	34.2	.690	17.5
20	1.1875-18	1.481	37.6	1.185	30.1	1.472	37.4	.816	20.7
22	1.3125-18	1.356	34.4	1.185	30.1	1.597	40.6	.940	23.9
24	1.4375-18	1.606	40.8	1.185	30.1	1.724	43.8	1.066	27.1