

# Series 62 Saddle Clamps

for MIL-DTL-38999 Series I and II Connectors

## 620F\*038 Saddle Clamp, Self-Locking



**Self-Locking**

**Self-locking. Full radius saddles.** Open frame saddle clamp fits MIL-DTL-38999 Series I and II connectors. For use with open bundle wiring harnesses and closed bundle (jacketed) harnesses. Anti-decoupling mechanism provides audible detented coupling and prevents backoff under high vibration. Die cast saddle bars have self-locking stainless steel clinch nuts. Full radius saddles are intended to be fully closed (bottomed onto frame). Wrap wire bundle with silicone tape so that the saddles, when fully closed, securely grip the wire bundle. Straight, 45° and 90° profiles. Aluminum or stainless steel.

**Adapter Code **F****

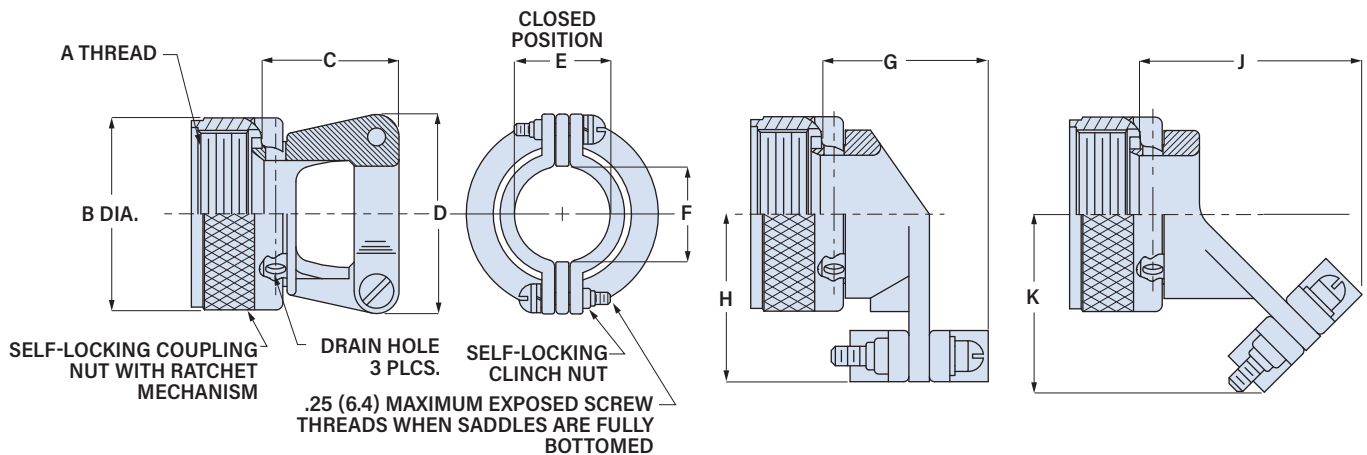
This accessory fits these connectors:  
MIL-DTL-38999 Series I and Series II

### MATERIAL/FINISH

Body, saddles, coupling nut: Aluminum or SST  
Screws, washers, clinch nuts: stainless steel  
Anti-decoupling spring: thermoplastic  
(aluminum clamps) or SST (SST clamps)

### PART NUMBER

		<b>620FS038</b>	<b>MT</b>	<b>16</b>						
<b>Base P/N</b>	<b>620FS038</b>	Straight								
	<b>620FB038</b>	45°								
	<b>620FA038</b>	90°								
<b>Material/Finish</b>	<b>C</b>	Alum/Black Anodize								
	<b>M</b>	Alum/Electroless Nickel								
	<b>MT</b>	Alum/Nickel-PTFE								
	<b>NF</b>	Alum/Olive Drab Cadmium								
	<b>ZR</b>	Alum/Black Zinc-Nickel								
	<b>TZ</b>	Alum/Tin-Zinc								
	<b>ZI</b>	SST/Passivated								
<b>Size Code</b>		<b>Shell Size</b>								
	38999 Series I	9	11	13	15	17	19	21	23	25
	38999 Series II	8	10	12	14	16	18	20	22	24
	Size Code	<b>08</b>	<b>10</b>	<b>12</b>	<b>14</b>	<b>16</b>	<b>18</b>	<b>20</b>	<b>22</b>	<b>24</b>



Shell Size	A Thread UNEF-2B	øB Max in	mm	C Max in	mm	D Max in	mm	E ± .031 (0.79) in	mm	F Max in	mm	G Max in	mm	H Max in	mm	J Max in	mm	K Max in	mm
8/9	0.4375-28	.858	21.8	.840	21.3	.98	24.9	.219	5.6	.22	5.6	1.06	26.9	.91	23.1	1.32	33.5	.90	22.9
10/11	0.5625-24	.984	25.0	.960	24.4	1.05	26.7	.264	6.7	.27	6.9	1.10	27.9	.97	24.6	1.36	34.5	.97	24.6
12/13	0.6875-24	1.157	29.4	1.100	27.9	1.20	30.5	.344	8.7	.35	8.9	1.18	30.0	1.06	26.9	1.43	36.3	1.05	26.7
14/15	0.8125-20	1.279	32.5	1.100	27.9	1.30	33.0	.460	11.7	.47	11.9	1.30	33.0	1.16	29.5	1.48	37.6	1.11	28.2
16/17	0.9375-20	1.406	35.7	1.230	31.2	1.44	36.6	.545	13.8	.55	14.0	1.38	35.1	1.34	34.0	1.58	40.1	1.18	30.0
18/19	1.0625-18	1.516	38.5	1.410	35.8	1.56	39.6	.615	15.6	.62	15.7	1.46	37.1	1.41	35.8	1.70	43.2	1.23	31.2
20/21	1.1875-18	1.642	41.7	1.510	38.4	1.69	42.9	.698	17.7	.70	17.8	1.58	40.1	1.53	38.9	1.74	44.2	1.29	32.8
22/23	1.3125-18	1.768	44.9	1.660	42.2	1.77	45.0	.780	19.8	.78	19.8	1.62	41.1	1.66	42.2	1.79	45.5	1.37	34.8
24/25	1.4375-18	1.869	47.5	1.760	44.7	1.89	48.0	.850	21.6	.85	21.6	1.69	42.9	1.78	45.2	1.83	46.5	1.42	36.1