

# Series 62 Saddle Clamps

for MIL-DTL-28840 Connectors

## 620G\*051 Saddle Clamp, General Purpose



**Aluminum or SST. For jacketed cable.** Saddle clamp fits MIL-DTL-28840 and Glenair Series 901 connectors. Stainless steel screws and lock washers. Straight, 45° and 90° profiles.

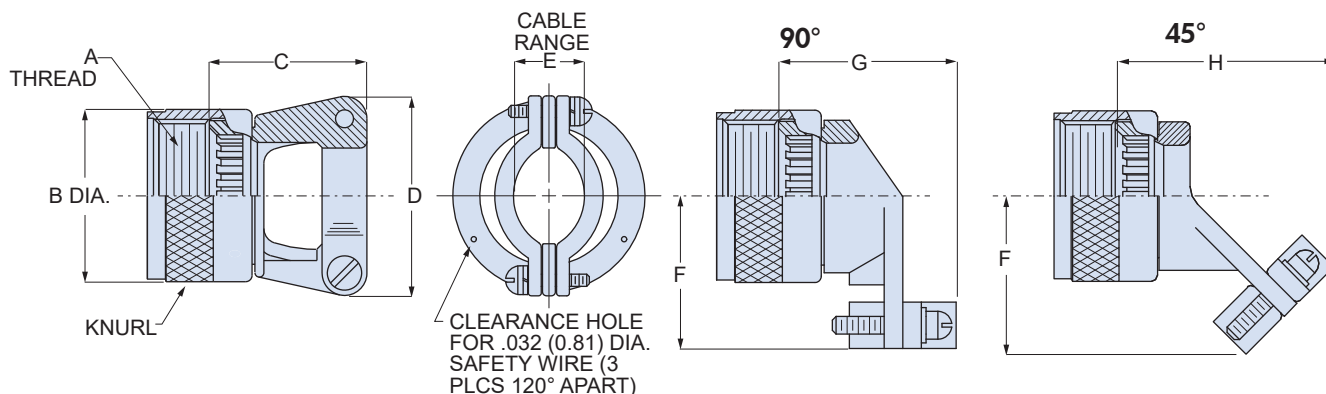
**Adapter Code **G****  
 This accessory fits MIL-DTL-28840 and Glenair Series 901 Connectors

### PART NUMBER

		<b>620GS051</b>	<b>Z1</b>	<b>23</b>						
<b>Base P/N</b>	<b>620GS051</b>	Straight								
	<b>620GA051</b>	90°								
	<b>620GB051</b>	45°								
<b>Material/Finish</b>	<b>M</b>	Alum/Electroless Nickel								
	<b>NF</b>	Alum/Cadmium, Olive Drab								
	<b>ZR</b>	Alum/Black Zinc-Nickel								
	<b>TZ</b>	Alum/Tin-Zinc								
	<b>Z1</b>	SST/Passivated								
	<b>ZU</b>	SST/Cadmium, Black								
	<b>ZTZ</b>	SST/Tin-Zinc								
<b>Size Code</b>	<b>Shell Size</b>	11	13	15	17	19	23	25	29	33
		A	B	C	D	E	F	G	H	J
	<b>Size Code</b>	<b>11</b>	<b>13</b>	<b>15</b>	<b>17</b>	<b>19</b>	<b>23</b>	<b>25</b>	<b>29</b>	<b>33</b>

### MATERIAL/FINISH

Body, saddles, coupling nut: aluminum or SST/ finish per PN  
 Screws, washers: stainless steel/passivated



Size Code	Shell Size	A Thread Class 2B	øB Max.		C Max.		D Max.		E Cable Entry				F Max.		G Max.		H Max.	
			in	mm	in	mm	in	mm	in	mm	in	mm	in	mm	in	mm		
11	A (11)	.750-20 UNEF	.94	23.9	1.091	27.7	.903	22.94	.177	4.5	.286	7.3	.929	23.6	1.071	27.2	1.650	23.6
13	B (13)	.875-20 UNEF	1.07	27.2	1.091	27.7	.977	24.82	.177	4.5	.286	7.3	.929	23.6	1.071	27.2	1.650	23.6
15	C (15)	1.000-20 UNEF	1.21	30.7	1.091	27.7	1.151	29.24	.250	6.4	.416	10.6	1.056	26.8	1.280	32.5	1.765	44.6
17	D (17)	1.125-18 UNEF	1.41	35.7	1.206	30.6	1.281	32.54	.291	7.4	.476	12.1	1.233	31.3	1.392	35.4	1.874	47.6
19	E (19)	1.250-18 UNEF	1.53	38.9	1.320	33.5	1.406	35.71	.348	8.8	.626	15.9	1.293	32.9	1.517	38.5	1.918	48.7
23	F (23)	1.438-18 UNEF	1.73	43.9	1.445	36.7	1.576	40.03	.429	10.9	.831	21.1	1.358	34.5	1.642	41.7	1.962	49.8
25	G (25)	1.562-18 UNEF	1.82	46.2	1.570	39.9	1.666	42.32	.523	13.3	.956	24.3	1.420	36.1	1.767	44.9	2.006	51.0
29	H (29)	1.875-16 UN	2.14	54.4	1.721	43.7	2.046	51.97	.643	16.3	1.081	27.5	1.634	41.5	1.905	48.4	2.301	58.5
33	J (33)	2.062-16 UNS	2.33	59.1	1.908	48.5	2.209	56.11	.704	17.9	1.187	30.2	1.859	47.2	1.968	50.0	2.389	60.7