

Series 62 Saddle Clamps

for MIL-DTL-38999 Series III and IV Connectors

620H*038 Saddle Clamp, Self-Locking



Self-Locking

Self-locking. Full radius saddles. Open frame saddle clamp fits MIL-DTL-38999 Series III and IV connectors. For use with open bundle wiring harnesses and closed bundle (jacketed) harnesses. Anti-decoupling mechanism provides audible detented coupling and prevents backoff under high vibration. Die cast saddle bars have self-locking stainless steel clinch nuts. Full radius saddles are intended to be fully closed (bottomed onto frame). Wrap wire bundle with silicone tape so that the saddles, when fully closed, securely grip the wire bundle. Straight, 45° and 90° profiles. Aluminum or stainless steel.

PART NUMBER

620HS038 MT 23

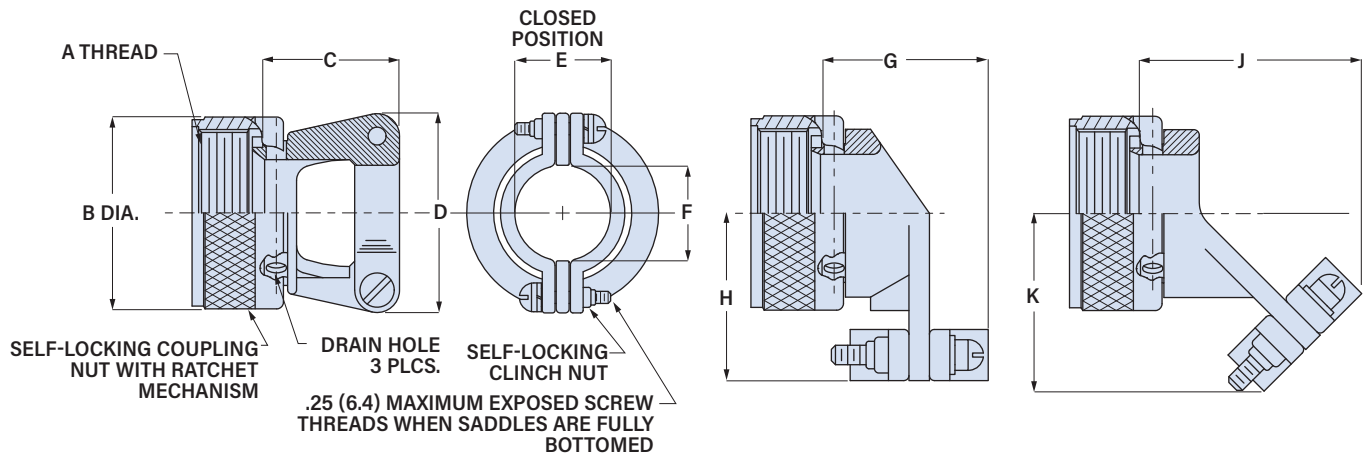
Adapter Code H

This accessory fits these connectors:
MIL-DTL-38999 Series III and Series IV

MATERIAL/FINISH

Body, saddles, coupling nut: Aluminum or SST
Screws, washers, clinch nuts: stainless steel
Anti-decoupling spring: thermoplastic (aluminum clamps) or SST (SST clamps)

Base P/N	620HS038	Straight
	620HB038	45°
	620HA038	90°
Material/Finish	C	Alum/Black Anodize
	M	Alum/Electroless Nickel
	MT	Alum/Nickel-PTFE
	NF	Alum/Olive Drab Cadmium
	ZR	Alum/Black Zinc-Nickel
	TZ	Alum/Tin-Zinc
ZI	SST/Passivated	
Size Code	Shell Size	9 11 13 15 17 19 21 23 25
	Size Code	09 11 13 15 17 19 21 23 25



Shell Size	A Thread	øB Max		C Max		D Max		E ±.031 (0.79)		F Max		G Max		H Max		J Max		K Max	
		in	mm	in	mm	in	mm	in	mm	in	mm	in	mm	in	mm	in	mm	in	mm
9 (A)	M12X1.0-6H	.858	21.8	.840	21.3	.98	24.9	.219	5.6	.22	5.6	1.06	26.9	.91	23.1	1.32	33.5	.90	22.9
11 (B)	M15X1.0-6H	.984	25.0	.960	24.4	1.05	26.7	.264	6.7	.27	6.9	1.10	27.9	.97	24.6	1.36	34.5	.97	24.6
13 (C)	M18X1.0-6H	1.157	29.4	1.100	27.9	1.20	30.5	.344	8.7	.35	8.9	1.18	30.0	1.06	26.9	1.43	36.3	1.05	26.7
15 (D)	M22X1.0-6H	1.279	32.5	1.100	27.9	1.30	33.0	.460	11.7	.47	11.9	1.30	33.0	1.16	29.5	1.48	37.6	1.11	28.2
17 (E)	M25X1.0-6H	1.406	35.7	1.230	31.2	1.44	36.6	.545	13.8	.55	14.0	1.38	35.1	1.34	34.0	1.58	40.1	1.18	30.0
19 (F)	M28X1.0-6H	1.516	38.5	1.410	35.8	1.56	39.6	.615	15.6	.62	15.7	1.46	37.1	1.41	35.8	1.70	43.2	1.23	31.2
21 (G)	M31X1.0-6H	1.642	41.7	1.510	38.4	1.69	42.9	.698	17.7	.70	17.8	1.58	40.1	1.53	38.9	1.74	44.2	1.29	32.8
23 (H)	M34X1.0-6H	1.768	44.9	1.660	42.2	1.77	45.0	.780	19.8	.78	19.8	1.62	41.1	1.66	42.2	1.79	45.5	1.37	34.8
25 (J)	M37X1.0-6H	1.869	47.5	1.760	44.7	1.89	48.0	.850	21.6	.85	21.6	1.69	42.9	1.78	45.2	1.83	46.5	1.42	36.1