

Series 62 Saddle Clamps

for MIL-DTL-38999 Series III and IV Connectors

620HS090 Saddle Clamp, Expanded Clearance for #8 Sealing Boots

Self-Locking



Self-locking. Full radius saddles. Extra clearance for #8 sealing boots. Extended frame saddle clamp fits MIL-DTL-38999 Series III and IV connectors. Clamp has enlarged inside diameter and longer frame to provide clearance for size 8 coax/twinax/quadrax/octaxial contacts with sealing boots. Extra clearance helps prevent contact splay and damage. Optional electric organizer adds extra anti-splay protection. Full radius saddle bars have self-locking SST clinch nuts. Anti-decoupling mechanism provides audible detented coupling and prevents backoff under high vibration.

Adapter Code **H**

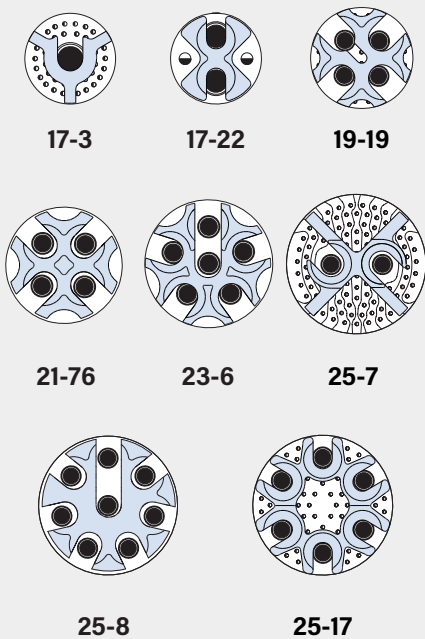
This accessory fits these connectors:
MIL-DTL-38999 Series III and Series IV

MATERIAL/FINISH

Body, saddles, coupling nut: aluminum or SST, finish per PN build
Organizer: thermoplastic
Screws, washers, clinch nuts: stainless steel
Anti-decoupling spring: high temperature thermoplastic (aluminum clamps) or SST (SST clamps)

ORGANIZER BUSHING

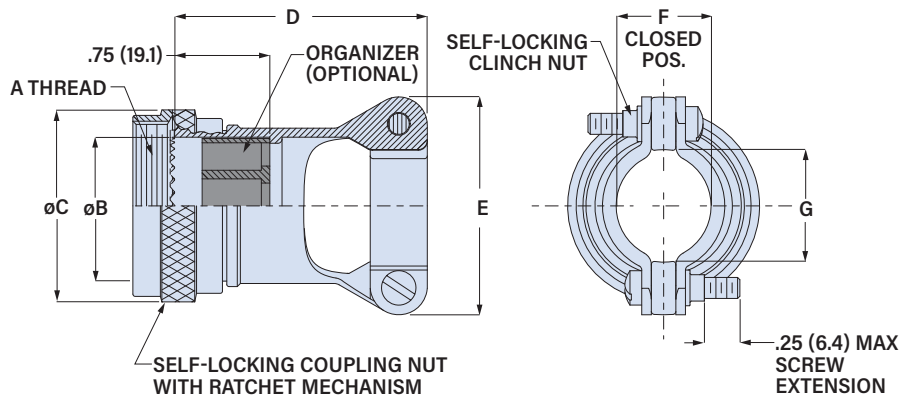
Optional organizer bushing provides additional protection against contact splay and mating damage. Bushing fits MIL-DTL-38999/62 sealing boots. High temperature PEI thermoplastic, black.



PART NUMBER

620HS090 ME 19

Base P/N	620HS090					
Material/Finish	ME	Alum/ Electroless Nickel				
	MT	Alum/ Nickel-PTFE				
	NF	Alum/ Olive Drab Cadmium				
	ZR	Alum/ Black Zinc-Nickel				
	TZ	Alum/ Tin-Zinc				
	ZI	SST/ Passivated				
Shell Size and Arrangement	Shell Size /Arrang.	Shell Size	Organizer Bushing	Shell Size /Arrang.	Shell Size	Organizer Bushing
	09	9 (A)	No	21	21 (G)	No
	11	11 (B)	No	21-76	21 (G)	21-76
	13	13 (C)	No	23	23 (H)	No
	15	15 (D)	No	23-6	23 (H)	23-6
	17	17 (E)	No	25	25 (J)	No
	17-3	17 (E)	17-3	25-7	25 (J)	25-7
	17-22	17 (E)	17-22	25-8	25 (J)	25-8
	19	19 (F)	No	25-17	25 (J)	25-17
	19-19	19 (F)	19-19			



Shell Size	A Thread	øB		øC Max		D		E Max		F		G Min	
		in	mm	in	mm	in	mm	in	mm	in	mm	in	mm
9 (A)	M12X1.0-6H	.372	9.4	.858	21.8	1.25	31.8	.98	24.9	.219	5.6	.22	5.6
11 (B)	M15X1.0-6H	.470	11.9	.984	25.0	1.31	33.3	1.05	26.7	.264	6.7	.27	6.9
13 (C)	M18X1.0-6H	.584	14.8	1.157	29.4	1.38	35.1	1.20	30.5	.344	8.7	.35	8.9
15 (D)	M22X1.0-6H	.709	18.0	1.279	32.5	1.44	36.6	1.30	33.0	.460	11.7	.47	11.9
17 (E)	M25X1.0-6H	.834	21.2	1.406	35.7	1.50	38.1	1.44	36.6	.545	13.8	.55	14.0
19 (F)	M28X1.0-6H	.940	23.9	1.516	38.5	1.69	42.9	1.56	39.6	.615	15.6	.62	15.7
21 (G)	M31X1.0-6H	1.065	27.1	1.642	41.7	1.75	44.5	1.69	42.9	.698	17.7	.70	17.8
23 (H)	M34X1.0-6H	1.190	30.2	1.768	44.9	1.81	46.0	1.77	45.0	.780	19.8	.78	19.8
25 (J)	M37X1.0-6H	1.320	33.5	1.869	47.5	1.88	47.8	1.89	48.0	.850	21.6	.85	21.6