

# Series 65 Dummy Receptacles

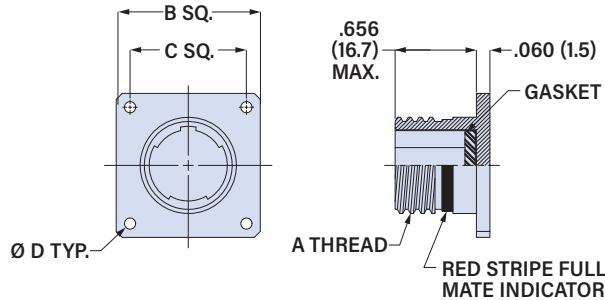
for Series 805 Mighty Mouse and Series 806 Mil-Aero Connectors

## 657-079, 650-088

### 657-079 DUMMY RECEPTACLE FOR SERIES 805 MIGHTY MOUSE CONNECTORS



Use dummy storage receptacle to secure and protect unused plugs. 657-079 receptacle accommodates Glenair's Series 805 Mighty Mouse threaded plug connectors. Fluorosilicone gasket.



**TABLE 1 FINISH CODES**

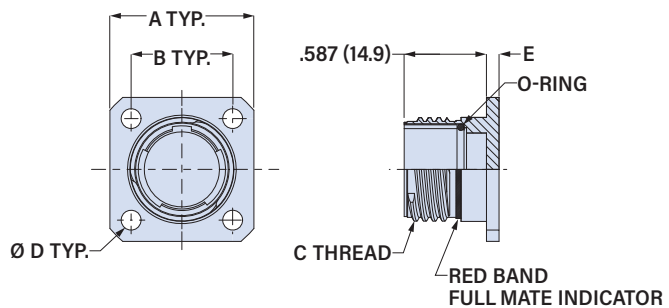
Aluminum	Stainless Steel
<b>C</b> Black Anodize	<b>Z1</b> Passivate
<b>M</b> Electroless Nickel	
<b>NF</b> Olive Drab Cadmium	
<b>MT</b> Nickel-PTFE	
<b>ZR</b> Black Zinc-Nickel	
<b>TZ</b> Tin-Zinc	

Shell Size	Part Number * = Finish Code from Table 1	A Thread	B Sq.		C Sq.		D	
			±.015 (0.4) In.	±.015 (0.4) mm.	±.015 (0.4) In.	±.015 (0.4) mm.	±.015 (0.4) In.	±.015 (0.4) mm.
8	<b>657-079*8</b>	.5000-1P-.3L-TS-2A	.850	21.6	.660	16.8	.094	2.4
9	<b>657-079*9</b>	.5625-1P-.3L-TS-2A	.913	23.2	.723	18.4	.094	2.4
10	<b>657-079*10</b>	.6250-1P-.3L-TS-2A	.975	24.8	.785	19.9	.094	2.4
11	<b>657-079*11</b>	.6875-1P-.3L-TS-2A	1.039	26.4	.848	21.5	.094	2.4
12	<b>657-079*12</b>	.7500-1P-.3L-TS-2A	1.099	27.9	.909	23.1	.094	2.4
13	<b>657-079*13</b>	.8125-1P-.3L-TS-2A	1.163	29.5	.973	24.7	.094	2.4
15	<b>657-079*15</b>	.9375-1P-.3L-TS-2A	1.288	32.7	1.058	26.9	.128	3.3
18	<b>657-079*18</b>	1.1250-1P-.3L-TS-2A	1.475	37.5	1.255	31.9	.128	3.3
19	<b>657-079*19</b>	1.1870-1P-.3L-TS-2A	1.537	39.0	1.327	33.7	.128	3.3
21	<b>657-079*21</b>	1.3125-1P-.3L-TS-2A	1.663	42.2	1.452	36.9	.128	3.3
23	<b>657-079*23</b>	1.4375-1P-.3L-TS-2A	1.787	45.4	1.570	39.9	.128	3.3

### 650-088 DUMMY RECEPTACLE FOR SERIES 806 MIL-AERO CONNECTORS



Use dummy storage receptacle to secure and protect unused plugs. 650-088 receptacle accommodates Glenair's Series 806 Mil-Aero threaded plug connectors.



**TABLE 1 FINISH CODES**

Aluminum	Stainless Steel
<b>C</b> Black Anodize	<b>Z1</b> Passivate
<b>ME</b> Electroless Nickel	<b>ZL</b> Nickel
<b>NF</b> Olive Drab Cadmium	
<b>MT</b> Nickel-PTFE	
<b>ZR</b> Black Zinc-Nickel	
<b>TZ</b> Tin-Zinc	

Shell Size	Part Number * = Finish Code from Table 1	A		B		C Thread	D		E	
		±.015 (0.4) In.	±.015 (0.4) mm.	±.015 (0.4) In.	±.015 (0.4) mm.		±.015 (0.4) In.	±.015 (0.4) mm.		
8	<b>650-088*8</b>	.822	20.9	.531	13.5	.5000-.067P-.2L-TS-2A	.128	3.3	.100	2.5
9	<b>650-088*9</b>	.885	22.5	.594	15.1	.5625-.067P-.2L-TS-2A	.128	3.3	.100	2.5
10	<b>650-088*10</b>	.913	23.2	.625	15.9	.6250-.067P-.2L-TS-2A	.128	3.3	.100	2.5
11	<b>650-088*11</b>	.944	24.0	.670	17.0	.6875-.067P-.2L-TS-2A	.128	3.3	.100	2.5
12	<b>650-088*12</b>	1.040	26.4	.765	19.4	.7500-.067P-.2L-TS-2A	.128	3.3	.100	2.5
14	<b>650-088*14</b>	1.133	28.8	.859	21.8	.8750-.067P-.2L-TS-2A	.128	3.3	.100	2.5
16	<b>650-088*16</b>	1.227	31.2	.938	23.8	1.0000-.067P-.2L-TS-2A	.128	3.3	.100	2.5
18	<b>650-088*18</b>	1.320	33.5	1.016	25.8	1.1250-.067P-.2L-TS-2A	.128	3.3	.100	2.5
20	<b>650-088*20</b>	1.444	36.7	1.109	28.2	1.2500-.067P-.2L-TS-2A	.154	3.9	.125	3.2
22	<b>650-088*22</b>	1.570	39.9	1.203	30.6	1.3750-.067P-.2L-TS-2A	.154	3.9	.125	3.2
24	<b>650-088*24</b>	1.696	43.1	1.312	33.3	1.5000-.067P-.2L-TS-2A	.154	3.9	.125	3.2