

Series 66 Protective Covers

for Series 970 PowerTrip® Connectors

660PS098 Receptacle Cover

PowerTrip Receptacle Cover



660PS098 protective cover fits Glenair Series 970 PowerTrip receptacle connectors. Aluminum, stainless steel or marine bronze. Silicone gasket, stainless steel fittings.

TABLE 1 MATERIAL / FINISH

Aluminum		Stainless Steel	
ME	Electroless Nickel	Z1	Passivate
MT	Nickel-PTFE	ZMT	Nickel-PTFE
NF	Olive Drab Cadmium	Marine Bronze	
ZR	Black Zinc-Nickel	AB	Unplated
TZ	Tin-Zinc		

TABLE 2 ATTACHMENT TYPE

D	SST Bead Chain .125 (3.2) diameter, size 6, -65 to +200 °C
F	Wire Rope, Blue Nylon Jacket 6/6 nylon over stainless steel rope, fair flexibility, good abrasion resistance, -55 to +100 °C
G	Black Nylon Rope Very flexible, good abrasion and fuel resistance, .094 (2.4) diameter, -55 to +100 °C
H	Wire Rope, Clear FEP Jacket Clear FEP jacket over SST rope, fair flexibility, good abrasion resistance, .100" diameter, -65 to +200 °C
S	Sash Chain #8 sash chain, stainless steel. Length tolerance is ± one link. 280 (71)
SK	Nylon Rope with Slip Knot Very flexible, good abrasion and fuel resistance, .094 (2.4) diameter. Length includes .5" (13mm) dia. loop, -55 to +100 °C
T	SST Wire Rope, No Jacket Good flexibility, good abrasion resistance, .047 (1.2) diameter, passivated, -65 to +200 °C
U	Wire Rope, Black Polyurethane Stainless steel rope with black polyurethane coating, flexible, excellent abrasion resistance and resistance to fuels, .080" (2mm) diameter, -55 to +125 °C

PART NUMBER

660PS098	ME	20	H	5	-04
Base P/N	660PS098				
Material/Finish	See Table 1				
Shell Size	18 20 24 28 32 36 40				
Attachment Type	WN No Attachment See Table 2 for Attachment Types				
Attachment Length	Omit for Attachment Type N Length in One Inch Increments				
Attachment Ring	Omit for Attachment Types N and SK -00 No Ring See Table 3 for Attachment Ring Codes				

Shell Size	E Thread	ø F Max In.	mm.
18	1.125-1P-.3L-TS-2B	1.417	36.0
20	1.250-1P-.3L-TS-2B	1.535	39.0
24	1.500-1P-.3L-TS-2B	1.772	45.0
28	1.750-1P-.3L-TS-2B	2.007	51.0
32	2.000-1P-.3L-TS-2B	2.244	57.0
36	2.250-1P-.3L-TS-2B	2.480	63.0
40	2.500-1P-.3L-TS-2B	2.716	69.0

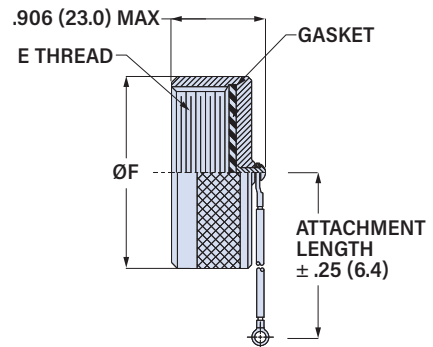


TABLE 3 ATTACHMENT RING

EYELET		STYLE A RING		STYLE B RING		SPLIT RING	
Code	Eyelet I.D. ± .010 (0.3)	Code	Ring I.D. ± .015 (0.4)	Code	Ring I.D. ± .015 (0.4)	Code	Ring I.D. ± .015 (0.4)
-06	.125 (3.2)	-095	.312 (7.9)	-10	.593 (15.1)	-50	.425 (10.8)
-01	.140 (3.6)	-100	.391 (9.9)	-12	.718 (18.2)	-52	.485 (12.3)
-09	.156 (4.0)	-101	.516 (13.1)	-13	.765 (19.4)	-54	.640 (16.3)
-05	.167 (4.2)	-103	.641 (16.3)	-14	.844 (21.4)	-56	.750 (19.1)
-02	.182 (4.6)	-104	.708 (18.0)	-15	.890 (22.6)	-58	.890 (22.6)
-03	.191 (4.9)	-105	.766 (19.5)	-17	1.015 (25.8)	-60	1.015 (25.8)
-04	.197 (5.0)	-106	.896 (22.8)	-19	1.140 (29.0)	-62	1.095 (27.8)
-07	.218 (5.5)	-107	1.016 (25.8)	-20	1.203 (30.6)	-64	1.130 (28.7)
		-108	1.141 (29.0)	-21	1.265 (32.1)	-66	1.250 (31.8)
		-208	1.203 (30.6)	-22	1.343 (34.1)	-68	1.350 (34.3)
		-109	1.266 (32.2)	-24	1.484 (37.7)	-70	1.375 (34.9)
		-110	1.391 (35.3)	-27	1.640 (41.7)	-72	1.485 (37.7)
		-111	1.521 (38.6)	-29	1.765 (44.8)	-74	1.625 (41.3)
		-112	1.641 (41.7)	-30	1.890 (48.0)	-76	1.750 (44.5)
		-113	1.766 (44.9)	-31	1.953 (49.6)	-80	1.980 (50.3)
		-114	1.891 (48.0)	-33	2.077 (52.8)	-84	2.235 (56.8)
		-115	2.078 (52.8)	-36	2.187 (55.5)	-86	2.310 (58.7)
		-116	2.406 (61.1)	-40	2.406 (61.1)	-88	2.475 (62.9)
		-117	2.510 (63.8)	-44	2.656 (67.5)	-90	2.655 (67.4)
		-WS					
		-WS					
		Black 6/6 nylon cable tie 1.77 (45.0) max. wire bundle dia.					