

# Series 66 Protective Covers

for Series 806 Mil-Aero Connectors

## 667-440 Receptacle Cover

### 806 Receptacle Cover



**TABLE 1 MATERIAL / FINISH**

Aluminum		Stainless Steel	
<b>C</b>	Black Anodize	<b>Z1</b>	Passivate
<b>ME</b>	Electroless Nickel	<b>ZW</b>	O.D. Cadmium
<b>NF</b>	Olive Drab Cadmium	<b>Composite</b>	
<b>MT</b>	Nickel-PTFE	<b>XMD</b>	Nickel
<b>ZR</b>	Black Zinc-Nickel	<b>XMT</b>	Nickel-PTFE
<b>TZ</b>	Tin-Zinc	<b>XW</b>	O.D. Cadmium
		<b>XB</b>	Unplated Black

**TABLE 2 ATTACHMENT TYPE**

<b>D</b>		<b>SST Bead Chain</b> .125 (3.2) diameter, size 6, -65 to +200 °C
<b>F</b>		<b>Wire Rope, Blue Nylon Jacket</b> 6/6 nylon over stainless steel rope, fair flexibility, good abrasion resistance, -55 to +100 °C
<b>G</b>		<b>Black Nylon Rope</b> Very flexible, good abrasion and fuel resistance, .094 (2.4) diameter, -55 to +100 °C
<b>H</b>		<b>Wire Rope, Clear FEP Jacket</b> Clear FEP jacket over SST rope, fair flexibility, good abrasion resistance, 100" diameter, -65 to +200 °C
<b>S</b>		<b>Sash Chain</b> #8 sash chain, stainless steel. Length tolerance is ± one link .280 (71)
<b>SK</b>		<b>Nylon Rope with Slip Knot</b> Very flexible, good abrasion and fuel resistance, .094 (2.4) diameter. Length includes .5" (13mm) dia. loop, -55 to +100 °C
<b>T</b>		<b>SST Wire Rope, No Jacket</b> Good flexibility, good abrasion resistance, .047 (1.2) diameter, passivated, -65 to +200 °C
<b>U</b>		<b>SST Wire Rope, Black Polyurethane</b> Black polyurethane coating, very flexible, excellent abrasion resistance, .080" (2mm) diameter, -55 to +125 °C

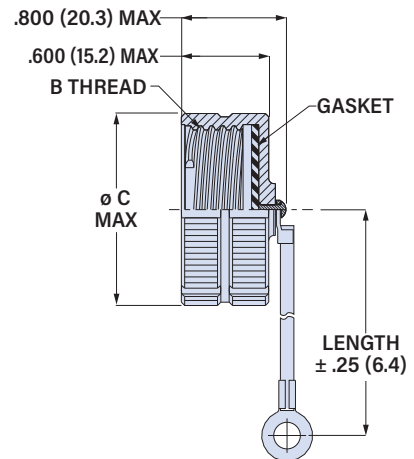
667-440 protective cover fits Glenair Series 806 receptacle connectors. Aluminum, stainless steel, or composite. Stainless steel fittings. Fluorosilicone gasket.

### PART NUMBER

Base P/N	667-440	ZR	14	F	04	-6
<b>Material/Finish</b>	See Table 1					
<b>Shell Size</b>	8 9 10 11 12 14 16 18 20 22 24					
<b>Attachment Type</b>	<b>N</b> No Attachment See Table 2 for Attachment Types					
<b>Attachment Ring</b>	Omit for Attachment Types N and SK <b>00</b> No Ring See Table 3 for Attachment Ring Codes					
<b>Attachment Length</b>	Omit for Attachment Type N Length in One Inch Increments					

**TABLE 3 ATTACHMENT RING**

EYELET	
	<b>Eyelet I.D.</b> ± .010 (0.3)
<b>Code</b>	
<b>04</b>	.125 (3.2)
<b>06</b>	.145 (3.7)
<b>08</b>	.182 (4.6)
<b>10</b>	.197 (5.0)
SOLID RING	
	<b>Ring I.D.</b> ± .015 (0.4)
<b>Code</b>	
<b>12</b>	.423 (10.7)
<b>14</b>	.481 (12.2)
<b>16</b>	.560 (14.2)
<b>18</b>	.600 (15.2)
<b>20</b>	.635 (16.1)
<b>22</b>	.695 (17.7)
<b>24</b>	.715 (18.2)
<b>26</b>	.766 (19.5)
<b>28</b>	.845 (21.5)
<b>30</b>	.885 (22.5)
<b>32</b>	.950 (24.1)
<b>34</b>	1.015 (25.8)
<b>36</b>	1.070 (27.2)
<b>38</b>	1.135 (28.8)
<b>40</b>	1.210 (30.7)
<b>42</b>	1.275 (32.4)
<b>44</b>	1.380 (35.1)
<b>46</b>	1.470 (37.3)
<b>48</b>	1.625 (41.3)
SPLIT RING	
	<b>Ring I.D.</b> ± .015 (0.4)
<b>Code</b>	
<b>50</b>	.432 (11.0)
<b>52</b>	.492 (12.5)
<b>54</b>	.648 (16.5)
<b>56</b>	.757 (19.2)
<b>58</b>	.898 (22.8)
<b>60</b>	1.023 (26.0)
<b>64</b>	1.137 (28.9)
<b>68</b>	1.357 (34.5)



Shell Size	ø C Max In.	ø C Max mm.	B Thread
<b>8</b>	.640	16.3	.5000-.067P-.2L-TS-2B
<b>9</b>	.730	18.5	.5625-.067P-.2L-TS-2B
<b>10</b>	.775	19.7	.6250-.067P-.2L-TS-2B
<b>11</b>	.828	21.0	.6875-.067P-.2L-TS-2B
<b>12</b>	.890	22.6	.7500-.067P-.2L-TS-2B
<b>14</b>	1.030	26.2	.8750-.067P-.2L-TS-2B
<b>16</b>	1.140	30.0	1.0000-.067P-.2L-TS-2B
<b>18</b>	1.280	32.5	1.1250-.067P-.2L-TS-2B
<b>20</b>	1.390	35.3	1.2500-.067P-.2L-TS-2B
<b>22</b>	1.515	38.5	1.3750-.067P-.2L-TS-2B
<b>24</b>	1.710	43.4	1.5000-.067P-.2L-TS-2B