

Series 66 Protective Covers

for MIL-DTL-26482 Connectors

667-472 ProSeal™ Flip Lid Receptacle Cover

M26482 Receptacle Cover



Spring-loaded, waterproof. ProSeal™ flip lid fits MIL-DTL-26482 bayonet receptacles. Fits standard connector jam nut or square flange mounting holes. Snap lid onto connector face for dust-tight and water-tight seal (IP67 rating). Lid remains in open position when fully raised. -40 to +120 °C.

PART NUMBER

		667-472	C	18	T1	W	-59
Base P/N	667-472						
Bracket Finish	See Table 1						
Shell Size	08 10 12 14 16 18 20 22 24						
Panel Thickness	Panel Thickness Code	Square Flange		Jam Nut			
		Shell Size 08-18	Shell Size 20-24	Shell Size 08-18	Shell Size 20-24		
	T0	.000 (Front Mount)		N/A			
	T1	.031 ± .005 (0.8 ± 0.1)	.062 ± .030 (1.6 ± 0.8)	.031 ± .005 (0.8 ± 0.1)	.062 ± .030 (1.6 ± 0.8)		
T2	N/A	.125 ± .030 (3.2 ± 0.8)	.125 ± .030 (3.2 ± 0.8)	.125 ± .030 (3.2 ± 0.8)			
Mounting Type	J Jam Nut (fig. 1) W Square Flange (fig. 2)						
Modification Code	Omit for standard silicone gasket -59 Silver-Filled Silicone EMI Gasket						

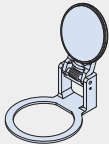
TABLE 1 BRACKET FINISH

C	Black Anodize
M	Electroless Nickel
NF	Olive Drab Cadmium
MT	Nickel-PTFE
ZR	Black Zinc-Nickel
TZ	Tin-Zinc

MOUNTING TYPE

1

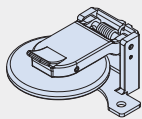
Mounting Type J



Jam Nut

2

Mounting Type W



Square Flange

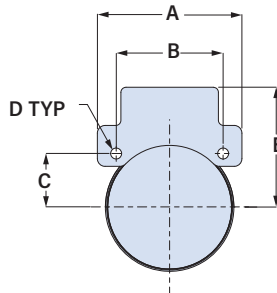
H DIMENSION

Panel Thickness Code	Shell Size	H Dim. Bracket Height				
		Type J Jam Nut		Type W Square Flange		
		In.	mm.	In.	mm.	
T0	08-18	N/A	N/A	.718	18.2	
	20-22	N/A	N/A	.946	24.0	
	24	N/A	N/A	.987	25.1	
T1	.031 ± .005 (0.8 ± 0.1)	08-18	.935	23.7	.656	16.7
	.062 ± .030 (1.6 ± 0.8)	20-22	1.238	31.4	.876	22.3
T2	.125 ± .030 (3.2 ± 0.8)	08-18	.875	22.2	N/A	N/A
		20-22	1.178	29.9	.814	20.7
		24	1.281	32.5	.863	21.9

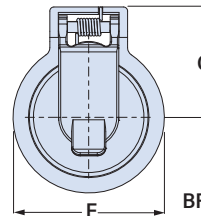
MATERIALS AND FINISHES

Lid, lever arm, gimbal: thermoplastic, black
 Bracket: aluminum, plated per finish code
 Spring, pin, rivet: SST/passivate
 Sleeve: Delrin
 Gasket: silicone
 Conductive gasket: silver-filled silicone

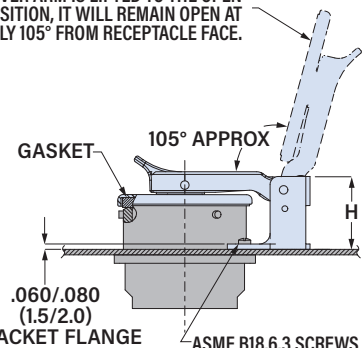
MOUNTING TYPE W SQUARE FLANGE RECEPTACLE



MOUNTING TYPE J JAM NUT RECEPTACLE



WHEN THE LEVER ARM IS LIFTED TO THE OPEN POSITION, IT WILL REMAIN OPEN AT APPROXIMATELY 105° FROM RECEPTACLE FACE.



ASME B18.6.3 SCREWS ARE RECOMMENDED TO AVOID PLUG INTERFERENCE

Shell Size	A Max	B	C	D	E Max	F	G Max							
	in	mm	±.015 (0.4)	±.015 (0.4)	±.010 (0.3)	±.031 (.8)	mm.							
08	.967	24.6	.594	15.0	.297	7.5	.120	3.0	.841	21.4	1.031	26.2	.841	21.4
10	1.061	27.0	.719	18.3	.360	9.1	.120	3.0	.903	22.9	1.031	26.2	.841	21.4
12	1.156	29.4	.812	20.6	.406	10.3	.120	3.0	.966	24.5	1.299	33.0	.966	24.5
14	1.250	31.8	.906	23.0	.453	11.5	.120	3.0	1.034	26.3	1.375	34.9	1.028	26.1
16	1.341	33.9	.969	24.6	.485	12.3	.120	3.0	1.113	28.3	1.560	39.6	1.113	28.3
18	1.467	37.3	1.062	27.0	.531	13.5	.120	3.0	1.149	29.2	1.625	41.3	1.149	29.2
20	1.593	40.5	1.156	29.4	.578	14.7	.120	3.0	1.365	34.7	1.750	44.5	1.365	34.7
22	1.719	43.7	1.250	31.8	.625	15.9	.120	3.0	1.429	36.3	2.000	50.8	1.429	36.3
24	1.871	47.5	1.375	34.9	.688	17.5	.147	3.7	1.491	37.9	2.150	54.6	1.491	37.9