



# Miscellaneous Accessories

Jam Nuts, Splice Rings, Dummy Contacts, Grommet Nuts, Bushings

## MS3186 Hex Jam Nut for M26482, M83723, AS50151, M38999 series I, M26500 and M28840 connectors



MS3186 hex nuts fit jam nut mounting mil spec circular connectors. Available in aluminum, cold-rolled steel and stainless steel in a variety of finishes, these jam nuts have drilled safety wire holes. Jam nuts for bayonet connectors have one or two slots to fit over bayonet pins.

### PART NUMBER

MS3186	A	113	W
Base P/N	MS3186		
Material	<b>A</b> Aluminum <b>C</b> Stainless Steel <b>S</b> Cold-Rolled Steel		
Dash Number	See Table 1		
Finish	See Table 2		

### TABLE 2 FINISH

#### Aluminum (Material Code A)

- A** Black Anodize
- C** Clear Cadmium
- M** Nickel-PTFE
- N** Electroless Nickel
- W** Olive Drab Cadmium
- Z** Black Zinc-Nickel

#### Stainless Steel (Material Code C)

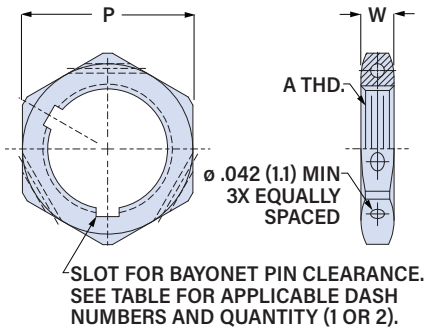
- B** Black Cadmium
- E** Electrodeposited Nickel
- P** Passivate
- W** Olive Drab Cadmium

#### Cold-Rolled Steel (Material Code S)

- T** Tin

### TABLE 1 DASH NUMBER

AS50151		MIL-DTL-26482 M83723 SER. I		MIL-DTL-83723 SERIES III		MIL-DTL-38999 Series I		MIL-DTL-38999 Series II		MIL-DTL-26500		MIL-DTL-28840	
Shell Size	Dash No.	Shell Size	Dash No.	Shell Size	Dash No.	Shell Size	Dash No.	Shell Size	Dash No.	Shell Size	Dash No.	Shell Size	Dash No.
8	<b>101</b>	8	<b>102</b>	8	<b>105</b>	9	<b>106</b>	8	<b>109</b>	8	<b>104</b>	A (11)	<b>109</b>
10	<b>103</b>	10	<b>106</b>	10	<b>107</b>	11	<b>108</b>	10	<b>111</b>	10	<b>107</b>	B (13)	<b>111</b>
12	<b>107</b>	12	<b>109</b>	12	<b>110</b>	13	<b>111</b>	12	<b>113</b>	12	<b>110</b>	C (15)	<b>114</b>
14	<b>109</b>	14	<b>111</b>	14	<b>111</b>	15	<b>113</b>	14	<b>116</b>	14	<b>111</b>	D (17)	<b>116</b>
16	<b>111</b>	16	<b>113</b>	16 <sup>(1)</sup>	<b>112</b>	17	<b>116</b>	16	<b>117</b>	16	<b>117</b>	E (19)	<b>118</b>
18	<b>113</b>	18	<b>116</b>	16 <sup>(2)</sup>	<b>113</b>	19	<b>117</b>	18	<b>120</b>	18	<b>112</b>	F (23)	<b>121</b>
20	<b>116</b>	20	<b>117</b>	18	<b>116</b>	21	<b>120</b>	20	<b>121</b>	20	<b>117</b>	G (25)	<b>122</b>
22	<b>117</b>	22	<b>120</b>	20	<b>117</b>	23	<b>121</b>	22	<b>122</b>	22	<b>119</b>	H (29)	<b>124</b>
24	<b>120</b>	24	<b>121</b>	22	<b>120</b>	25	<b>122</b>	24	<b>123</b>	24	<b>121</b>	J (33)	<b>126</b>
28	<b>122</b>			24	<b>121</b>								
32	<b>125</b>												
36	<b>127</b>												
40	<b>128</b>												
44	<b>129</b>												
48	<b>130</b>												



Dash No.	A Thread	P Hex		Number of Slots	W	
		±.017 (0.4) in	mm		±.017 (0.4) in	mm
<b>101</b>	.500-28 UNEF-2B	.687	17.4	None	.125	3.2
<b>102</b>	.5625-24 UNEF-2B	.750	19.1	2	.125	3.2
<b>103</b>	.625-24 UNEF-2B	.812	20.6	None	.125	3.2
<b>104</b>	.625-20 UN-2B	.812	20.6	2	.125	3.2
<b>105</b>	.625-20 UN-2B	.812	20.6	2	.125	3.2
<b>106</b>	.6875-24 UNEF-2B	.875	22.2	1	.125	3.2
<b>107</b>	.750-20 UNEF-2B	.937	23.8	2	.125	3.2
<b>108</b>	.8125-20 UNEF-2B	1.000	25.4	1	.125	3.2
<b>109</b>	.875-20 UNEF-2B	1.062	27.0	1	.125	3.2
<b>110</b>	.9375-20 UNEF-2B	1.125	28.6	1	.125	3.2
<b>111</b>	1.000-20 UNEF-2B	1.188	30.2	1	.125	3.2
<b>112</b>	1.125-20 UN-2B	1.312	33.3	1	.125	3.2
<b>113</b>	1.125-18 UNEF-2B	1.312	33.3	1	.125	3.2
<b>114</b>	1.1875-18 UNEF-2B	1.375	34.9	None	.125	3.2
<b>115</b>	1.250-20 UN-2B	1.438	36.5	None	.125	3.2

Dash No.	A Thread	P Hex		Number of Slots	W	
		±.017 (0.4) in	mm		±.017 (0.4) in	mm
<b>116</b>	1.250-18 UNEF-2B	1.438	36.5	1	.125	3.2
<b>117</b>	1.375-18 UNEF-2B	1.562	39.7	1	.125	3.2
<b>118</b>	1.4375-18 UNEF-2B	1.625	41.3	None	.125	3.2
<b>119</b>	1.500-20 UN-2B	1.688	42.9	None	.125	3.2
<b>120</b>	1.500-18 UNEF-2B	1.688	42.9	1	.125	3.2
<b>121</b>	1.625-18 UNEF-2B	1.812	46.0	1	.125	3.2
<b>122</b>	1.750-18 UNS-2B	2.000	50.8	1	.125	3.2
<b>123</b>	1.875-16 UN-2B	2.125	54.0	None	.125	3.2
<b>124</b>	1.9375-16 UN-2B	2.187	55.5	None	.189	4.8
<b>125</b>	2.000-18 UNS-2B	2.250	57.2	None	.189	4.8
<b>126</b>	2.125-16 UN-2B	2.375	60.3	None	.189	4.8
<b>127</b>	2.250-16 UN-2B	2.500	63.5	None	.189	4.8
<b>128</b>	2.500-16 UN-2B	2.750	69.9	None	.189	4.8
<b>129</b>	2.750-16 UN-2B	3.000	76.2	None	.189	4.8
<b>130</b>	3.000-16 UN-2B	3.250	82.6	None	.189	4.8