



Series 78 Rubber Covers

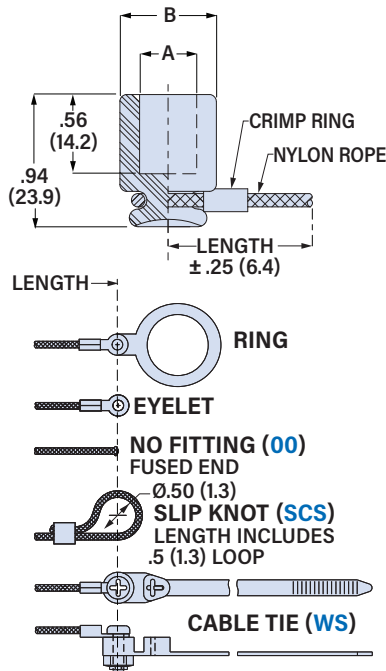
for Series 804 Mighty Mouse Connectors

809-083 Rubber Cover, Plug



MATERIAL / FINISH

Cover: black neoprene (standard), fungus resistant, sulfur-free
 Code C: conductive black neoprene, 100 ohms/sq. minimum
 Code S: silicone, red
 Attachment cord: nylon, black
 Cable tie: black nylon with passivated SST screw and locknut
 Ring, eyelet: SST, black zinc cobalt
 Slip knot sleeve: copper/ black zinc cobalt



Shell Size	øA		øB	
	±.060 (1.5) In.	mm.	±.060 (1.5) In.	mm.
-05	.23	5.8	.56	14.2
-06	.29	7.4	.56	14.2
-07	.36	9.1	.56	14.2
-08	.41	10.4	.68	17.3
-09	.46	11.7	.68	17.3
-10	.54	13.7	.79	20.1
-11	.61	15.5	.94	23.9
-12	.66	16.8	.94	23.9
-14	.78	19.8	1.11	28.2
-15	.84	21.3	1.11	28.2

809-083 covers fit Glenair Series 804 plug connectors. Rugged molded rubber "Mini-Bean" cover protects equipment from dust, damage and water ingress. Fungus-resistant, sulfur-free neoprene with nylon rope. Attachment choices include cable tie, slip knot or ring. Rings are stainless steel with non-reflective black coating. IP67 ingress protection.

PART NUMBER

Base P/N	809-083 Plug Cover, 804 Series	809-083	-12	G	6	-02	S
Shell Size	-05 -06 -07 -08 -09 -10 -11 -12 -14 -15						
Attachment Type	<i>Omit for No Attachment</i> G Nylon Rope, .062 (1.6) diameter						
Attachment Length	<i>Length in 1 inch increments</i>						
Attachment Fitting	-00 No Fitting -SCS Slip Knot -WS Cable Tie <i>See Table 1 for Eyelet and Ring Attachment Fitting Codes</i>						
Material	<i>Omit for non-conductive black neoprene</i> C Conductive Black Neoprene (10 ⁵ Ω/square min) S Silicone, Red						

TABLE 1 ATTACHMENT FITTING

SLIP KNOT

Code SCS
Copper sleeve with black zinc cobalt finish. May be crimped after adjustment to permanently fix location.

CABLE TIE

Code WS
6/6 nylon cable tie with screw and locknut. 1.77 (45.0) max. wire bundle dia. -40 to +85 °C.

RING

Code	Ring I.D. ±.015 (0.4)	Code	Ring I.D. ±.015 (0.4)
-32	.265 (6.7)	-19	.885 (22.5)
-29	.315 (8.0)	-26	.950 (24.1)
-14	.385 (9.8)	-28	1.015 (25.8)
-15	.445 (11.3)	-20	1.070 (27.2)
-33	.510 (13.0)	-21	1.135 (28.8)
-16	.570 (14.5)	-22	1.210 (30.7)
-17	.635 (16.1)	-23	1.275 (32.4)
-18	.695 (17.7)	-30	1.380 (35.1)
-27	.766 (19.5)	-25	1.530 (38.9)
-31	.820 (20.8)		

EYELET

Code	Eyelet I.D. ±.010 (0.3)
-01	.125 (3.2)
-02	.145 (3.7)
-04	.182 (4.6)
-06	.197 (5.0)