

Swing-Arm® Clamps

for MIL-DTL-38999 Series III and IV Connectors

870H001 Swing-Arm Saddle Clamp

Self-Locking

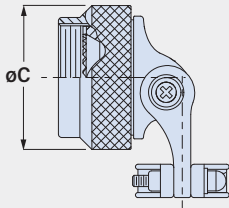


Self-locking, adjustable arms. 870H001 Swing-Arm saddle clamp fits MIL-DTL-38999 Series III and IV connectors. Use with unshielded wire bundles. Adjustable arms pivot to 0°, 45° or 90° positions. Arms have self-locking threaded inserts to withstand high vibration. Full radius saddles have self-locking clinch nuts. Available in two clamp sizes: standard clamp fits most wire bundles, large clamp has increased clearance for oversize wire bundles. Coupling nut has anti-decoupling mechanism for audible detented coupling and prevents backoff under high vibration. Available in composite, aluminum or stainless steel.

Adapter Code H

This accessory fits these connectors:
MIL-DTL-38999 Series III and Series IV

ALUMINUM AND SST VERSIONS



Aluminum and stainless steel versions have round knurled coupling nuts.

PART NUMBER

870H001 XB 23 B

Base P/N **870H001**

Material/Finish

Composite
XB No Finish (Black)

Aluminum
M Electroless Nickel
NF Olive Drab Cadmium
MT Nickel-PTFR
TZ Tin-Zinc
ZR Black Zinc-Nickel

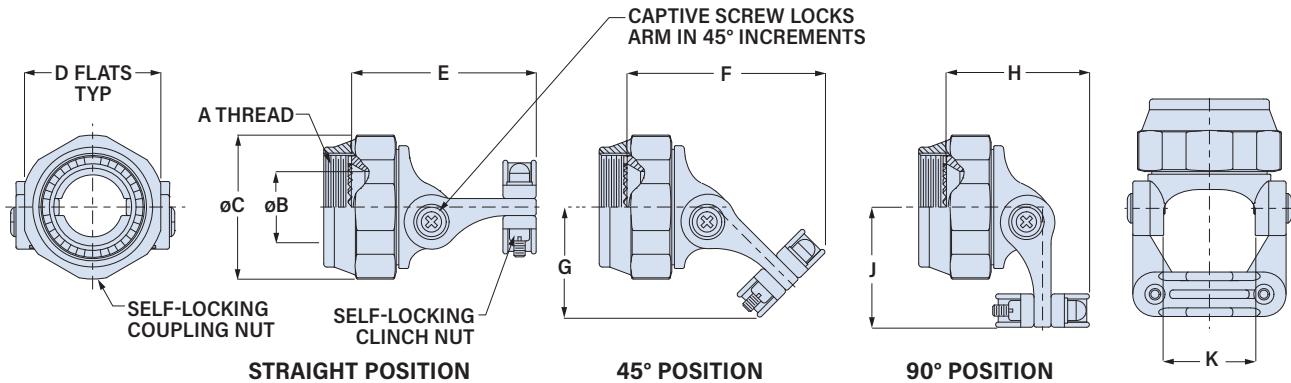
Stainless Steel
ZI Passivated

Shell Size

Shell Size	9	11	13	15	17	19	21	23	25
	A	B	C	D	E	F	G	H	J
Size Code	09	11	13	15	17	19	21	23	25

Clamp Size

A Standard Clamp
B Large Clamp



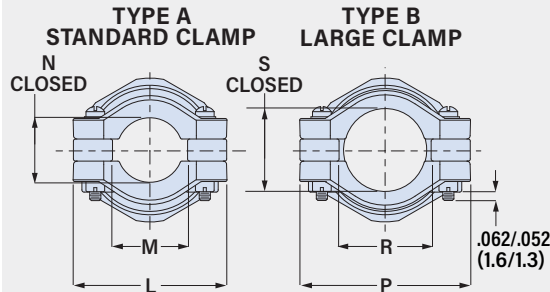
Shell Size	A Thread	øB Min	C Max	D Flats	E Max	F Max	G Max	H Max	J Max	K Ref.									
		in	mm	in	mm	in	mm	in	mm	in	mm								
9 (A)	M12X1.0-6H	.264	6.7	.812	20.6	.750	19.1	1.43	36.3	1.35	34.3	.78	19.8	.91	23.1	.87	22.1	.393	10.0
11 (B)	M15X1.0-6H	.390	9.9	.938	23.8	.875	22.2	1.50	38.1	1.45	36.8	.87	22.1	.94	23.9	.96	24.4	.455	11.6
13 (C)	M18X1.0-6H	.504	12.8	1.125	28.6	1.000	25.4	1.56	39.6	1.60	40.6	.97	24.6	1.12	28.4	1.03	26.2	.598	15.2
15 (D)	M22X1.0-6H	.630	16.0	1.250	31.8	1.125	28.6	1.57	39.9	1.68	42.7	1.02	25.9	1.21	30.7	1.10	27.9	.710	18.0
17 (E)	M25X1.0-6H	.756	19.2	1.375	34.9	1.250	31.8	1.66	42.2	1.78	45.2	1.09	27.7	1.29	32.8	1.16	29.5	.839	21.3
19 (F)	M28X1.0-6H	.843	21.4	1.500	38.1	1.375	34.9	1.66	42.2	1.86	47.2	1.14	29.0	1.39	35.3	1.22	31.0	.934	23.7
21 (G)	M31X1.0-6H	.969	24.6	1.625	41.3	1.500	38.1	1.81	46.0	2.02	51.3	1.24	31.5	1.50	38.1	1.29	32.8	1.068	27.1
23 (H)	M34X1.0-6H	1.091	27.7	1.750	44.5	1.625	41.3	1.84	46.7	2.09	53.1	1.30	33.0	1.57	39.9	1.36	34.5	1.197	30.4
25 (J)	M37X1.0-6H	1.217	30.9	1.875	47.6	1.750	44.5	2.00	50.8	2.20	55.9	1.45	36.8	1.64	41.7	1.55	39.4	1.323	33.6

Swing-Arm® Clamps

for MIL-DTL-38999 Series III and IV Connectors

870H001 Swing-Arm Saddle Clamp

CLAMP DIMENSIONS



Standard Clamp						Large Clamp							
Shell Size	L Max	M Min	N Ref.		Shell Size	P Max	R Min	S Ref.					
	in	mm	in	mm		in	mm	in	mm				
9 (A)	.98	24.9	.22	5.6	.265	6.7	9 (A)	.98	24.9	.33	8.4	.356	9.0
11 (B)	1.05	26.7	.27	6.9	.310	7.9	11 (B)	1.20	30.5	.45	11.4	.422	10.7
13 (C)	1.20	30.5	.35	8.9	.422	10.7	13 (C)	1.45	36.8	.62	15.7	.637	16.2
15 (D)	1.30	33.0	.47	11.9	.538	13.7	15 (D)	1.54	39.1	.68	17.3	.707	18.0
17 (E)	1.44	36.6	.55	14.0	.590	15.0	17 (E)	1.60	40.6	.80	20.3	.759	19.3
19 (F)	1.56	39.6	.62	15.7	.660	16.8	19 (F)	1.73	43.9	.90	22.9	.841	21.4
21 (G)	1.69	42.9	.70	17.8	.744	18.9	21 (G)	1.95	49.5	1.05	26.7	.996	25.3
23 (H)	1.77	45.0	.78	19.8	.826	21.0	23 (H)	2.08	52.8	1.18	30.0	1.060	26.9
25 (J)	1.89	48.0	.85	21.6	.896	22.8	25 (J)	2.32	58.9	1.30	33.0	1.124	28.5

MATERIAL/FINISH

Composite (Code XB)

Coupling nut, body, arms, saddles:
polyetherimide (PEI), unplated

Screws, washers, inserts: stainless steel/
passivated

Anti-decoupling springs: thermoplastic
Clinch Nuts: stainless steel, silver plated

Aluminum (Codes M, MT, NF, TZ, ZR)

Coupling nut, body, arms, saddles: aluminum
Screws, washers, inserts: stainless steel/
passivated

Anti-decoupling springs: thermoplastic
Clinch Nuts: Codes M, MT, TZ and ZR:
stainless steel, silver plated.

Code NF: stainless steel/ olive drab cadmium

Stainless Steel (Code Z1)

Coupling nut, body, arms, saddles: SST
Screws, washers, inserts: stainless steel/
passivated

Anti-decoupling springs: stainless steel
Clinch Nuts: stainless steel, silver plated