



Swing-Arm® Clamps

for Series 80 Mighty Mouse Connectors

870M005 Swing-Arm Saddle Clamp, EMI Banding Adapter, Aluminum/SST

Self-Locking



Adapter Code M

This accessory fits Series 80 Mighty Mouse Connectors

TABLE 1 MATERIAL / FINISH

Aluminum	
M	Electroless nickel
MT	Nickel-PTFE
NF	Olive drab cadmium
NFS	Olive drab cadmium, selective (fig. 1)
TZ	Tin-zinc
ZR	Black zinc-nickel
Stainless Steel, Passivated	
BM	Brass interface ring, nickel plated
BMT	Brass interface ring, nickel-PTFE plated
ZI	SST interface ring, passivated
ZM	SST interface ring, nickel plated

Shielded, self-locking, adjustable arms. 870M005 aluminum or stainless steel Swing-Arm saddle clamp fits Glenair Series 80 Mighty Mouse connectors. Adjustable arms pivot to 0°, 45° or 90° positions. Banding adapter has optional "T" slots for pigtailed individual shields. Terminate shield braid to adapter with optional Band-Master ATS® pre-coiled banding strap. Full radius saddles with self-locking clinch nuts. Available in two clamp sizes: standard clamp fits most wire bundles, large clamp has increased clearance for oversize wire bundles. Coupling nut has anti-decoupling mechanism for audible detented coupling and prevents backoff under high vibration.

PART NUMBER

Base P/N	870M005	M	13	A	S	K
Material/Finish	See Table 1					
Shell Size	07 08 09 10 12 13 14 16 17 See table below for size code					
Clamp Size	A Standard Clamp B Large Clamp					
Banding Adapter Slots	Omit if not required. See Figure 2. S "T" Slots in Banding Adapter for Shield Pigtailed					
Band	Omit if not required. K Pre-Coiled Micro Band included With Clamp J Pre-Coiled Slim Micro Band included With Clamp					

FIGURE 1

MATERIAL / FINISH CODE NFS

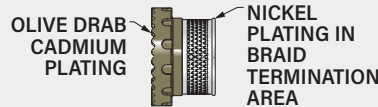
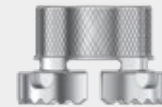


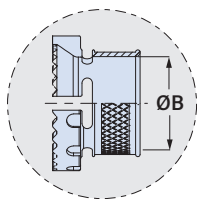
FIGURE 2

BANDING ADAPTER SLOTS



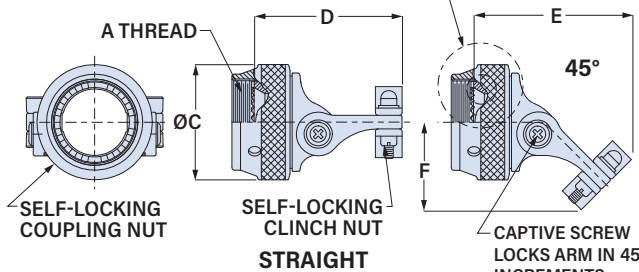
Route pigtail shield braids into optional "T" slots in banding adapter.

DETAIL A



BANDING ADAPTER WITH OPTIONAL T-SLOTS

DETAIL A

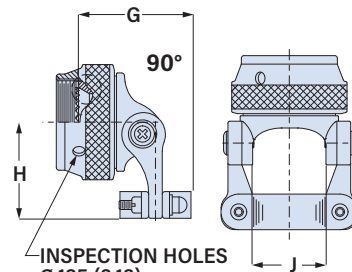


SELF-LOCKING COUPLING NUT

SELF-LOCKING CLINCH NUT

STRAIGHT

CAPTIVE SCREW LOCKS ARM IN 45° INCREMENTS



INSPECTION HOLES Ø.125 (3.18) 2X 180° APART

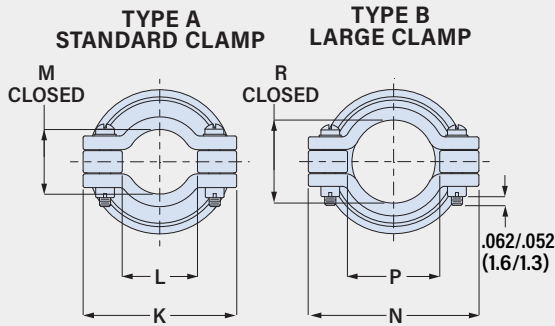
Size Code	Shell Size Series		A Thread UNEF-2B	B Min		øC Max		D Max		E Max		F Max		G Max		H Max		J Ref.	
	800, 801, 803, 804	Series 805		in	mm	in	mm	in	mm	in	mm	in	mm	in	mm	in	mm	in	mm
07	7	9	0.4375-28	.178	4.5	.812	20.6	1.55	39.4	1.45	36.8	.77	19.6	.98	24.9	.87	22.1	.393	10.0
08	8	10	0.500-28	.178	4.5	.812	20.6	1.55	39.4	1.45	36.8	.77	19.6	.98	24.9	.87	22.1	.393	10.0
09	9	11	0.5625-24	.305	7.7	.938	23.8	1.61	40.9	1.56	39.6	.87	22.1	1.05	26.7	.96	24.4	.455	11.6
10	10	12	0.625-24	.305	7.7	.938	23.8	1.61	40.9	1.56	39.6	.87	22.1	1.05	26.7	.96	24.4	.455	11.6
12	11, 12, 13	13	0.6875-24	.404	10.3	1.125	28.6	1.66	42.2	1.71	43.4	.97	24.6	1.22	31.0	1.03	26.2	.598	15.2
13	N/A	15	0.750-20	.404	10.3	1.125	28.6	1.66	42.2	1.71	43.4	.97	24.6	1.22	31.0	1.03	26.2	.598	15.2
14	14, 15, 16, 17	18, 19	0.9375-20	.631	16.0	1.375	34.9	1.77	45.0	1.88	47.8	1.08	27.4	1.38	35.1	1.16	29.5	.839	21.3
16	19	21	1.0625-18	.748	19.0	1.500	38.1	1.77	45.0	1.96	49.8	1.13	28.7	1.49	37.8	1.22	31.0	.934	23.7
17	21	23	1.1875-18	.877	22.3	1.625	41.3	1.92	48.8	2.13	54.1	1.24	31.5	1.61	40.9	1.29	32.8	1.068	27.1

Swing-Arm® Clamps

for Series 80 Mighty Mouse Connectors

870M005 Swing-Arm Saddle Clamp, EMI Banding Adapter, Aluminum/SST

CLAMP DIMENSIONS



Standard Clamp						Large Clamp							
Size Code	K Max in	K Max mm	L Min in	L Min mm	M Ref. in	M Ref. mm	Shell Size	N Max in	N Max mm	P Min in	P Min mm	R Ref. in	R Ref. mm
07	.97	24.6	.22	5.6	.264	6.7	08	.98	24.9	.33	8.4	.356	9.0
08	.97	24.6	.22	5.6	.264	6.7	08	.98	24.9	.33	8.4	.356	9.0
09	1.03	26.2	.29	7.4	.310	7.9	09	1.20	30.5	.45	11.4	.422	10.7
10	1.03	26.2	.29	7.4	.310	7.9	10	1.20	30.5	.45	11.4	.422	10.7
12	1.21	30.7	.34	8.6	.422	10.7	12	1.45	36.8	.62	15.7	.637	16.2
13	1.21	30.7	.34	8.6	.422	10.7	13	1.45	36.8	.62	15.7	.637	16.2
14	1.45	36.8	.55	14.0	.590	15.0	14	1.60	40.6	.80	20.3	.759	19.3
16	1.54	39.1	.65	16.5	.660	16.8	16	1.73	43.9	.90	22.9	.841	21.4
17	1.67	42.4	.74	18.8	.744	18.9	17	1.95	49.5	1.05	26.7	.996	25.3

MATERIAL/FINISH

Aluminum (Codes M, MT, NF, NFS TZ, ZR)
 Coupling nut, body, arms, saddles: aluminum
 Screws, washers, inserts: stainless steel/ passivated
 Anti-decoupling springs: thermoplastic
 Clinch nuts: Codes M, MT, TZ and ZR: stainless steel, silver plated. Code NF, NFS: stainless steel/ olive drab cadmium
 Banding adapter: aluminum
 Band (optional): stainless steel/ passivated

Stainless Steel (Codes BM, BMT, Z1, ZM)
 Coupling nut, body, arms, saddles, anti-decoupling springs, screws, washers, inserts: stainless steel, passivated
 Clinch nuts: stainless steel, silver plated
 Banding adapter:
 Code BM: brass/ electroless nickel
 Code BMT: brass/ nickel-PTFE
 Code Z1: stainless steel/ passivated
 Code ZM: stainless steel/ electroless nickel
 Band (optional): stainless steel/ passivated

BAND INFORMATION

Terminate cable braid to band adapter with optional pre-coiled banding strap. Glenair's Band-Master ATS® banding system provides quick, easy, cost-effective and highly reliable termination. Band is passivated stainless steel.



Size Code	Pre-Coiled Micro Band Part No.	Pre-Coiled Slim Micro Band Part No.	Length in	Length mm	Max Diameter in	Max Diameter mm
07 - 12	601-061	601-601	8.125	206	.88	22.4
13 - 17	601-065	601-603	14.25	362	1.88	47.8