

# Swing-Arm® Clamps

for Series 806 Mil-Aero Connectors

## 870V001 Swing-Arm Saddle Clamp

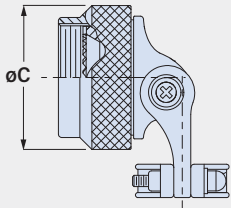
**Self-Locking**



**Self-locking, adjustable arms.** 870V001 Swing-Arm saddle clamp fits Glenair Series 806 Mil-Aero connectors. Use with unshielded wire bundles. Adjustable arms pivot to 0°, 45° or 90° positions. Arms have self-locking threaded inserts to withstand high vibration. Full radius saddles have self-locking clinch nuts. Available in two clamp sizes: standard clamp fits most wire bundles, large clamp has increased clearance for oversize wire bundles. Coupling nut has anti-decoupling mechanism for audible detented coupling and prevents backoff under high vibration. Available in composite, aluminum or stainless steel.

**Adapter Code V**  
This accessory fits Glenair Series 806 Mil-Aero connectors

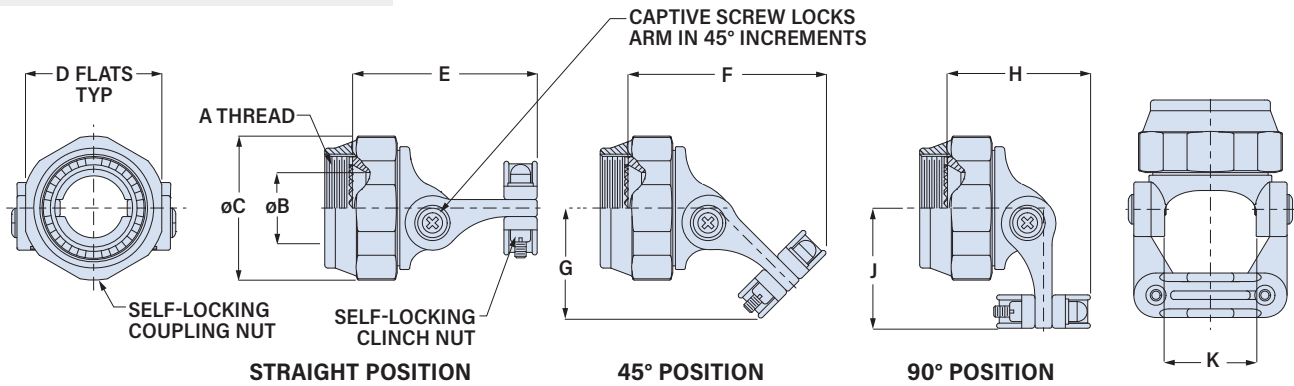
### ALUMINUM AND SST VERSIONS



Aluminum and stainless steel versions have round knurled coupling nuts.

### PART NUMBER

		<b>870V001</b>	<b>XB</b>	<b>22</b>	<b>B</b>
<b>Base P/N</b>	<b>870V001</b>				
<b>Material/Finish</b>	<i>Composite</i>				
	<b>XB</b> No Finish (Black)				
	<i>Aluminum</i>				
	<b>ME</b> Electroless Nickel				
	<b>NF</b> Olive Drab Cadmium				
	<b>MT</b> Nickel-PTFR				
	<b>TZ</b> Tin-Zinc				
	<b>ZR</b> Black Zinc-Nickel				
	<i>Stainless Steel</i>				
	<b>ZI</b> Passivated				
<b>Shell Size</b>	<b>09 11 16 18 20 22 24</b>				
<b>Clamp Size</b>	<b>A</b> Standard Clamp				
	<b>B</b> Large Clamp				



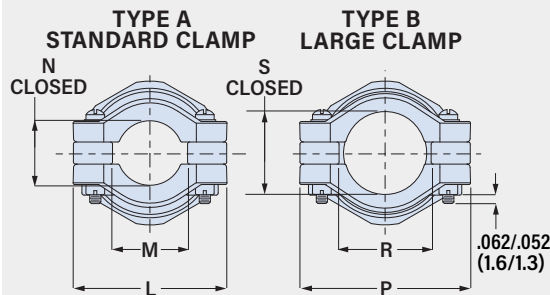
Shell Size	A Thread ISO Metric	øB Min in	mm	C Max in	mm	D Flats in	mm	E Max in	mm	F Max in	mm	G Max in	mm	H Max in	mm	J Max in	mm	K Ref. in	mm
09	M12 x 1.0-6H	.264	6.7	.812	20.6	.750	19.1	1.43	36.3	1.35	34.3	.78	19.8	.91	23.1	.87	22.1	.393	10.0
11	M15 x 1.0-6H	.390	9.9	.938	23.8	.875	22.2	1.50	38.1	1.45	36.8	.87	22.1	.94	23.9	.96	24.4	.455	11.6
16	M22 x 1.0-6H	.630	16.0	1.250	31.8	1.125	28.6	1.57	39.9	1.68	42.7	1.02	25.9	1.21	30.7	1.10	27.9	.710	18.0
18	M25 x 1.0-6H	.756	19.2	1.375	34.9	1.250	31.8	1.66	42.2	1.78	45.2	1.09	27.7	1.29	32.8	1.16	29.5	.839	21.3
20	M28 x 1.0-6H	.843	21.4	1.500	38.1	1.375	34.9	1.66	42.2	1.86	47.2	1.14	29.0	1.39	35.3	1.22	31.0	.934	23.7
22	M31 x 1.0-6H	.969	24.6	1.625	41.3	1.500	38.1	1.81	46.0	2.02	51.3	1.24	31.5	1.50	38.1	1.29	32.8	1.068	27.1
24	M34 x 1.0-6H	1.091	27.7	1.750	44.5	1.625	41.3	1.84	46.7	2.09	53.1	1.30	33.0	1.57	39.9	1.36	34.5	1.197	30.4

# Swing-Arm® Clamps

for Series 806 Mil-Aero Connectors

## 870V001 Swing-Arm Saddle Clamp

### CLAMP DIMENSIONS



Standard Clamp						Large Clamp							
Shell Size	L Max in	L Max mm	M Min in	M Min mm	N Ref. in	N Ref. mm	Shell Size	P Max in	P Max mm	R Min in	R Min mm	S Ref. in	S Ref. mm
09	.98	24.9	.22	5.6	.265	6.7	09	.98	24.9	.33	8.4	.356	9.0
11	1.05	26.7	.27	6.9	.310	7.9	11	1.20	30.5	.45	11.4	.422	10.7
16	1.30	33.0	.47	11.9	.538	13.7	16	1.54	39.1	.68	17.3	.707	18.0
18	1.44	36.6	.55	14.0	.590	15.0	18	1.60	40.6	.80	20.3	.759	19.3
20	1.56	39.6	.62	15.7	.660	16.8	20	1.73	43.9	.90	22.9	.841	21.4
22	1.69	42.9	.70	17.8	.744	18.9	22	1.95	49.5	1.05	26.7	.996	25.3
24	1.77	45.0	.78	19.8	.826	21.0	24	2.08	52.8	1.18	30.0	1.060	26.9

### MATERIAL/FINISH

#### Composite (Code XB)

Coupling nut, body, arms, saddles: polyetherimide (PEI), unplated

Screws, washers, inserts: stainless steel/passivated

Anti-decoupling springs: thermoplastic

Clinch Nuts: stainless steel, silver plated

#### Aluminum (Codes M, MT, NF, TZ, ZR)

Coupling nut, body, arms, saddles: aluminum

Screws, washers, inserts: stainless steel/passivated

Anti-decoupling springs: thermoplastic

Clinch nuts: Codes M, MT, TZ and ZR: stainless steel, silver plated.

Code NF: stainless steel/ olive drab cadmium

#### Stainless Steel (Code ZI)

Coupling nut, body, arms, saddles: SST

Screws, washers, inserts: stainless steel/passivated

Anti-decoupling springs: stainless steel

Clinch Nuts: stainless steel, silver plated