

Swing-Arm® Clamps

for AS50151 Crimp, M26482 Series II, M83723 Series III, AS95234

871A004 Swing-Arm Flex Clamp, EMI Banding Adapter, Composite

Self-Locking

Shielded, self-locking, adjustable arms. 870A004 Swing-Arm Flex Clamp fits AS50151 crimp, AS95234, MIL-DTL-26482 Series II, and MIL-DTL-83723 Series III connectors. Adjustable arms pivot to 0°, 45° or 90° positions. Includes EMI banding adapter with optional "T" slots for pigtailed individual shields. Terminate shield braid to adapter with optional Band-Master ATS® pre-coiled banding strap. Coupling nut has anti-decoupling mechanism for audible detented coupling and prevents backoff under high vibration.



PART NUMBER

871A004	M	22	S	K
----------------	----------	-----------	----------	----------

Adapter Code **A**

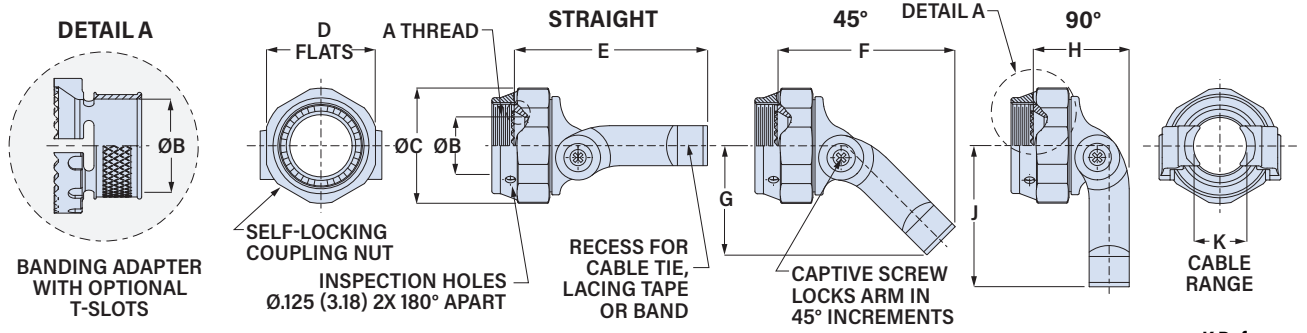
AS50151 crimp, AS95234, MIL-DTL-26482 Ser. II, MIL-DTL-83723 Ser. III

FIGURE 1
FINISH CODES *NFS, BNS*

FIGURE 2
BANDING ADAPTER SLOTS

Route pigtail shield braids into optional "T" slots in banding adapter.

Base P/N	871A004
Banding Adapter Material/Finish	<ul style="list-style-type: none"> M Alum/Electroless Nickel NF Alum/Olive Drab Cadmium NFS Alum/O.D. Cadmium, selective (fig. 1) MT Alum/Nickel-PTFE TZ Alum/Tin-Zinc BM Brass/Electroless Nickel BN Brass/Olive Drab Cadmium BNS Brass/O.D. Cadmium, selective (fig. 1) BMT Brass/Nickel-PTFE
Shell Size	08 10 12 14 16 18 20 22 24
Banding Adapter Slots	<ul style="list-style-type: none"> <i>Omit if not required. See Figure 2</i> S "T" Slots in Banding Adapter for Shield Pigtailed
Band	<ul style="list-style-type: none"> <i>Omit if not required.</i> K Pre-Coiled Micro Band included With Clamp J Pre-Coiled Slim Micro Band included With Clamp



Shell Size	A Thread Class 2B	ø B Min		ø C Max		D Flats		E Max		F Max		G Max		H Max		J Max		Max		Min	
		in	mm	in	mm	in	mm	in	mm	in	mm	in	mm	in	mm	in	mm	in	mm	in	mm
08	0.500-20 UNF	.178	4.5	.812	20.6	.750	19.1	1.79	45.5	1.57	39.9	.87	22.1	.96	24.4	1.12	28.4	.393	10.0	.098	2.5
10	0.625-24 UNEF	.305	7.8	.938	23.8	.875	22.2	1.80	45.7	1.57	39.9	.89	22.6	.96	24.4	1.15	29.2	.455	11.6	.121	3.1
12	0.750-20 UNEF	.404	10.3	1.125	28.6	1.000	25.4	2.08	52.8	1.88	47.8	1.10	27.9	1.05	26.7	1.44	36.6	.598	15.2	.157	4.0
14	0.875-20 UNEF	.565	14.4	1.250	31.8	1.125	28.6	2.08	52.8	1.88	47.8	1.16	29.5	1.32	33.5	1.50	38.1	.710	18.0	.210	5.3
16	1.000-20 UNEF	.658	16.7	1.375	34.9	1.250	31.8	2.29	58.2	2.13	54.1	1.28	32.5	1.21	30.7	1.68	42.7	.839	21.3	.246	6.2
18	1.0625-18 UNEF	.748	19.0	1.500	38.1	1.375	34.9	2.28	57.9	2.13	54.1	1.35	34.3	1.21	30.7	1.81	46.0	.934	23.7	.277	7.0
20	1.1875-18 UNEF	.877	22.3	1.625	41.3	1.500	38.1	2.75	69.9	2.54	64.5	1.63	41.4	1.37	34.8	2.12	53.8	1.068	27.1	.313	8.0
22	1.3125-18 UNEF	.999	25.4	1.750	44.5	1.625	41.3	2.75	69.9	2.54	64.5	1.67	42.4	1.37	34.8	2.16	54.9	1.197	30.4	.349	8.9
24	1.4375-18 UNEF	1.127	28.6	1.875	47.6	1.750	44.5	2.96	75.2	2.75	69.9	1.84	46.7	1.46	37.1	2.41	61.2	1.323	33.6	.380	9.7



Swing-Arm® Clamps

for AS50151 Crimp, M26482 Series II, M83723 Series III, AS95234

871A004 Swing-Arm Flex Clamp, EMI Banding Adapter, Composite

MATERIAL/FINISH

Coupling nut, body, arms: thermoplastic, black
 Screws, washers, inserts: stainless steel/ passivated
 Anti-decoupling springs: thermoplastic
 interface ring: aluminum alloy or brass
 Band (optional): stainless steel/ passivated

BAND INFORMATION

Terminate cable braid to band adapter with optional pre-coiled banding strap. Glenair's Band-Master ATS® banding system provides quick, easy, cost-effective and highly reliable termination. Band is passivated stainless steel.



Band



Micro Band Tool
601-101



Slim Micro Band Tool
601-122

Shell Size	Pre-Coiled Micro Band Part No.	Pre-Coiled Slim Micro Band Part No.	Length in	Length mm	Max Diameter in	Max Diameter mm
8 - 12	601-061	601-601	8.125	206	.88	22.4
14 - 28	601-065	601-603	14.25	362	1.88	47.8