



Swing-Arm® Clamps

for Series 80 Mighty Mouse Connectors

871M002 Swing-Arm Flex Clamp with Braid Sock, Composite

Self-Locking



Shielded. Lightweight. Self-locking. Adjustable arms. 871M002 Swing-Arm Flex Clamp fits Glenair Series 80 Mighty Mouse connectors. Adjustable arms pivot to 0°, 45° or 90° positions. Supplied with 12 inches (305 mm) of shield braid attached to metal interface ring. Braid choices include 34 AWG nickel/copper, 34 AWG tin/copper, ultralightweight AmberStrand® or microfilament nickel/SST Armorlite®. Corrosion-resistant high performance thermoplastic meets AS85049 requirements. Coupling nut has anti-decoupling mechanism for audible detented coupling and prevents backoff under high vibration.

PART NUMBER

871M002 BM 12 N J 14

Adapter Code M

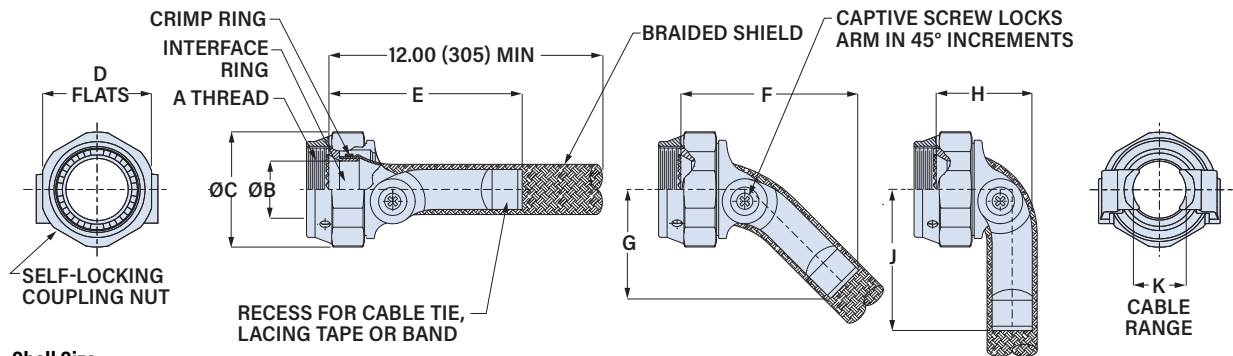
This accessory fits Series 80 Mighty Mouse Connectors

TABLE 1

INTERFACE RING MATERIAL/ FINISH

| Aluminum | |
|------------|--|
| M | Electroless Nickel |
| NF | Olive Drab Cadmium and Electroless Nickel (Figure 1) |
| MT | Nickel-PTFE |
| TZ | Tin-Zinc |
| ZR | Black Zinc-Nickel |
| Brass | |
| BM | Electroless Nickel |
| BN | Olive Drab Cadmium and Electroless Nickel (Figure 1) |
| BMT | Nickel-PTFE |

| | |
|--|---|
| Base P/N | 871M002 |
| Interface Ring Material /Finish | See Table 1 |
| Shell Size | 07 08 09 10 12 13 14 16 17 See table below for size code |
| Braid Type | N 34 AWG Nickel/Copper Braid T 34 AWG Tin/Copper Braid A AmberStrand® Nickel/Composite Braid L ArmorLite® Microfilament Nickel/SST Braid |
| Splice Ring and Band | Omit if not required K Splice ring and standard band J Splice ring and slim standard band |
| Braid Length | Omit for standard 12 inch length 14 Length in 1 inch increments, 6 inch min "14" = 14 inches. |



| Size Code | Series | | | A Thread | ø B | | ø C Max | D Flats | | E Max | F Max | | G Max | | H Max | | J Max | | K Ref. | | | | |
|-----------|--------------------|--------|-----------|----------|------|-------|---------|---------|------|-------|-------|------|-------|------|-------|------|-------|------|--------|-------|------|------|-----|
| | 800, 801, 803, 804 | 805 | UNE-F-2B | | in | mm | | in | mm | | in | mm | in | mm | in | mm | in | mm | in | mm | in | mm | in |
| 07 | 7 | 9 | 0.4375-28 | .264 | 6.7 | .812 | 20.6 | .750 | 19.1 | 1.77 | 45.0 | 1.54 | 39.1 | .84 | 21.3 | .83 | 21.1 | 1.09 | 27.7 | .393 | 10.0 | .098 | 2.5 |
| 08 | 8 | 10 | 0.500-28 | .264 | 6.7 | .812 | 20.6 | .750 | 19.1 | 1.77 | 45.0 | 1.54 | 39.1 | .84 | 21.3 | .83 | 21.1 | 1.09 | 27.7 | .393 | 10.0 | .098 | 2.5 |
| 09 | 9 | 11 | 0.5625-24 | .392 | 10.0 | .938 | 23.8 | .875 | 22.2 | 1.77 | 45.0 | 1.54 | 39.1 | .87 | 22.1 | .83 | 21.1 | 1.12 | 28.4 | .455 | 11.6 | .121 | 3.1 |
| 10 | 10 | 12 | 0.625-24 | .392 | 10.0 | .938 | 23.8 | .875 | 22.2 | 1.77 | 45.0 | 1.54 | 39.1 | .87 | 22.1 | .83 | 21.1 | 1.12 | 28.4 | .455 | 11.6 | .121 | 3.1 |
| 12 | 11, 12, 13 | 13 | 0.6875-24 | .506 | 12.9 | 1.125 | 28.6 | 1.000 | 25.4 | 2.05 | 52.1 | 1.85 | 47.0 | 1.07 | 27.2 | 1.01 | 25.7 | 1.41 | 35.8 | .598 | 15.2 | .157 | 4.0 |
| 13 | N/A | 15 | 0.750-20 | .506 | 12.9 | 1.125 | 28.6 | 1.000 | 25.4 | 2.05 | 52.1 | 1.85 | 47.0 | 1.07 | 27.2 | 1.01 | 25.7 | 1.41 | 35.8 | .598 | 15.2 | .157 | 4.0 |
| 14 | 14, 15, 16, 17 | 18, 19 | 0.9375-20 | .756 | 19.2 | 1.375 | 34.9 | 1.250 | 31.8 | 2.26 | 57.4 | 2.10 | 53.3 | 1.26 | 32.0 | 1.17 | 29.7 | 1.65 | 41.9 | .839 | 21.3 | .246 | 6.2 |
| 16 | 19 | 21 | 1.0625-18 | .844 | 21.4 | 1.500 | 38.1 | 1.375 | 34.9 | 2.26 | 57.4 | 2.10 | 53.3 | 1.32 | 33.5 | 1.17 | 29.7 | 1.71 | 43.4 | .934 | 23.7 | .277 | 7.0 |
| 17 | 21 | 23 | 1.1875-18 | .970 | 24.6 | 1.625 | 41.3 | 1.500 | 38.1 | 2.72 | 69.1 | 2.51 | 63.8 | 1.60 | 40.6 | 1.33 | 33.8 | 2.09 | 53.1 | 1.068 | 27.1 | .313 | 8.0 |

Swing-Arm® Clamps

for Series 80 Mighty Mouse Connectors

871M002 Swing-Arm Flex Clamp with Braid Sock, Composite

MATERIAL/FINISH

Coupling nut, body: polyetherimide (PEI)/unplated, black

Flex arms: PEEK (PEI)/unplated, black

Screws, washers, inserts: stainless steel/passivated

Anti-decoupling spring: thermoplastic

Interface ring: brass or aluminum

Crimp ring: copper alloy/tin

Splice ring (optional): thermoplastic

Band (optional): stainless steel/passivated

Braid:

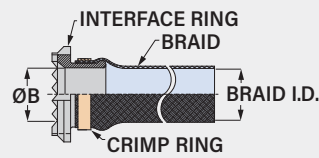
Code N: 34 AWG nickel-coated copper

Code T: 34 AWG tin-coated copper,

Code A: *AmberStrand*® ultralightweight nickel-coated polymer

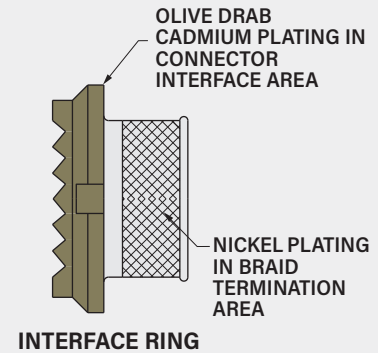
Code L: *ArmorLite*® lightweight microfilament nickel-coated 316L stainless steel

INTERFACE RING AND BRAID



| Size Code | Ø B Min | | Braid I.D. | |
|-----------|---------|------|------------|-------|
| | in | mm | in | mm |
| 07 | .262 | 6.7 | .375 | 9.53 |
| 08 | .262 | 6.7 | .375 | 9.53 |
| 09 | .391 | 9.9 | .375 | 9.53 |
| 10 | .391 | 9.9 | .375 | 9.53 |
| 12 | .505 | 12.8 | .500 | 12.70 |
| 13 | .505 | 12.8 | .500 | 12.70 |
| 14 | .757 | 19.2 | .781 | 19.84 |
| 16 | .843 | 21.4 | 1.000 | 25.40 |
| 17 | .969 | 24.6 | 1.000 | 25.40 |

FIGURE 1
NF AND BN SELECTIVE FINISH



SPLICE RING AND PRE-COILED BAND (K AND J OPTIONS)



Splice Ring

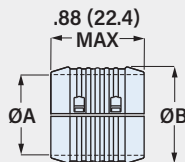


Band

Optional splice ring provides a reliable, low resistance method of splicing Swing-Arm braid to wire bundle braid. Snap splice ring over wire bundle, then overlap braid sock, pigtails and cable braid. Install band around splice ring and braid using Band-Master ATS banding tool.

Slim Standard Band is 50% lighter weight than standard band with no reduction in strength.

| Size Code | Band Part Number | | Splice Ring Part Number | ØA | | ØB | |
|-----------|------------------|---------------|-------------------------|---------------|---------------|---------------|---------------|
| | Standard | Slim Standard | | ±.03 (0.8) in | ±.03 (0.8) mm | ±.03 (0.8) in | ±.03 (0.8) mm |
| 07, 08 | 601-006 | 601-571 | 687-207XB04 | .25 | 6.4 | .40 | 10.2 |
| 09, 10 | 601-006 | 601-571 | 687-207XB06 | .38 | 9.7 | .53 | 13.5 |
| 12 | 601-006 | 601-571 | 687-207XB08 | .50 | 12.7 | .65 | 16.5 |
| 13 | 601-006 | 601-571 | 687-207XB10 | .63 | 16.0 | .78 | 19.8 |
| 14 | 601-006 | 601-571 | 687-207XB12 | .75 | 19.1 | .90 | 22.9 |
| 16 | 601-006 | 601-571 | 687-207XB14 | .88 | 22.4 | 1.03 | 26.2 |
| 17 | 601-041 | 601-573 | 687-207XB16 | 1.00 | 25.4 | 1.15 | 29.2 |



687-207
SPLICE RING



Banding Tool for
Standard Band
601-100



Banding Tool for Slim
Standard Band
601-109