

# Swing-Arm® Clamps

for Series 80 Mighty Mouse Connectors

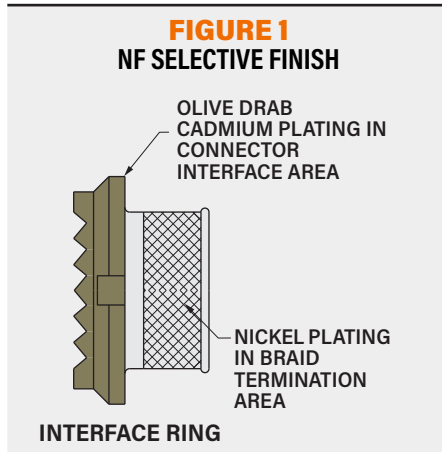
## 871M003 Swing-Arm Flex Clamp with Braid Sock, Aluminum

**Self-Locking**

**Shielded. Lightweight. Self-locking. Adjustable arms.** 871M003 Swing-Arm Flex Clamp has aluminum coupling nut and body with thermoplastic flex arms. Fits Glenair Series 80 Mighty Mouse connectors. Adjustable arms pivot to 0°, 45° or 90° positions. Supplied with 12 inches (305 mm) of shield braid attached to metal interface ring. Braid choices include 34 AWG nickel/copper, 34 AWG tin/copper, ultralightweight AmberStrand® or microfilament nickel/SST Armorlite®. Coupling nut has anti-decoupling mechanism for audible detented coupling and prevents backoff under high vibration.

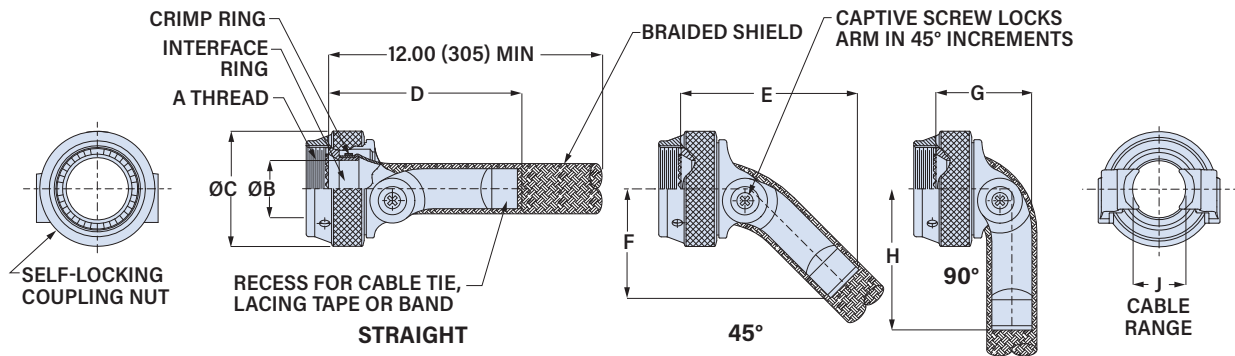


**Adapter Code M**  
This accessory fits Series 80 Mighty Mouse Connectors



**PART NUMBER**

	<b>871M003</b>	<b>M</b>	<b>12</b>	<b>N</b>	<b>J</b>	<b>14</b>
<b>Base P/N</b>	<b>871M003</b>					
<b>Material/Finish</b>	<b>M</b> Electroless Nickel <b>NF</b> O. D. Cadmium, Selective (Figure 1) <b>MT</b> Nickel-PTFE <b>TZ</b> Tin-Zinc <b>ZR</b> Black Zinc-Nickel					
<b>Shell Size</b>	<b>07 08 09 10 12 13 14 16 17</b> See table below for size code					
<b>Braid Type</b>	<b>N</b> 34 AWG Nickel/Copper Braid <b>T</b> 34 AWG Tin/Copper Braid <b>A</b> AmberStrand® Nickel/Composite Braid <b>L</b> ArmorLite® Microfilament Nickel/SST Braid					
<b>Splice Ring and Band</b>	Omit if not required <b>K</b> Splice ring and standard band <b>J</b> Splice ring and slim standard band					
<b>Braid Length</b>	Omit for standard 12 inch length <b>14</b> Length in 1 inch increments, 6 inch min "14" = 14 inches.					



Size Code	Shell Size Series			A Thread UNEF-2B	Ø B Min		Ø C Max		D Max		E Max		F Max		G Max		H Max		J Ref.			
	800, 801, 803, 804	Series 805			in	mm	in	mm	in	mm	in	mm	in	mm	in	mm	in	mm	Max in	Min in		
07	7	9		0.4375-28	.264	6.7	.812	20.6	1.77	45.0	1.54	39.1	.84	21.3	.83	21.1	1.09	27.7	.393	10.0	.098	2.5
08	8	10		0.500-28	.264	6.7	.812	20.6	1.77	45.0	1.54	39.1	.84	21.3	.83	21.1	1.09	27.7	.393	10.0	.098	2.5
09	9	11		0.5625-24	.392	10.0	.938	23.8	1.77	45.0	1.54	39.1	.87	22.1	.83	21.1	1.12	28.4	.455	11.6	.121	3.1
10	10	12		0.625-24	.392	10.0	.938	23.8	1.77	45.0	1.54	39.1	.87	22.1	.83	21.1	1.12	28.4	.455	11.6	.121	3.1
12	11, 12, 13	13		0.6875-24	.506	12.9	1.125	28.6	2.05	52.1	1.85	47.0	1.07	27.2	1.01	25.7	1.41	35.8	.598	15.2	.157	4.0
13	N/A	15		0.750-20	.506	12.9	1.125	28.6	2.05	52.1	1.85	47.0	1.07	27.2	1.01	25.7	1.41	35.8	.598	15.2	.157	4.0
14	14, 15, 16, 17	18, 19		0.9375-20	.756	19.2	1.375	34.9	2.26	57.4	2.10	53.3	1.26	32.0	1.17	29.7	1.65	41.9	.839	21.3	.246	6.2
16	19	21		1.0625-18	.844	21.4	1.500	38.1	2.26	57.4	2.10	53.3	1.32	33.5	1.17	29.7	1.71	43.4	.934	23.7	.277	7.0
17	21	23		1.1875-18	.970	24.6	1.625	41.3	2.72	69.1	2.51	63.8	1.60	40.6	1.33	33.8	2.09	53.1	1.068	27.1	.313	8.0

# Swing-Arm® Clamps

for Series 80 Mighty Mouse Connectors

## 871M003 Swing-Arm Flex Clamp with Braid Sock, Aluminum

### SPLICE RING AND PRE-COILED BAND (K AND J OPTIONS)



Splice Ring

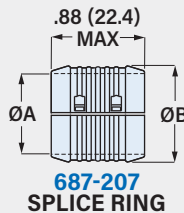


Band

Optional splice ring provides a reliable, low resistance method of splicing Swing-Arm braid to wire bundle braid. Snap splice ring over wire bundle, then overlap braid sock, pigtails and cable braid. Install band around splice ring and braid using Band-Master ATS banding tool.

**Slim Standard Band** is 50% lighter weight than standard band with no reduction in strength.

Size Code	Band Part Number		Splice Ring Part Number	øA		øB	
	Standard	Slim Standard		±.03 (0.8) in	±.03 (0.8) mm	±.03 (0.8) in	±.03 (0.8) mm
07, 08	601-006	601-571	687-207XB04	.25	6.4	.40	10.2
09, 10	601-006	601-571	687-207XB06	.38	9.7	.53	13.5
12	601-006	601-571	687-207XB08	.50	12.7	.65	16.5
13	601-006	601-571	687-207XB10	.63	16.0	.78	19.8
14	601-006	601-571	687-207XB12	.75	19.1	.90	22.9
16	601-006	601-571	687-207XB14	.88	22.4	1.03	26.2
17	601-041	601-573	687-207XB16	1.00	25.4	1.15	29.2



687-207  
SPLICE RING



Banding Tool for  
Standard Band  
601-100

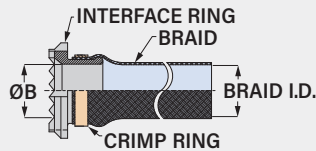


Banding Tool for Slim  
Standard Band  
601-109

### MATERIAL/FINISH

Coupling nut, body: aluminum  
 Flex arms: PEEK (PEI)/unplated, black  
 Screws, washers, inserts: stainless steel/passivated  
 Anti-decoupling spring: thermoplastic  
 Interface ring: aluminum  
 Crimp ring: copper alloy/tin  
 Splice ring (optional): thermoplastic  
 Band (optional): stainless steel/passivated  
 Braid:  
 Code N: 34 AWG nickel-coated copper  
 Code T: 34 AWG tin-coated copper,  
 Code A: **AmberStrand**® ultralightweight nickel-coated polymer  
 Code L: **ArmorLite**® lightweight microfilament nickel-coated 316L stainless steel

### INTERFACE RING AND BRAID



Size Code	ø B Min		Braid I.D.	
	in	mm	in	mm
07	.26	6.7	.375	9.53
08	.26	6.7	.375	9.53
09	.39	9.9	.375	9.53
10	.39	9.9	.375	9.53
12	.51	12.8	.500	12.70
13	.51	12.8	.500	12.70
14	.76	19.2	.781	19.84
16	.84	21.4	1.000	25.40
17	.94	23.9	1.000	25.40