

# Swing-Arm® Clamps

for Series 806 Mil-Aero Connectors

## 871V002 Swing-Arm Flex Clamp with Braid Sock, Composite

**Self-Locking**



**Adapter Code V**

This accessory fits Glenair Series 806 Mil-Aero connectors

**TABLE 1**

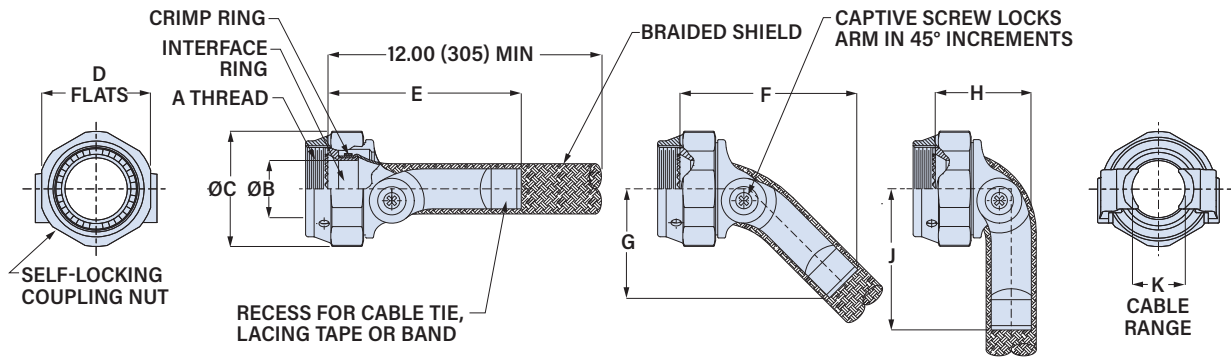
**INTERFACE RING MATERIAL/ FINISH**

Aluminum	
<b>ME</b>	Electroless Nickel
<b>NF</b>	Olive Drab Cadmium and Electroless Nickel (Figure 1)
<b>MT</b>	Nickel-PTFE
<b>TZ</b>	Tin-Zinc
<b>ZR</b>	Black Zinc-Nickel
Brass	
<b>BM</b>	Electroless Nickel
<b>BN</b>	Olive Drab Cadmium and Electroless Nickel (Figure 1)
<b>BMT</b>	Nickel-PTFE

**Shielded. Lightweight. Self-locking. Adjustable arms.** 871V002 Swing-Arm Flex Clamp fits Glenair Series 806 Mil-Aero connectors. Adjustable arms pivot to 0°, 45° or 90° positions. Supplied with 12 inches (305 mm) of shield braid attached to metal interface ring. Braid choices include 34 AWG nickel/copper, 34 AWG tin/copper, ultralightweight AmberStrand® or microfilament nickel/SST Armorlite®. Corrosion-resistant high performance thermoplastic meets AS85049 requirements. Coupling nut has anti-decoupling mechanism for audible detented coupling and prevents backoff under high vibration.

**PART NUMBER**

	<b>871V002</b>	<b>BM</b>	<b>22</b>	<b>N</b>	<b>J</b>	<b>14</b>
<b>Base P/N</b>	<b>871V002</b>					
<b>Interface Ring Material/Finish</b>	See Table 1					
<b>Shell Size</b>	<b>08 09 10 11 12 14 16 18 20 22 24</b>					
<b>Braid Type</b>	<b>N</b> 34 AWG Nickel/Copper Braid <b>T</b> 34 AWG Tin/Copper Braid <b>A</b> AmberStrand® Nickel/Composite Braid <b>L</b> ArmorLite® Microfilament Nickel/SST Braid					
<b>Splice Ring and Band</b>	Omit if not required <b>K</b> Splice ring and standard band <b>J</b> Splice ring and slim standard band					
<b>Braid Length</b>	Omit for standard 12 inch length <b>14</b> Length in 1 inch increments, 6 inch min "14" = 14 inches.					



Shell Size	A Thread ISO Metric	ø B Min		ø C Max		D Flats		E Max		F Max		G Max		H Max		J Max		K Ref.			
		in	mm	in	mm	in	mm	in	mm	in	mm	in	mm	in	mm	in	mm	in	mm	in	mm
<b>08</b>	M10 x 1.0-6H	.264	6.7	.812	20.6	.750	19.1	1.77	45.0	1.54	39.1	.84	21.3	.83	21.1	1.09	27.7	.393	10.0	.098	2.5
<b>09</b>	M12 x 1.0-6H	.264	6.7	.812	20.6	.750	19.1	1.77	45.0	1.54	39.1	.84	21.3	.83	21.1	1.09	27.7	.393	10.0	.098	2.5
<b>10</b>	M14 x 1.0-6H	.390	9.9	.938	23.8	.875	22.2	1.77	45.0	1.54	39.1	.87	22.1	.83	21.1	1.12	28.4	.455	11.6	.121	3.1
<b>11</b>	M15 x 1.0-6H	.390	9.9	.938	23.8	.875	22.2	1.77	45.0	1.54	39.1	.87	22.1	.83	21.1	1.12	28.4	.455	11.6	.121	3.1
<b>12</b>	M17 x 1.0-6H	.510	13.0	1.125	28.6	1.000	25.4	2.05	52.1	1.85	47.0	1.07	27.2	1.01	25.7	1.41	35.8	.598	15.2	.157	4.0
<b>14</b>	M19 x 1.0-6H	.510	13.0	1.250	31.8	1.125	28.6	2.05	52.1	1.85	47.0	1.13	28.7	1.01	25.7	1.47	37.3	.710	18.0	.210	5.3
<b>16</b>	M22 x 1.0-6H	.671	17.0	1.250	31.8	1.125	28.6	2.05	52.1	1.85	47.0	1.13	28.7	1.01	25.7	1.47	37.3	.710	18.0	.210	5.3
<b>18</b>	M25 x 1.0-6H	.788	20.0	1.375	34.9	1.250	31.8	2.26	57.4	2.10	53.3	1.26	32.0	1.17	29.7	1.65	41.9	.839	21.3	.246	6.2
<b>20</b>	M28 x 1.0-6H	.881	22.4	1.500	38.1	1.375	34.9	2.26	57.4	2.10	53.3	1.32	33.5	1.17	29.7	1.71	43.4	.934	23.7	.277	7.0
<b>22</b>	M31 x 1.0-6H	1.007	25.6	1.625	41.3	1.500	38.1	2.72	69.1	2.51	63.8	1.60	40.6	1.33	33.8	2.09	53.1	1.068	27.1	.313	8.0
<b>24</b>	M34 x 1.0-6H	1.127	28.6	1.750	44.5	1.625	41.3	2.72	69.1	2.51	63.8	1.64	41.7	1.33	33.8	2.13	54.1	1.197	30.4	.349	8.9

# Swing-Arm® Clamps

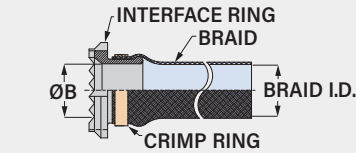
for Series 806 Mil-Aero Connectors

## 871V002 Swing-Arm Flex Clamp with Braid Sock, Composite

### MATERIAL/FINISH

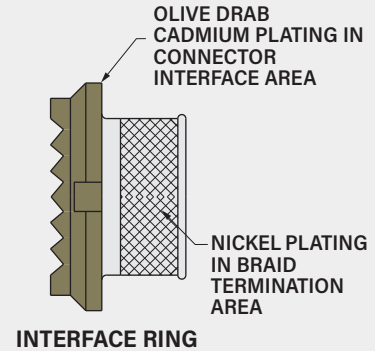
- Coupling nut, body, arms: polyetherimide (PEI)/unplated
- Screws, washers, inserts: stainless steel/passivated
- Anti-decoupling spring: thermoplastic
- Interface ring: brass or aluminum
- Crimp ring: copper alloy/tin
- Splice ring (optional): thermoplastic
- Clinch nuts: stainless steel/silver
- Band (optional): stainless steel/passivated
- Braid:
  - Code N: 34 AWG nickel-coated copper
  - Code T: 34 AWG tin-coated copper,
  - Code A: *AmberStrand*® ultralightweight nickel-coated polymer
  - Code L: *ArmorLite*® lightweight microfilament nickel-coated 316L stainless steel

### INTERFACE RING AND BRAID

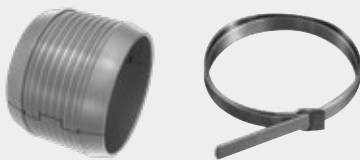


Shell Size	ØB Min		Braid I.D.	
	In.	mm.	In.	mm.
08	.264	6.7	.375	9.53
09	.264	6.7	.375	9.53
10	.390	9.9	.375	9.53
11	.390	9.9	.375	9.53
12	.510	13.0	.781	19.84
14	.510	13.0	.781	19.84
16	.671	17.0	.500	12.70
18	.788	20.0	.781	19.84
20	.881	22.4	.781	19.84
22	1.007	25.6	1.000	25.40
24	1.127	28.6	1.000	25.40

**FIGURE 1**  
NF AND BN SELECTIVE FINISH



### SPLICE RING AND PRE-COILED BAND (K AND J OPTIONS)



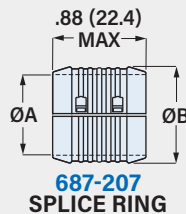
Splice Ring

Band

Optional splice ring provides a reliable, low resistance method of splicing Swing-Arm braid to wire bundle braid. Snap splice ring over wire bundle, then overlap braid sock, pigtails and cable braid. Install band around splice ring and braid using Band-Master ATS banding tool.

*Slim Standard Band* is 50% lighter weight than standard band with no reduction in strength.

Shell Size	Band Part Number		Splice Ring Part Number	ØA		ØB	
	Standard	Slim Standard		± .03 (0.8) in	mm	± .03 (0.8) in	mm
08	601-006	601-571	687-207XB04	.25	6.4	.40	10.2
09	601-006	601-571	687-207XB04	.25	6.4	.40	10.2
10	601-006	601-571	687-207XB06	.38	9.7	.53	13.5
11	601-006	601-571	687-207XB06	.38	9.7	.53	13.5
12	601-006	601-571	687-207XB08	.50	12.7	.65	16.5
14	601-006	601-571	687-207XB08	.50	12.7	.65	16.5
16	601-006	601-571	687-207XB10	.63	16.0	.78	19.8
18	601-006	601-571	687-207XB12	.75	19.1	.90	22.9
20	601-006	601-571	687-207XB14	.88	22.4	1.03	26.2
22	601-041	601-573	687-207XB16	1.00	25.4	1.15	29.2
24	601-041	601-573	687-207XB18	1.13	28.7	1.28	32.5



Banding Tool for Standard Band  
601-100



Banding Tool for Slim Standard Band  
601-109