

## 871H007 • Style II Al Alloy Swing-Arm Flex Clamp, Banding Adapter

FOR MIL-DTL-38999 SERIES III & IV



**Adapter Code H**

This accessory fits Glenair SuperNine and MIL-DTL-38999 Series III and IV connectors

**871H007 Swing-Arm Flex Clamp** fits MIL-DTL-38999 Series III and IV connectors. Style II accommodates larger cable entry sizes than standard Swing-Arm clamps. Aluminum coupling nut and body, flex arms are high strength thermoplastic. Adjustable arms pivot to 0°, 45° or 90° positions. Includes EMI banding adapter with optional "T" slots for pigtailed individual shields. Terminate shield braid to adapter with optional Band-Master ATS® pre-coiled banding strap. Coupling nut has anti-decoupling mechanism for audible detented coupling and prevents backoff under high vibration.

**PART NUMBER**

	<b>871H007</b>	<b>NF</b>	<b>15</b>	<b>S</b>	<b>J</b>
<b>Base P/N</b>	<b>871H007</b>				
<b>Finish Symbol</b>	<i>See Table II</i>				
<b>Dash Number</b>	<b>09 11 13 15 17 19 21 23</b>				
<b>Shield Termination Slot</b>	<i>Omit if not required</i> <b>S</b>				
<b>Precoiled Band Option</b>	<i>Omit if not required</i> <b>J</b> Micro Slim band				

SWING-ARM FLEX CLAMPS

**TABLE II**

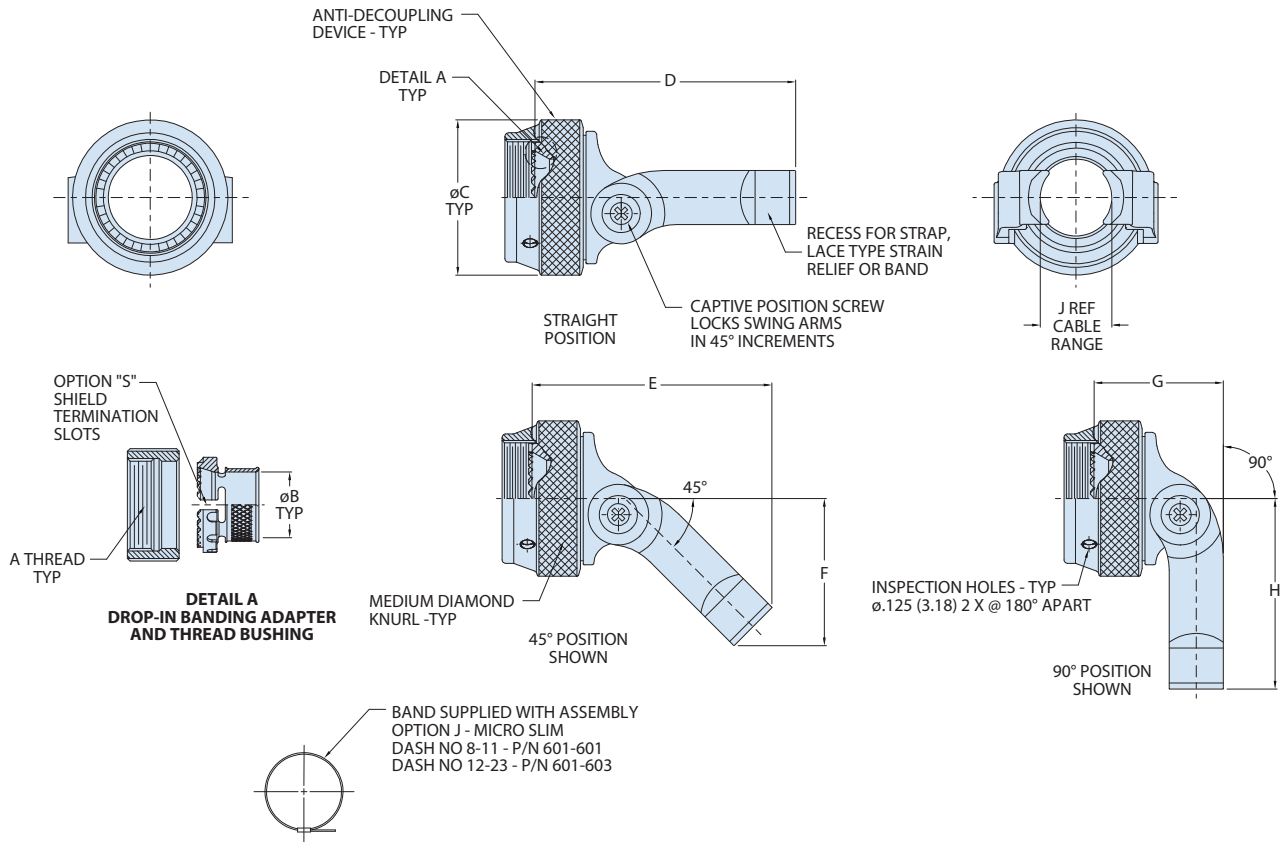
CLAMP BODY, COUPLING NUT,  
SADDLES, DROP-IN BANDING  
ADAPTER, THREAD BUSHING  
MATERIAL / FINISH

Aluminum	
<b>M</b>	Electroless Nickel
<b>NF</b>	Cadmium Olive Drab Over Electroless Nickel
<b>MT</b>	Nickel-PTFE
<b>TZ</b>	Tin-Zinc
<b>ZR</b>	Zinc Nickel/Black Over Electroless Nickel, Matte Finish

871H007 • Style II

Al Alloy Swing-Arm Flex Clamp, Banding Adapter

SWING-ARM FLEX CLAMPS



Dash No	Connector Designator H			Dimensions							J Ref Recommended Cable Range	
	Shell Size	A Thread ISO Metric	ØB	ØC Max	D Max	E Max	F Max	G Max	H Max	Max	Min	
09	A	M12 x 1.0-6H	0.305 (7.75)	0.938 (23.83)	1.90 (48.26)	1.67 (42.42)	0.89 (22.61)	1.03 (26.16)	1.15 (29.21)	0.455 (11.56)	0.121 (3.07)	
11	B	M15 x 1.0-6H	0.404 (10.26)	1.125 (28.58)	2.18 (55.37)	1.98 (50.29)	1.10 (27.94)	1.15 (29.21)	1.44 (36.58)	0.598 (15.19)	0.157 (3.99)	
13	C	M18 x 1.0-6H	0.565 (14.35)	1.250 (31.75)	2.18 (55.37)	1.98 (50.29)	1.16 (29.46)	1.15 (29.21)	1.50 (38.10)	0.710 (18.03)	0.210 (5.33)	
15	D	M22 x 1.0-6H	0.658 (16.71)	1.375 (34.93)	2.39 (60.71)	2.23 (56.64)	1.28 (32.51)	1.31 (33.27)	1.68 (42.67)	0.839 (21.31)	0.246 (6.25)	
17	E	M25 x 1.0-6H	0.777 (19.74)	1.500 (38.10)	2.38 (60.45)	2.23 (56.64)	1.35 (34.29)	1.31 (33.27)	1.74 (44.20)	0.934 (23.72)	0.277 (7.04)	
19	F	M28 x 1.0-6H	0.877 (22.28)	1.625 (41.28)	2.85 (72.39)	2.64 (67.06)	1.63 (41.40)	1.47 (37.34)	2.12 (53.85)	1.068 (27.13)	0.313 (7.95)	
21	G	M31 x 1.0-6H	0.999 (25.37)	1.750 (44.45)	2.85 (72.39)	2.64 (67.06)	1.67 (42.42)	1.47 (37.34)	2.16 (54.86)	1.197 (30.40)	0.349 (8.86)	
23	H	M34 x 1.0-6H	1.127 (28.63)	1.875 (47.63)	3.06 (77.72)	2.85 (72.39)	1.84 (46.74)	1.56 (39.62)	2.41 (61.21)	1.323 (33.60)	0.380 (9.65)	

### BANDING TOOLS AND BANDS

Terminate cable braid to band adapter with optional pre-coiled banding strap. Glenair's Band-Master ATS® banding system provides quick, easy, cost-effective and highly reliable termination. Band is passivated stainless steel.



Shell Size	Pre-Coiled Micro Slim Band Part No.	Length in	mm	Max Diameter in	mm
8 - 12	601-601	8.125	206	.88	22.4
14 - 25	601-603	14.25	362	1.88	47.8