

# Series 93 Gaskets

For Series 970, MIL-DTL-28840 and MIL-PRF-28876

## 930-014, 930-006 Flange Gasket

### 930-014 FLANGE GASKET FOR SERIES 970 POWERTRIP CONNECTORS



Series 806 Shell Size	Part No. * = Material Code	A ±.015 (0.4)		øB ±.015 (0.4)		C ±.015 (0.4)		øD ±.015 (0.4)	
		in	mm	in	mm	in	mm	in	mm
18	930-014*18	1.015	25.8	1.187	30.1	1.383	35.1	.146	3.7
20	930-014*20	1.140	29.0	1.374	34.9	1.508	38.3	.146	3.7
24	930-014*24	1.281	32.5	1.562	39.7	1.718	43.6	.146	3.7
28	930-014*28	1.568	39.8	1.874	47.6	2.138	54.3	.170	4.3
32	930-014*32	1.734	44.0	2.062	52.4	2.328	59.1	.170	4.3
36	930-014*36	1.984	50.4	2.302	58.5	2.578	65.5	.170	4.3
40	930-014*40	2.234	56.7	2.562	65.1	2.828	71.8	.170	4.3

#### TABLE 1 MATERIAL CODE

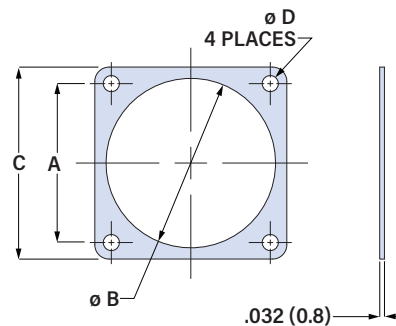
##### EMI Gasket

Fluorosilicone Filled With Silver-Plated Aluminum

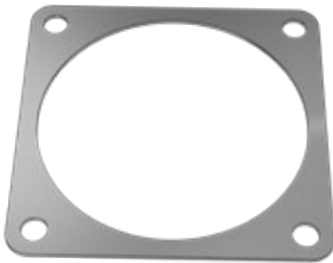
- X** MIL-G-83528 Type D, CHO-SEAL 1298, 90 dB shielding @ 10GHz, good corrosion resistance, resists jet fuels and solvents, -55 to +200 °C, tan

##### Non-Conductive Gaskets

- F** Fluorosilicone (blue)
- V** Viton (black)



### 930-006 FLANGE GASKET FOR MIL-DTL-28840 AND MIL-PRF-28876 RECEPTACLES



Shell Size	Part No. * = Material Code	A		øB		C		øD		F Rad	
		±.010 (0.3)	in mm	+ .016 (0.2) - .000 (0.0)	in mm	+ .016 (0.2) - .000 (0.0)	in mm	±.010 (0.3)	in mm	±.010 (0.3)	in mm
A (11)	930-006*11	.750	19.1	.750	19.1	1.023	26.0	.120	3.0	.141	3.6
B (13)	930-006*13	.843	21.4	.875	22.2	1.138	28.9	.120	3.0	.141	3.6
C (15)	930-006*15	.968	24.6	1.062	27.0	1.258	32.0	.120	3.0	.141	3.6
D (17)	930-006*17	1.015	25.8	1.125	28.6	1.383	35.1	.120	3.0	.156	4.0
E (19)	930-006*19	1.140	29.0	1.312	33.3	1.508	38.3	.120	3.0	.172	4.4
F (23)	930-006*23	1.281	32.5	1.500	38.1	1.718	43.6	.120	3.0	.188	4.8
G (25)	930-006*25	1.392	35.4	1.625	41.3	1.818	46.2	.147	3.7	.188	4.8
H (29)	930-006*29	1.568	39.8	1.875	47.6	2.138	54.3	.147	3.7	.219	5.6
J (33)	930-006*33	1.734	44.0	2.062	52.4	2.328	59.1	.173	4.4	.219	5.6

#### TABLE 1 MATERIAL CODE

##### EMI Gaskets

Fluorosilicone with Silver-Plated Aluminum Filler

- B** MIL-G-83528 Type D, CHO-SEAL 1298, 90 dB shielding @ 10GHz, good corrosion resistance, resists jet fuels and solvents, -55 to +200 °C, beige

Silicone with Embedded Monel Wire Mesh

- C** Corrosion-resistant QQ-N-281 nickel-copper alloy wire embedded in silicone, good EMI shielding, -55 to +260 °C, grey

Silicone with Oriented Monel Wire

- M** QQ-N-281 nickel-copper alloy wire embedded into the z-axis, good EMI shielding, -55 to +200 °C, grey

##### Non-Conductive Gaskets

- F** Fluorosilicone (blue)
- N** Neoprene (black)
- S** Silicone (red)
- V** Viton (black)

