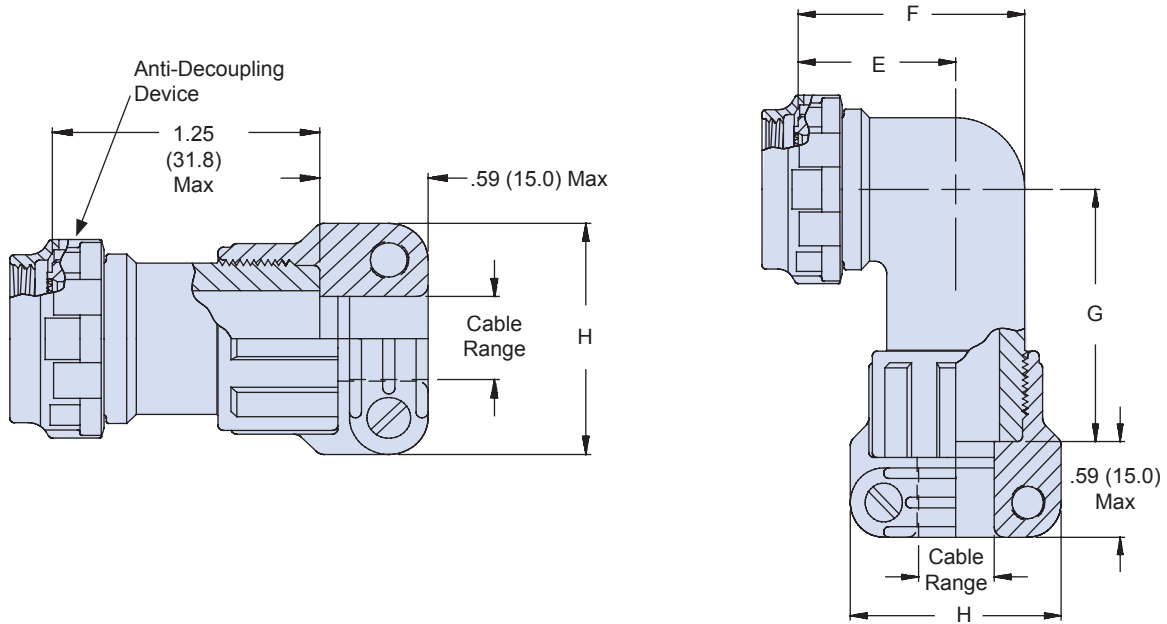
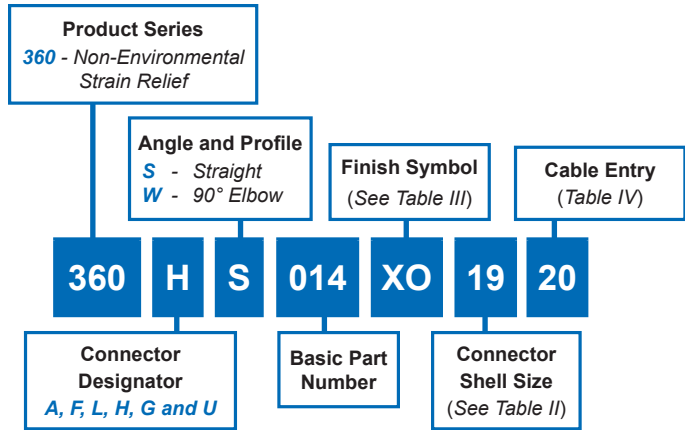


A

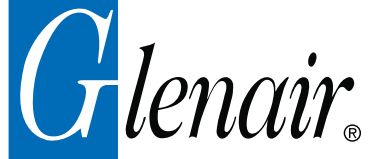
CONNECTOR DESIGNATOR:	
<b>A</b>	MIL-DTL-5015, -26482 Series II, and -83723 Series I and III
<b>F</b>	MIL-DTL-38999 Series I, II
<b>L</b>	MIL-DTL-38999 Series 1.5 (JN1003)
<b>H</b>	MIL-DTL-38999 Series III and IV
<b>G</b>	MIL-DTL-28840
<b>U</b>	DG123 and DG123A
<b>SELF-LOCKING</b>	
<b>ROTATABLE COUPLING</b>	
<b>STANDARD PROFILE</b>	



### NOTES

1. Coupling nut supplied unplated.
2. See Table I in Intro for front-end dimensional details.

**360-014**  
**Composite Non-Environmental Backshell**  
**with Self-Locking Rotatable Coupling**  
**and Strain Relief**



**TABLE II: CONNECTOR SHELL SIZE ORDER NUMBER**

Shell Size For Connector Designator*					E	F	G	Max Entry
A	F/L	H	G	U	±.06 (1.5)	±.09 (2.3)	±.09 (2.3)	Dash No.**
08	08	09	-	-	.69 (17.5)	.88 (22.4)	1.06 (27.0)	10
10	10	11	-	08	.75 (19.1)	1.00 (25.4)	1.13 (28.7)	12
12	12	13	11	10	.81 (20.6)	1.13 (28.7)	1.19 (30.2)	14
14	14	15	13	12	.88 (22.4)	1.31 (33.3)	1.38 (35.1)	16
16	16	17	15	14	.94 (23.9)	1.38 (35.1)	1.44 (36.6)	20
18	18	19	17	16	.97 (24.6)	1.44 (36.6)	1.47 (37.3)	20
20	20	21	19	18	1.06 (26.9)	1.63 (41.4)	1.56 (39.6)	22
22	22	23	-	20	1.13 (28.7)	1.75 (44.5)	1.63 (41.4)	24
24	24	25	23	22	1.19 (30.2)	1.88 (47.8)	1.69 (42.9)	28
28	-	-	25	24	1.34 (34.0)	2.13 (54.1)	1.78 (45.2)	32

\*\*Consult factory for additional entry sizes available.

**TABLE III: FINISH**

Symbol	Finish Description
XB	No Plating - Black Color
XM	2000 Hour Corrosion Resistant Electroless Nickel
XMT	2000 Hour Corrosion Resistant Ni-PTFE, Nickel-Fluorocarbon Polymer. <i>1000 Hour Grey™</i>
XO	No Plating - Brown Color
XW	2000 Hour Corrosion Resistant Cadmium/Olive Drab over Electroless Nickel

**TABLE IV: CABLE ENTRY**

Dash No.	H		Cable Range	
	±.06 (1.5)	Minimum	Maximum	
10	.94 (23.9)	.16 (4.0)	.25 (6.4)	
12	1.17 (29.7)	.29 (5.1)	.38 (9.7)	
14	1.28 (32.5)	.40 (10.1)	.44 (11.2)	
16	1.41 (35.8)	.52 (12.7)	.63 (15.9)	
18	1.50 (38.1)	.58 (14.7)	.69 (17.5)	
20	1.56 (39.6)	.64 (16.3)	.75 (19.1)	
22	1.69 (42.9)	.72 (18.3)	.88 (22.2)	
24	1.81 (46.0)	.79 (20.0)	1.00 (25.4)	
28	1.91 (48.5)	.89 (20.3)	1.13 (28.6)	
32	2.02 (51.3)	.96 (24.4)	1.25 (31.8)	