

CONNECTOR DESIGNATOR:

F	MIL-DTL-38999 Series I, II
H	MIL-DTL-38999 Series III and IV
ROTATABLE COUPLING	
STANDARD PROFILE	

A

Product Series
440 - Banding Strain Relief

Angle and Profile
A - 90° Clamp
B - 45° Clamp
S - Straight
W - 90° Split Clamp

Coupling Nut
Finish Symbol
(See Table III)
XM - 90° Elbow

Supplied with
600-083 Band
(Omit if Not Required)

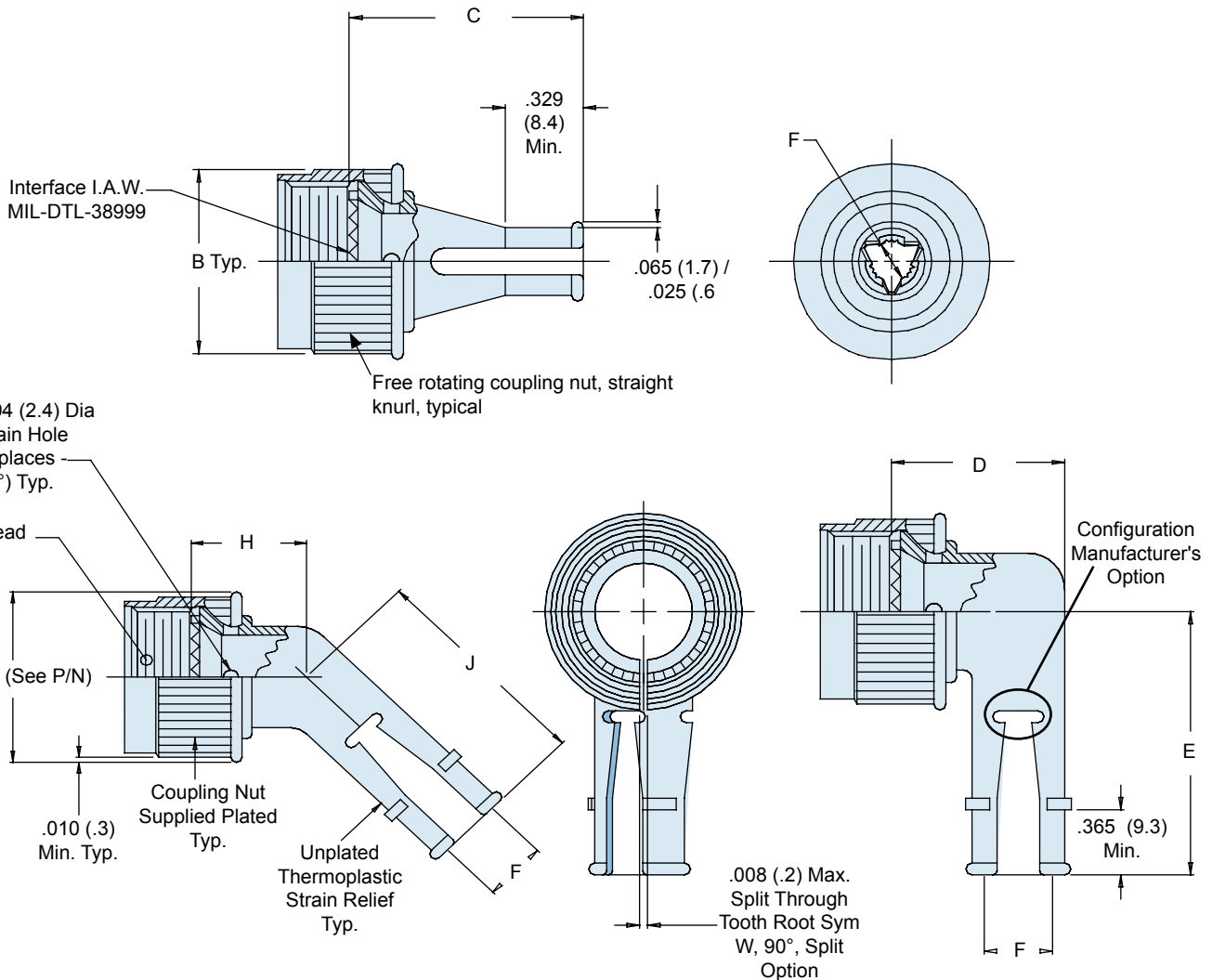
440 F S 087 XM 20 B L

Connector Designator
F and H

Basic Part Number
087

Connector Shell Size
(See Table II)
20

Add Letter "L" for Coupling Nut Less G Diameter
Omit Letter "L" for Coupling Nut With G Diameter



440-087
Ultra Lightweight Banding Strain Relief
with Rotatable Coupling



TABLE II: CONNECTOR SHELL SIZE ORDER NUMBER

Shell Size For Connector Designator		B	C	D		E
H	F	Max	Max	+03 -06	(.8) (1.5)	Max
09	08	.562 (14.3)	1.22 (31.0)	.66	(16.8)	1.02 (25.9)
11	10	.688 (17.5)	1.22 (31.0)	.69	(17.5)	1.07 (27.2)
13	12	.817 (20.8)	1.22 (31.0)	.75	(19.1)	1.13 (28.7)
15	14	.930 (23.6)	1.22 (31.0)	.86	(21.8)	1.33 (33.8)
17	16	1.062 (27.0)	1.22 (31.0)	.94	(23.9)	1.40 (35.6)
19	18	1.188 (30.2)	1.22 (31.0)	1.00	(25.4)	1.46 (37.1)
21	20	1.312 (33.3)	1.30 (33.0)	1.07	(27.2)	1.61 (40.9)
23	22	1.438 (36.5)	1.30 (33.0)	1.15	(29.2)	1.66 (42.2)
25	24	1.562 (39.7)	1.30 (33.0)	1.21	(30.7)	1.72 (43.7)

TABLE II: CONNECTOR SHELL SIZE ORDER NUMBER (CONT.)

Shell Size For Connector Designator		F Cable Dia		G	H	J
H	F	Minimum	Maximum	Max	Max	Max
09	08	.094 (2.4)	.203 (5.2)	.65 (16.5)	.470 (11.9)	1.02 (25.9)
11	10	.141 (3.6)	.250 (6.4)	.76 (19.3)	.482 (12.2)	1.07 (27.2)
13	12	.172 (4.4)	.323 (8.2)	.89 (22.6)	.494 (12.5)	1.13 (28.7)
15	14	.203 (5.2)	.422 (10.7)	1.04 (26.4)	.530 (13.5)	1.33 (33.8)
17	16	.234 (5.9)	.500 (12.7)	1.16 (29.5)	.557 (14.1)	1.40 (35.6)
19	18	.265 (6.7)	.562 (14.3)	1.28 (32.5)	.576 (14.6)	1.46 (37.1)
21	20	.297 (7.5)	.625 (15.9)	1.40 (35.6)	.600 (15.2)	1.61 (40.9)
23	22	.328 (8.3)	.703 (17.9)	1.51 (38.4)	.627 (15.9)	1.66 (42.2)
25	24	.359 (9.1)	.765 (19.4)	1.63 (41.4)	.653 (16.6)	1.72 (43.7)

NOTES

- Metric dimensions (mm) are in parenthesis and are for reference only.
- See Table I in Intro for front-end dimensional details.

TABLE III: FINISH

Symbol	Material / Finish Description
XM	Coupling Nut: Aluminum / Electroless Nickel Body: Thermoplastic / Black Color
XMT	Coupling Nut: Aluminum / 1000 Hour Grey™ Body: Thermoplastic / Black Color
XW	Coupling Nut: Aluminum / Cad O.D. over Electroless Nickel Body: Thermoplastic / Black Color