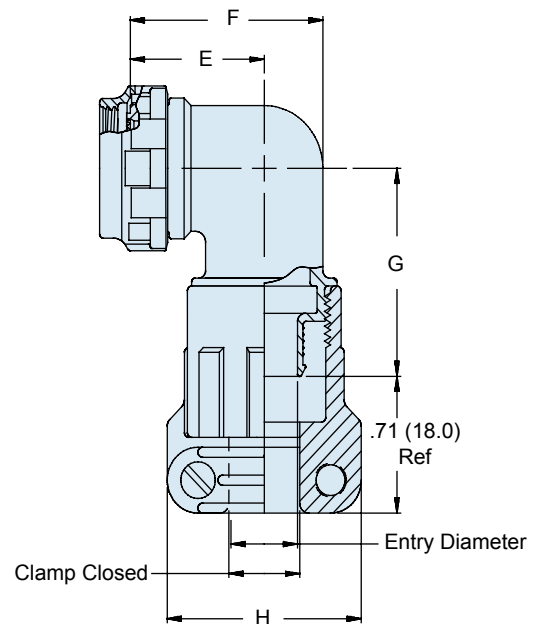
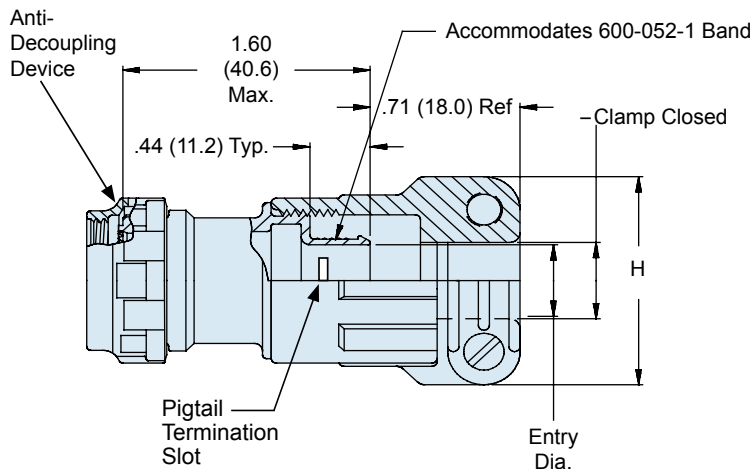
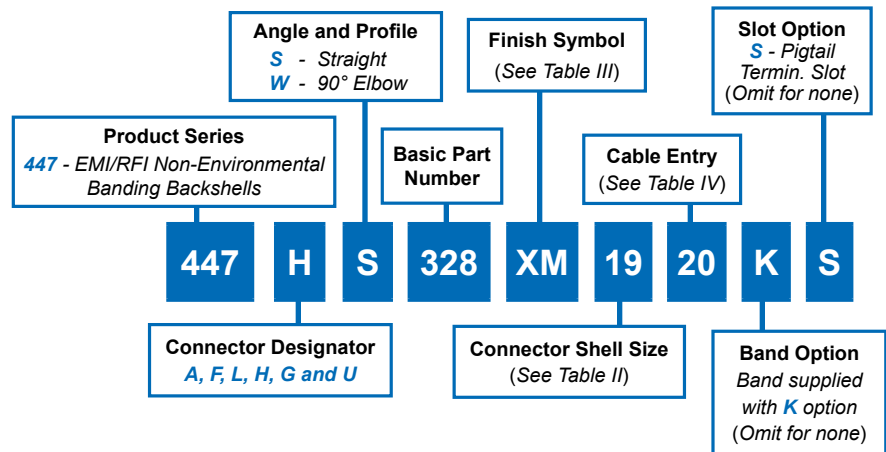




447-328 Composite Standard Profile EMI/RFI Band-in-a-Can Backshell with Strain-Relief Clamp and Self-Locking Rotatable Coupling

A

CONNECTOR DESIGNATOR:	
A	MIL-DTL-5015, -26482 Series II, and -83723 Series I and III
F	MIL-DTL-38999 Series I, II
L	MIL-DTL-38999 Series 1.5 (JN1003)
H	MIL-DTL-38999 Series III and IV
G	MIL-DTL-28840
U	DG123 and DG123A
SELF-LOCKING	
ROTATABLE COUPLING	
STANDARD PROFILE	



- NOTES**
- Metric dimensions (mm) are in parenthesis and are for reference only.
 - Coupling nut supplied unplated.
 - See Table I in Intro for front-end dimensional details.

447-328
Composite Standard Profile EMI/RFI
Band-in-a-Can Backshell with Strain-Relief Clamp
and Self-Locking Rotatable Coupling



Composite Backshells

A

TABLE II: CONNECTOR SHELL SIZE

Shell Size For Connector Designator*					E	F	G	Max Entry
A	F/L	H	G	U	± .06 (1.5)	± .09 (2.3)	± .09 (2.3)	Dash No.**
08	08	09	-	-	.69 (17.5)	.88 (22.4)	1.31 (33.3)	10
10	10	11	-	08	.75 (19.1)	1.00 (25.4)	1.42 (36.1)	12
12	12	13	11	10	.81 (20.6)	1.13 (28.7)	1.57 (39.9)	14
14	14	15	13	12	.88 (22.4)	1.31 (33.3)	1.57 (39.9)	16
16	16	17	15	14	.94 (23.9)	1.38 (35.1)	1.64 (41.7)	20
18	18	19	17	16	.97 (24.6)	1.44 (36.6)	1.73 (43.9)	20
20	20	21	19	18	1.06 (26.9)	1.63 (41.4)	1.82 (46.2)	22
22	22	23	-	20	1.13 (28.7)	1.75 (44.5)	1.82 (46.2)	24
24	24	25	23	22	1.19 (30.2)	1.88 (47.8)	1.84 (46.7)	32
28	-	-	25	24	1.34 (34.0)	2.13 (54.1)	2.00 (50.8)	32

**Consult factory for additional entry sizes available.

TABLE III: FINISH

Symbol	Finish Description
XM	2000 Hour Corrosion Resistant Electroless Nickel
XMT	2000 Hour Corrosion Resistant Ni-PTFE, Nickel-Fluorocarbon Polymer. 1000 Hour Grey™
XW	2000 Hour Corrosion Resistant Cadmium/Olive Drab over Electroless Nickel

TABLE IV: CABLE ENTRY

Entry Code	H		Entry Dia.*		Clamp Closed	
	±.06 (1.5)	(1.5)	±.03 (0.8)	(0.8)	±.03 (0.8)	(0.8)
10	.94 (23.9)		.22 (5.6)		.26 (6.6)	
12	1.17 (29.7)		.28 (7.1)		.34 (8.6)	
14	1.28 (32.5)		.34 (8.6)		.46 (11.7)	
16	1.41 (35.8)		.46 (11.7)		.55 (14.0)	
18	1.50 (38.1)		.55 (14.0)		.62 (15.7)	
20	1.56 (39.6)		.62 (15.7)		.70 (17.8)	
22	1.69 (42.9)		.70 (17.8)		.78 (19.8)	
24	1.81 (46.0)		.78 (19.8)		.85 (21.6)	
28	1.91 (48.5)		.85 (21.6)		.95 (24.1)	
32	2.02 (51.3)		.95 (24.1)		1.02 (25.9)	

* Entry diameter equals maximum wire bundle diameter.