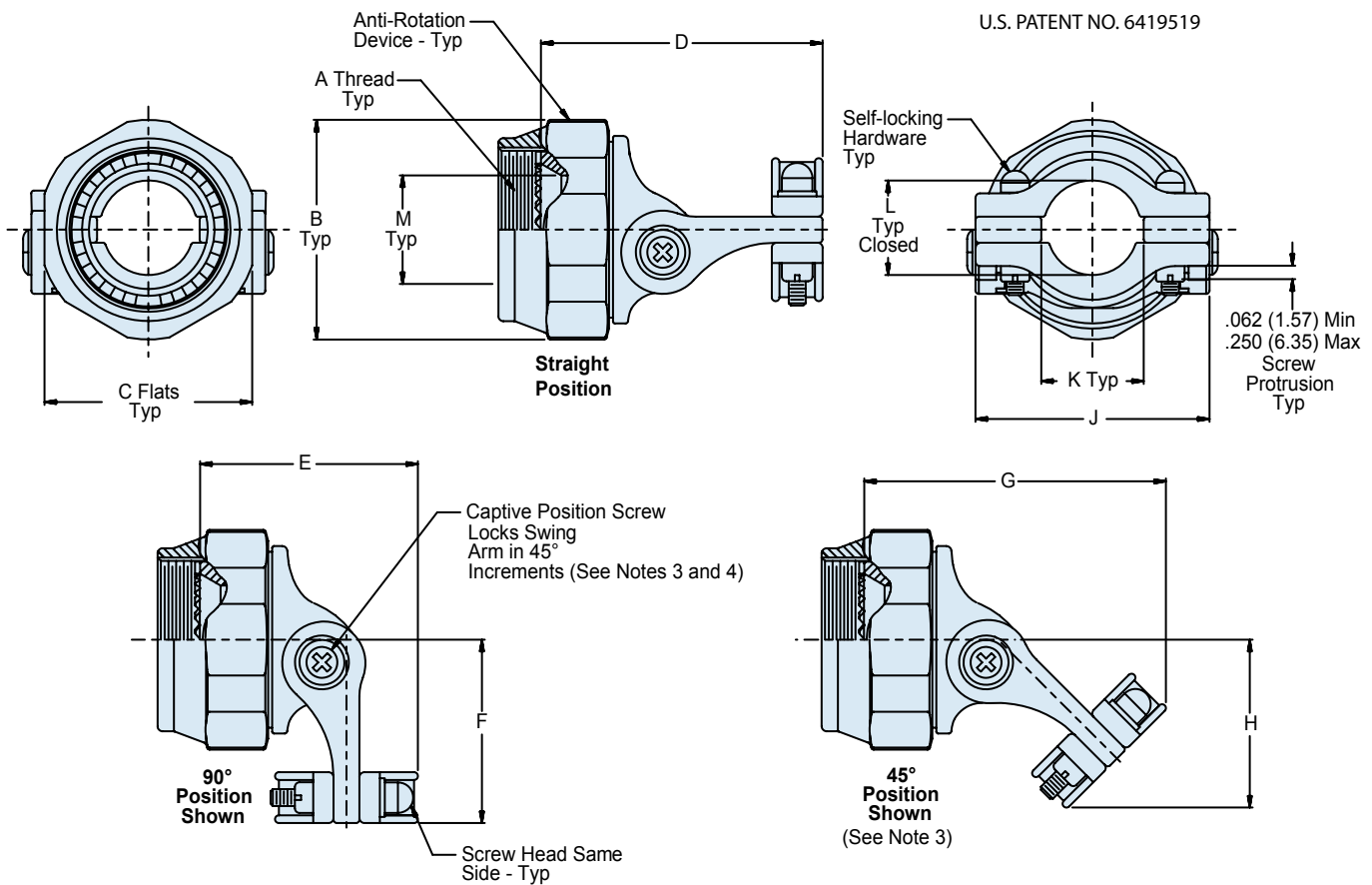
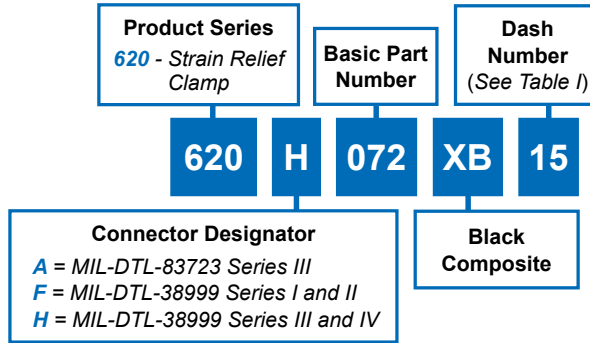




# 620-072 Composite Strain-Relief Clamp with Self-Locking Rotatable Coupling Straight, 45° & 90°

A

CONNECTOR DESIGNATOR:	
<b>A</b>	MIL-DTL-83723, Series III
<b>F</b>	MIL-DTL-38999 Series I and II
<b>H</b>	MIL-DTL-38999 Series III and IV
<b>SELF-LOCKING</b>	
<b>ROTATABLE COUPLING</b>	
<b>STANDARD PROFILE</b>	



## APPLICATION NOTES

- |  |  |
|--|--|
| 1. Assembly identified with manufacturer's name and P/N, space permitting.   | 4. Screw is captive to the arm when disengaged. When tightened, the screw shall not protrude into the inside surfaces.   |
| 2. Glenair 600 Series backshell assembly tools are recommended for assembly and installation.                            | 5. Material/Finish:<br>Clamp body, coupling nut, saddles - High grade engineering thermoplastic, black/No plating.<br>Clamp hardware - CRES/Passivate.<br>Anti-Rotation device - Corrosion resistant material. |
| 3. Swing arm locks in 45° increments in sizes 09 through 25. Additional positioning increments is manufacturer's option. |  |

**620-072**  
**Composite Strain-Relief Clamp**  
**with Self-Locking Rotatable Coupling**  
**Straight, 45° & 90°**



**TABLE I: Dash Number, Shell Size Ref., Thread and Dimensions (Continued Below)**

Connector Designator A			Connector Designator F			Connector Designator H			B Max Dia	C Flats	
Dash No.	Shell Size Ref	A Thread Class 2B	Dash No.	Shell Size Ref	A Thread Class 2B	Dash No.	Shell Size Ref	A Thread ISO Metric		Max	Min
08	8	1/2-20 UNF	08	08	7/16-28 UNF	09	A	M12 x 1.0-6H	.812 (20.62)	.750 (19.05)	.736 (18.69)
10	10	5/8-24 UNEF	10	10	9/16-24 UNEF	11	B	M15 x 1.0-6H	.938 (23.83)	.875 (22.23)	.860 (21.84)
12	12	3/4-20 UNEF	12	12	11/16-24 UNEF	13	C	M18 x 1.0-6H	1.125 (28.58)	1.000 (25.40)	.980 (24.89)
14	14	7/8-20 UNEF	14	14	13/16-20 UNEF	15	D	M22 x 1.0-6H	1.250 (31.75)	1.125 (28.58)	1.000 (25.40)
16	16	1-20 UNEF	16	16	15/16-20 UNEF	17	E	M25 x 1.0-6H	1.375 (34.93)	1.250 (31.75)	1.224 (31.09)
18	18	1 1/16-18 UNEF	18	18	1 1/16-18 UNEF	19	F	M28 x 1.0-6H	1.500 (38.10)	1.375 (34.93)	1.348 (34.24)
20	20	1 3/16-18 UNEF	20	20	1 3/16-18 UNEF	21	G	M31 x 1.0-6H	1.625 (41.28)	1.500 (38.10)	1.469 (38.00)
22	22	1 5/16-18 UNEF	22	22	1 5/16-18 UNEF	23	H	M34 x 1.0-6H	1.750 (44.45)	1.625 (41.28)	1.581 (40.16)
24	24	1 7/16-18 UNEF	24	24	1 7/16-18 UNEF	25	I	M37 x 1.0-6H	1.875 (47.63)	1.750 (44.45)	1.690 (42.93)

**TABLE I: Dash Number, Shell Size Ref., Thread and Dimensions (Continued From Above)**

D Max	E Max	F Max	G Max	H Max	J Max	K Min	L Max	M Min
1.400 (35.56)	.850 (21.59)	.840 (21.34)	1.330 (33.78)	.760 (19.30)	.980 (24.89)	.220 (5.59)	.265 (6.73)	.264 (6.71)
1.440 (36.58)	.890 (22.61)	.900 (22.86)	1.390 (35.31)	.820 (20.83)	1.050 (26.67)	.270 (6.86)	.310 (7.87)	.390 (9.91)
1.520 (38.61)	1.040 (26.42)	1.000 (25.40)	1.540 (39.12)	.920 (23.37)	1.200 (30.48)	.350 (8.89)	.390 (9.91)	.504 (12.80)
1.530 (38.86)	1.140 (28.96)	1.070 (27.18)	1.630 (41.40)	.980 (24.89)	1.300 (33.02)	.470 (11.94)	.506 (12.85)	.630 (16.00)
1.630 (41.40)	1.260 (32.00)	1.130 (28.70)	1.760 (44.70)	1.080 (27.43)	1.440 (36.58)	.550 (13.97)	.591 (15.01)	.756 (19.20)
1.630 (41.40)	1.360 (34.54)	1.200 (30.48)	1.830 (46.48)	1.120 (28.45)	1.560 (39.62)	.620 (15.75)	.661 (16.79)	.843 (21.41)
1.780 (45.21)	1.450 (36.83)	1.260 (32.00)	1.980 (50.29)	1.210 (30.73)	1.690 (42.93)	.700 (17.78)	.744 (18.90)	.969 (24.61)
1.810 (45.97)	1.530 (38.86)	1.330 (33.78)	2.050 (52.07)	1.270 (32.26)	1.770 (44.96)	.780 (19.81)	.826 (20.98)	1.091 (27.69)
1.840 (46.74)	1.600 (40.64)	1.400 (35.56)	2.130 (54.10)	1.330 (33.78)	1.890 (48.01)	.850 (21.59)	.896 (22.76)	1.217 (30.91)

**TABLE III: FINISH**

Symbol	Finish Description
XB	No Plating - Black Color (Non-Conductive Finish)