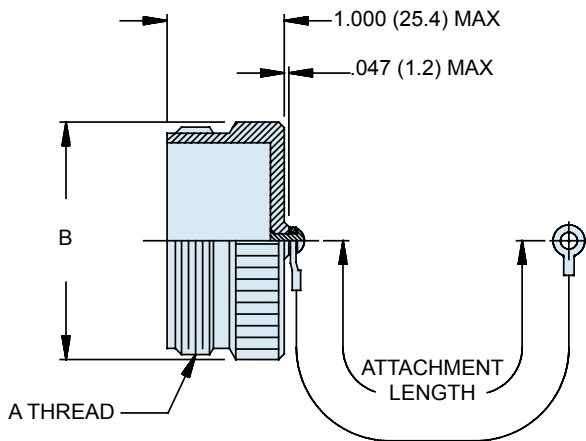
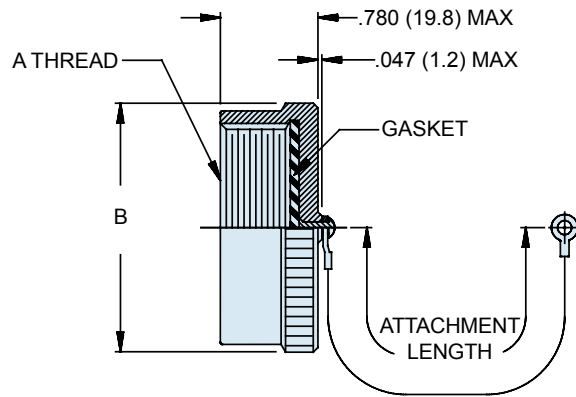


B

660-047
MIL-DTL-28840 PLUG COVER



660-048
MIL-DTL-28840 RECEPTACLE COVER



DESIGNATOR (REF)	SHELL SIZE	A THREAD	B MAX	
			In	mm
A	11	.750 -.1P-.2L-DS	1.028	(26.1)
B	13	.875 -.1P-.2L-DS	1.141	(29.0)
C	15	1.062 -.1P-.2L-DS	1.263	(32.1)
D	17	1.125 -.1P-.2L-DS	1.387	(35.2)
E	19	1.312 -.1P-.2L-DS	1.513	(38.4)
F	23	1.500 -.1P-.2L-DS	1.703	(43.5)
G	25	1.625 -.1P-.2L-DS	1.825	(46.4)
H	29	1.812 -.1P-.2L-DS	2.143	(54.4)
J	33	2.000 -.1P-.2L-DS	2.329	(59.2)

Symbol	Finish Description
XB	No Plating - Black Color (Non-Conductive Finish)
XM	2000 Hour Corrosion Resistant Electroless Nickel
XMT	2000 Hour Corrosion Resistant Ni-PTFE, Nickel-Fluorocarbon Polymer. 1000 Hour Grey™
XO	No Plating - Brown Color (Non-Conductive Finish)
XW	2000 Hour Corrosion Resistant Cadmium/Olive Drab over Electroless Nickel

Metric dimensions (mm) are in parentheses and are for reference only.