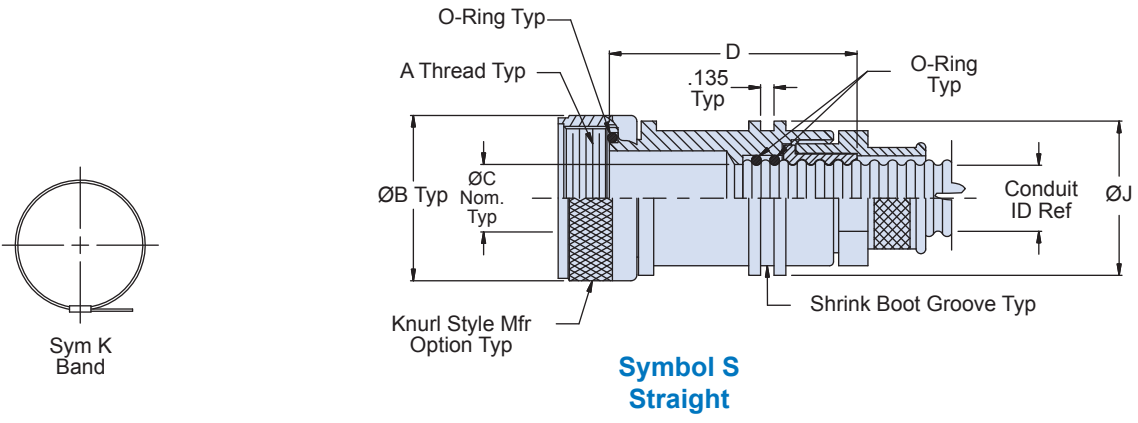
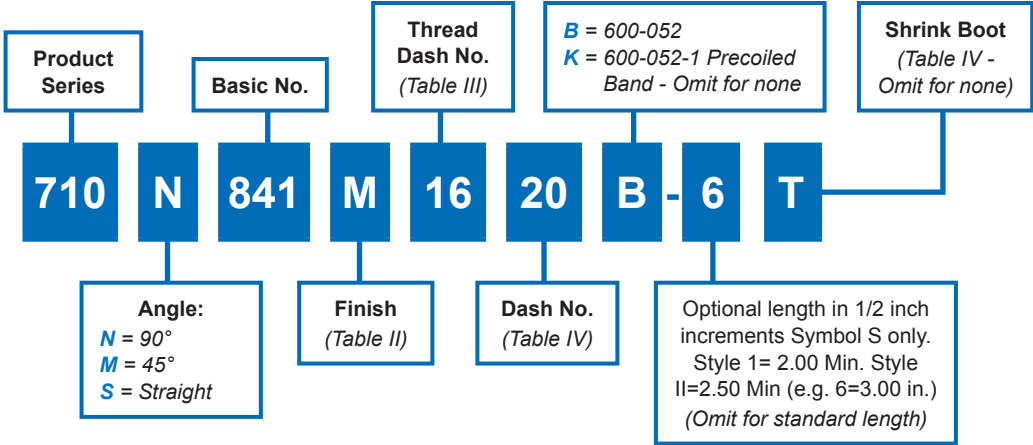




**710-841**  
**Sentry System EMI/Environmental**  
**Convuluted Tubing to Transition Backshell, Metal**  
**for Series 72 Annular Convuluted Tubing**

**Sentry System EMI/environmental convuluted tubing to transition or end fitting backshell with banding platform and shrink boot lip**

**How To Order**



**Material and Finish**

- Adapters, coupling nuts, RFI nuts & elbows: See Table II
- Split Bushings: Kynar/N.A.
- Band: CRES/Passivated
- O-Rings: Silicone/N.A.
- Shrink Boot: See individual drawing

**Notes**

For use with: 710-077, 100, 101, 102, 103, 106, 107, 108, 109, 114, 115, 116, 117, 370, 371, 372, 373, 405, 406; 713-100, 101, 110.

710-841

**Sentry System EMI/Environmental  
Convolved Tubing to Transition Backshell, Metal  
for Series 72 Annular Convolved Tubing**



Series 72  
Annular Tubing

B

Table III: Dash No./Dimensions

Thread Dash No.	A Thread Class 2B	Ø B Max	Ø C Nom	D Max	E Max	F Max	G Max	H Max
09	9/16-24 UNEF	.690 (17.5)	.281 (7.1)	1.491 (37.9)	.78 (19.8)	1.66 (42.2)	.56 (14.2)	1.44 (36.6)
12	5/8-24 UNEF	.760 (19.3)	.375 (9.5)	1.530 (38.9)	.78 (19.8)	1.66 (42.2)	.56 (14.2)	1.44 (36.6)
16	3/4-20 UNEF	.890 (22.6)	.500 (12.7)	1.552 (39.4)	.84 (21.3)	1.72 (43.7)	.58 (14.7)	1.46 (37.1)
20	7/8-20 UNEF	1.024 (25.9)	.625 (16.0)	1.580 (40.1)	.96 (24.4)	1.84 (46.7)	.63 (16.0)	1.51 (38.4)
24	1.00-20 UNEF	1.152 (29.2)	.750 (19.1)	1.610 (40.9)	1.03 (26.2)	1.91 (48.5)	.66 (16.8)	1.54 (39.1)
28	1 3/16-18 UNEF	1.363 (34.5)	.875 (22.4)	1.685 (42.9)	1.15 (29.2)	2.03 (51.6)	.71 (18.0)	1.59 (40.4)
32	1 5/16-18 UNEF	1.488 (37.9)	1.000 (25.4)	1.710 (43.4)	1.21 (30.7)	2.09 (53.1)	.74 (18.8)	1.62 (41.2)
40	1 1/2-18 UNEF	1.676 (42.7)	1.250 (31.8)	1.785 (45.5)	1.34 (34.0)	2.22 (56.4)	.79 (20.1)	1.67 (42.4)

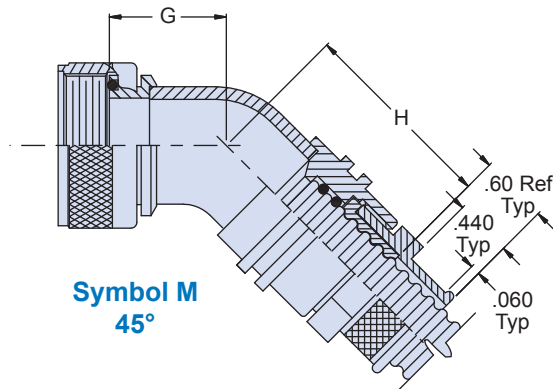


Table II: Finish

Symbol	Material	Finish
M	Aluminum Alloy	Electroless Nickel
MT	Aluminum Alloy	Nickel-PTFE
NF	Aluminum Alloy	CAD/O.D. over Electroless Nickel (1,000 hour salt spray)
Z1	300 Series SST	Passivate
ZM	300 Series SST	Electroless Nickel
ZN	Aluminum Alloy	Zinc Nickel/Olive Drab over Electroless Nickel (1,000 hour salt spray)
ZW	300 Series SST	CAD O.D. over Electroless Nickel

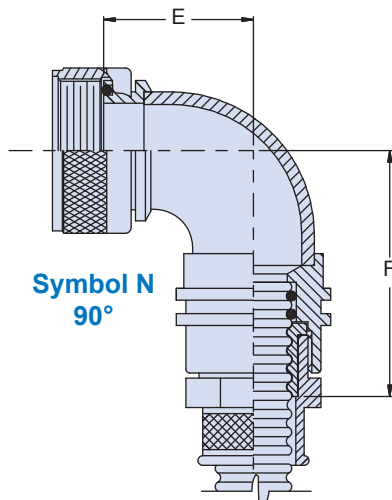


Table IV: Dash No./Dimensions/Shrink Boot

Dash No.	Conduit I.D. Ref		Ø J	Shrink Boot
	Min	Max		
09	0.24 (6.1)	0.28 (7.1)	0.875 (22.4)	<a href="#">770-001S105</a>
12	0.33 (8.4)	0.37 (9.4)	1.062 (26.9)	<a href="#">770-001S106</a>
16	0.45 (11.4)	0.50 (12.7)	1.188 (30.2)	<a href="#">770-001S106</a>
20	0.57 (14.5)	0.62 (15.8)	1.312 (33.3)	<a href="#">770-001S107</a>
24	0.69 (17.5)	0.75 (19.1)	1.500 (38.1)	<a href="#">770-001S107</a>
28	0.81 (20.6)	0.87 (22.1)	1.688 (42.9)	<a href="#">770-001S108</a>
32	0.93 (23.6)	1.00 (25.4)	1.812 (46.0)	<a href="#">770-001S108</a>
40	1.18 (30.0)	1.25 (31.8)	2.062 (52.3)	<a href="#">770-001S108</a>