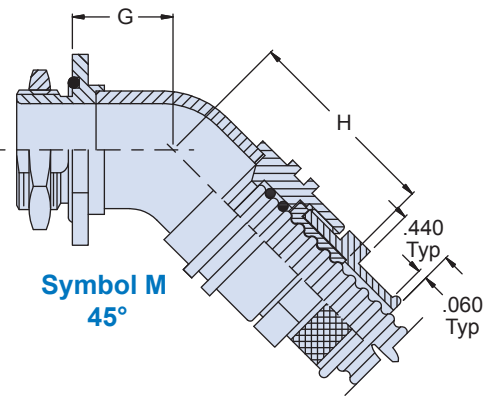
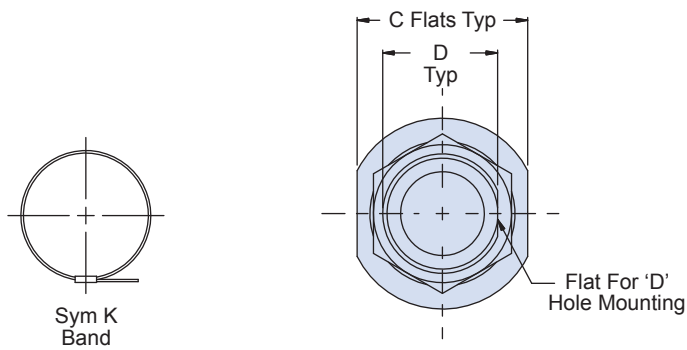
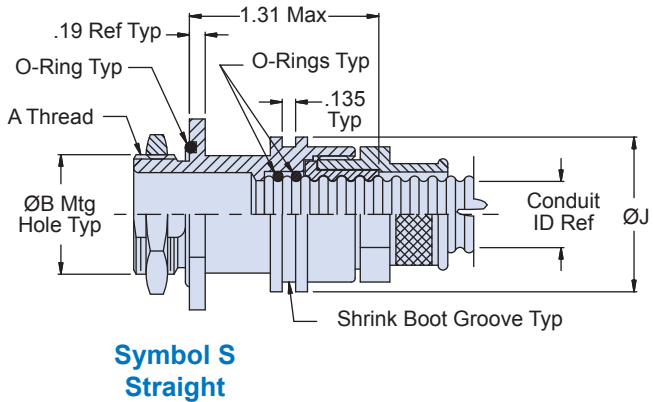
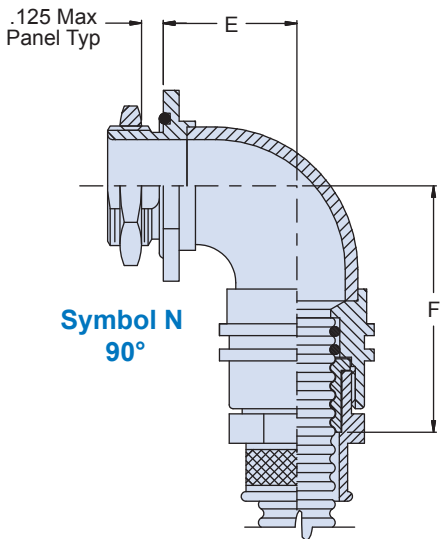
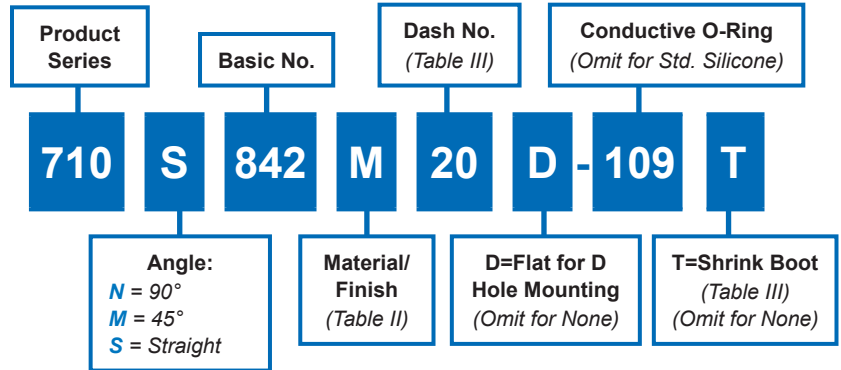


710-842
Sentry System EMI/Environmental
Metal Convuluted Tubing to Bulkhead Feed-Thru Adapter
for Series 72 Annular Convuluted Tubing

Sentry System EMI/environmental bulkhead feed-thru adapter with banding platform and shrink boot lip

How To Order

B



710-842

**Sentry System EMI/Environmental
Metal Convoluted Tubing to Bulkhead Feed-Thru Adapter
for Series 72 Annular Convolute Tubing**



Series 72
Annular Tubing

B

Table III: Dash No./Dimensions

Dash No.	Conduit I.D. Ref		A Thread	ØB +.015 / -.000	C Flats	D +.000 / -.015
	Min	Max				
09	.24 (6.1)	.28 (7.1)	9/16 - 24 UNEF - 2A	0.568 (14.5)	0.812 (20.6)	0.500 (12.7)
12	.33 (8.4)	.37 (9.4)	5/8 - 24 UNEF - 2A	0.630 (16.0)	0.875 (22.4)	0.563 (14.2)
16	.45 (11.4)	.50 (12.7)	3/4 - 20 UNEF - 2A	0.755 (19.3)	1.000 (25.4)	0.688 (17.5)
20	.57 (14.5)	.62 (15.8)	7/8 - 20 UNEF - 2A	0.880 (22.4)	1.125 (28.7)	0.812 (20.6)
24	.69 (17.5)	.75 (19.1)	1 - 20 UNEF - 2A	1.005 (25.7)	1.250 (31.8)	0.938 (23.9)
28	.81 (20.6)	.87 (22.1)	1 3/16 - 18 UNEF - 2A	1.193 (30.2)	1.438 (36.6)	1.125 (28.7)
32	.93 (23.6)	1.00 (25.4)	1 5/16 - 18 UNEF - 2A	1.318 (33.5)	1.562 (39.6)	1.250 (31.8)
40	1.18 (30.0)	1.25 (31.8)	1 1/2 - 18 UNEF - 2A	1.505 (38.4)	1.812 (46.0)	1.438 (36.6)

Table III (continued)

Dash No.	E Max	F Max	G Max	H Max	Ø J	Shrink Boot
09	0.75 (19.1)	1.66 (42.2)	0.53 (13.5)	1.44 (36.6)	0.875 (22.4)	770-001S105
12	0.75 (19.1)	1.66 (42.2)	0.53 (13.5)	1.44 (36.6)	1.052 (26.9)	770-001S106
16	0.81 (20.6)	1.72 (43.7)	0.55 (14.0)	1.46 (37.1)	1.188 (30.2)	770-001S106
20	0.93 (23.6)	1.84 (46.7)	0.60 (15.2)	1.51 (38.4)	1.313 (33.3)	770-001S107
24	1.00 (25.4)	1.91 (48.5)	0.63 (16.0)	1.54 (39.1)	1.500 (38.1)	770-001S107
28	1.12 (28.5)	2.03 (51.6)	0.68 (17.3)	1.59 (40.4)	1.688 (42.9)	770-001S108
32	1.18 (30.0)	2.09 (53.1)	0.71 (18.0)	1.62 (41.2)	1.812 (46.0)	770-001S108
40	1.31 (33.3)	2.22 (56.4)	0.76 (19.3)	1.67 (42.4)	2.062 (52.3)	770-001S108

Table II: Finish

Sym	Material	Finish Description
M	Aluminum Alloy	Electroless Nickel
MT	Aluminum Alloy	Nickel-PTFE
NF	Aluminum Alloy	CAD/O.D. over Electroless Nickel (1,000 hour salt spray)
Z1	300 Series SST	Passivate
ZM	300 Series SST	Electroless Nickel
ZN	Aluminum Alloy	Zinc Nickel/Olive Drab over Electroless Nickel (1,000 hour salt spray)
ZW	300 Series SST	CAD O.D. over Electroless Nickel

Material and Finish

- Adapters, jam nuts, RFI nuts & elbows: See Table II
- Split Bushings: Kynar/N.A.
- Band: CRES/Passivated
- O-Rings: Silicone/N.A.
- Shrink Boot: See individual drawing