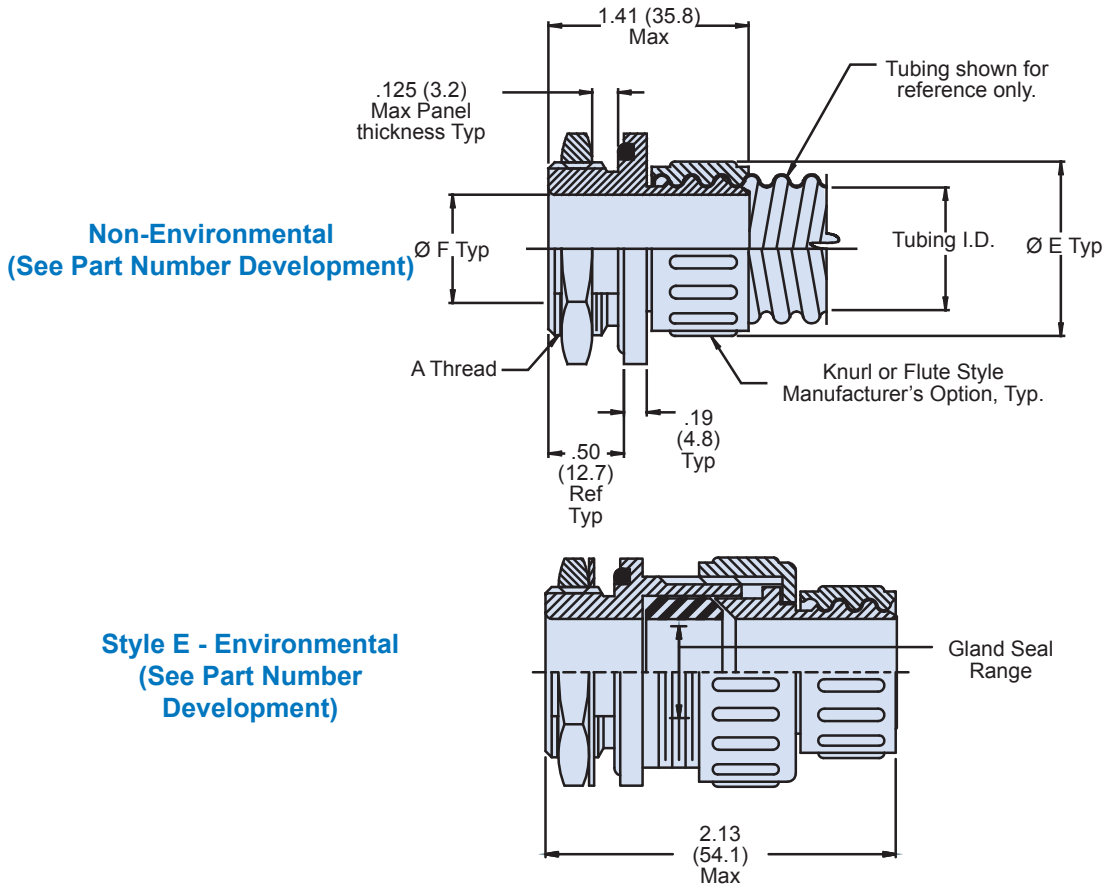
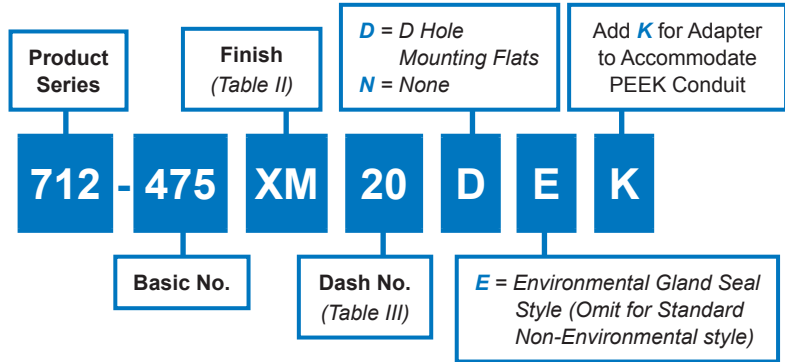




712-475
Lightweight Composite Hummer-Nut System
 Bulkhead Fitting, Environmental or Non-Environmental
 for Series 74 PEEK or Standard Tubing

Lightweight Composite Hummer-Nut convoluted tubing-to-bulkhead fitting

How To Order



Material/Finish

- Adapters, jam nuts, ferrules: High grade engineering thermoplastic/See Table II
- O-Ring, Gland seal: Silicone/NA
- Washer: CRES/Passivated

712-475
Lightweight Composite Hummer-Nut System
Bulkhead Backshell for Environmental or
Non-Environmental for Series 74 PEEK or Standard Tubing

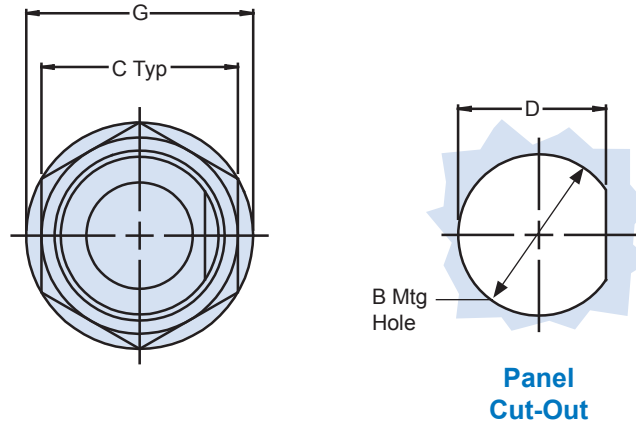


Table III: Dash No./Dimensions

Dash No.	A Thread Class 2A	Ø B ± .015 - .000	C Across Flats	D + .000 - .015	Ø E Max	Ø F Max	Ø G Max	H ± .005	Tubing I.D.		Gland Seal Range	
									Min	Max	Min	Max
06	M16 X 1.5	.640 (16.3)	.875 (22.2)	.595 (15.1)	.500 (12.7)	.162 (4.10)	1.02 (25.9)	.570 (14.5)	.181 (4.60)	.187 (4.70)	.156 (4.00)	.250 (6.40)
09	M16 X 1.5	.640 (16.3)	.875 (22.2)	.595 (15.1)	.600 (15.2)	.244 (6.20)	1.02 (25.9)	.570 (14.5)	.273 (6.90)	.281 (7.10)	.156 (4.00)	.250 (6.40)
10	M16 X 1.5	.640 (16.3)	.875 (22.2)	.595 (15.1)	.630 (16.0)	.274 (7.00)	1.02 (25.9)	.570 (14.5)	.306 (7.80)	.312 (7.90)	.156 (4.00)	.250 (6.40)
12	M16 X 1.5	.640 (16.3)	.875 (22.2)	.595 (15.1)	.700 (17.8)	.326 (8.30)	1.02 (25.9)	.570 (14.5)	.364 (9.20)	.375 (9.5)	.188 (4.80)	.312 (7.90)
14	M20 X 1.5	.802 (20.4)	1.062 (27.0)	.752 (19.1)	.760 (19.3)	.382 (9.70)	1.18 (30.0)	.727 (18.5)	.427 (10.8)	.437 (11.1)	.250 (6.40)	.438 (11.1)
16	M20 X 1.5	.802 (20.4)	1.062 (27.0)	.752 (19.1)	.850 (21.6)	.434 (11.0)	1.18 (30.0)	.727 (18.5)	.485 (12.3)	.500 (13.0)	.250 (6.40)	.438 (11.1)
20	M27 X 2.0	1.078 (27.4)	1.312 (33.3)	1.029 (26.1)	.970 (24.6)	.539 (13.7)	1.45 (36.8)	1.004 (25.5)	.608 (15.4)	.625 (15.9)	.375 (9.50)	.625 (15.9)
22	1-20 UNEF	1.005 (25.5)	1.312 (33.3)	.937 (23.8)	1.00 (25.4)	.649 (16.5)	1.39 (35.3)	.912 (23.2)	.608 (15.4)	.625 (15.9)	.375 (9.5)	.625 (15.9)
24	1-20 UNEF	1.005 (25.5)	1.312 (33.3)	.937 (23.8)	1.140 (29.0)	.649 (16.5)	1.39 (35.3)	.912 (23.2)	.730 (18.5)	.750 (19.1)	.375 (9.50)	.625 (15.9)
28	M27 X 2.0	1.078 (27.4)	1.312 (33.3)	1.029 (26.1)	1.280 (32.5)	.769 (19.5)	1.45 (36.8)	1.004 (25.5)	.860 (21.8)	.875 (22.2)	.438 (11.1)	.750 (19.1)
32	M36 X 2.0	1.437 (36.5)	1.750 (44.5)	1.403 (35.6)	1.450 (36.8)	.868 (22.0)	1.81 (46.0)	1.370 (34.8)	.975 (24.8)	1.000 (25.4)	.625 (15.9)	.938 (23.8)
40	1 1/2-18 UNEF	1.505 (38.2)	1.750 (44.5)	1.437 (36.5)	1.760 (44.7)	1.078 (27.4)	1.89 (48.0)	1.412 (35.9)	1.210 (30.7)	1.250 (31.8)	.875 (22.2)	1.250 (31.8)
48	1 3/4-18 UNEF	1.755 (44.6)	2.000 (50.8)	1.687 (42.8)	2.060 (52.3)	1.200 (30.5)	2.14 (54.4)	1.662 (42.2)	1.437 (36.5)	1.500 (38.1)	1.000 (25.4)	1.375 (34.9)
56	2-18 UNS	2.005 (50.9)	2.250 (57.2)	1.937 (49.2)	2.390 (60.7)	1.400 (35.6)	2.39 (60.7)	1.912 (48.6)	1.688 (42.9)	1.750 (44.5)	1.250 (31.8)	1.625 (41.3)
64	2 1/4 - 16 UN	2.255 (57.3)	2.500 (63.5)	2.187 (55.5)	2.570 (65.3)	1.600 (40.6)	2.64 (67.1)	2.162 (54.9)	1.937 (49.2)	2.000 (50.8)	1.250 (31.8)	1.625 (41.3)

Table II: Finish

Sym	Finish
XM	Electroless Nickel
XW	Cadmium Olive Drab over Electroless Nickel
XB	No Plating - Black Material
XO	No Plating - Natural, Non-conductive