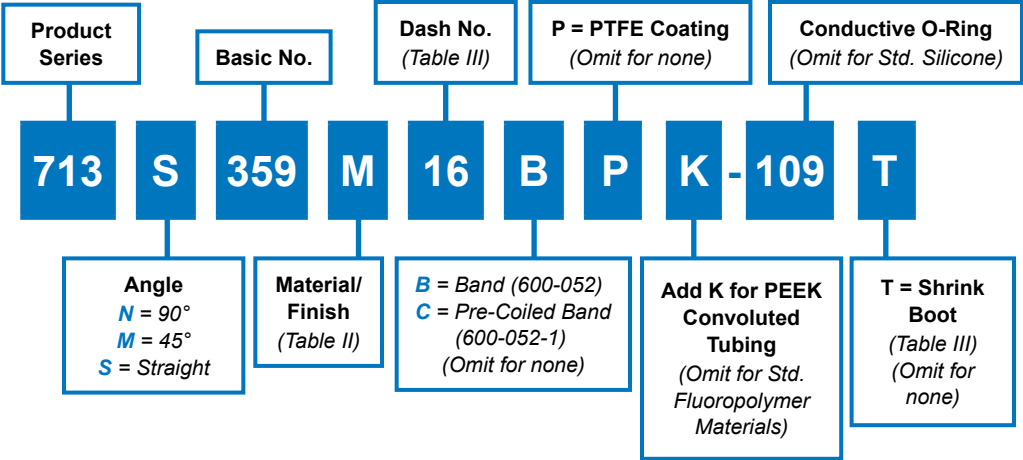




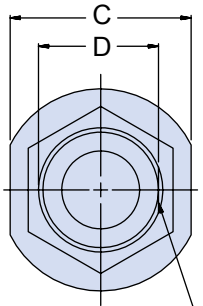
713-359
Hat Trick System
 Environmental Metal Bulkhead Fitting
 with Band Termination for Series 74 Helical Convuluted Tubing

Easy-to-install Hat Trick convoluted tubing-to-bulkhead fitting, metal

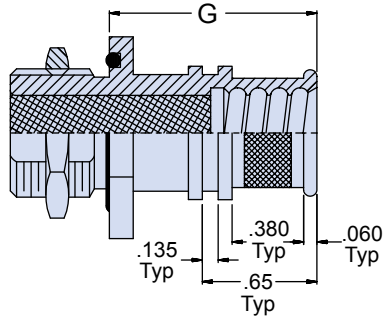
How To Order



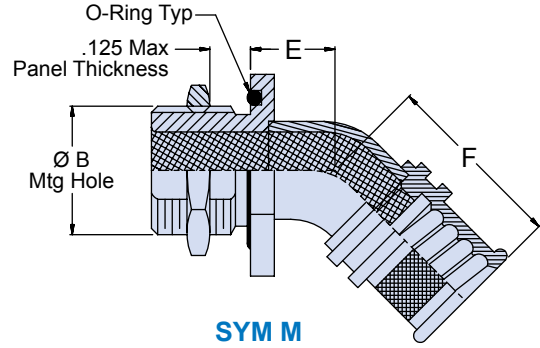
C



Flat For 'D' Hole Mounting
(See P/N Development)



SYM S
Straight



SYM M
Full-Profile
45°



C Option
Pre-Coiled Band

Material and Finish/Notes

- Adapters, Hex Nuts: Table II (See P/N development)
- O-Ring - Silicone/N.A.
- Band - SST/Passivate
- Shrink Boot - See individual drawing.
- *Internal surfaces coated with PTFE in area indicated, see P/N development.

713-359
Hat Trick System
 Environmental Metal Bulkhead Fitting
 with Band Termination for Series 74 Helical Convuluted Tubing



Table III: Dimensions

Dash No.	Conduit ID	A Thread Class 2A	Ø B +.015 -.000	C Flat	Ø D +.000 -.015	E Max	F Max
06	.188 (4.8)	7/16-28 UNEF	.443 (11.3)	.688 (17.5)	.375 (9.5)	.61 (15.5)	1.03 (26.2)
09	.281 (7.1)	9/16-24 UNEF	.568 (14.4)	.812 (20.6)	.500 (12.7)	.64 (16.3)	1.06 (26.9)
10	.312 (7.9)	9/16-24 UNEF	.568 (14.4)	.812 (20.6)	.500 (12.7)	.64 (16.3)	1.06 (26.9)
12	.375 (9.5)	5/8-24 UNEF	.630 (16.0)	.875 (22.2)	.563 (14.3)	.64 (16.3)	1.06 (26.9)
14	.437 (11.1)	11/16-24 UNEF	.693 (17.6)	.938 (23.8)	.625 (15.9)	.66 (16.8)	1.08 (27.4)
16	.500 (12.7)	3/4-20 UNEF	.755 (19.2)	1.000 (25.4)	.688 (17.5)	.66 (16.8)	1.08 (27.4)
20	.625 (15.9)	7/8-20 UNEF	.880 (22.4)	1.125 (28.6)	.812 (20.6)	.71 (18.0)	1.13 (28.7)
24	.750 (19.1)	1-20 UNEF	1.005 (25.5)	1.250 (31.8)	.938 (23.8)	.75 (19.1)	1.26 (32.0)
28	.875 (22.2)	1 3/16-18 UNEF	1.193 (30.3)	1.438 (36.5)	1.125 (28.6)	.79 (20.1)	1.41 (35.8)
32	1.000 (25.4)	1 5/16-18 UNEF	1.318 (33.5)	1.562 (39.7)	1.250 (31.8)	.84 (21.3)	1.44 (36.6)
40	1.250 (31.8)	1 1/2-18 UNEF	1.505 (38.2)	1.812 (46.0)	1.438 (36.5)	.87 (22.1)	1.74 (44.2)
48	1.500 (31.8)	1 3/4-18 UNS	1.755 (44.6)	2.062 (52.4)	1.688 (42.9)	.91 (23.1)	1.79 (45.5)
64	2.500 (63.5)	2 1/4-16 UN	2.255 (57.4)	2.750 (69.6)	2.188 (55.6)	1.30 (33.0)	1.91 (48.5)

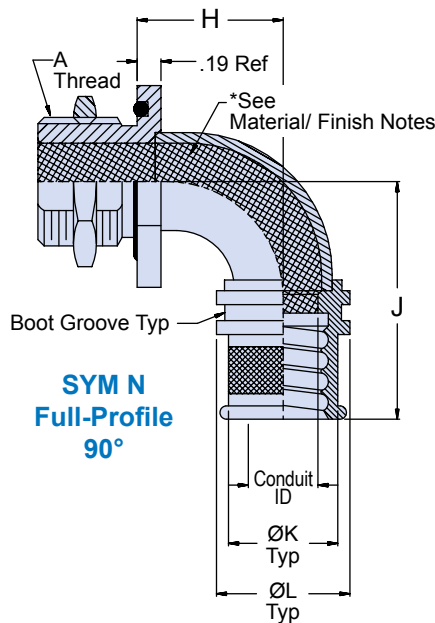


Table III (continued): Dimensions and Shrink Boot

Dash No.	G Max	H Max	J Max	Ø K	Ø L	Shrink Boot Part Number
06	.94 (23.9)	.73 (18.5)	1.21 (30.7)	.419 (10.6)	.481 (12.2)	770-001S103
09	.94 (23.9)	.79 (20.1)	1.28 (32.5)	.513 (13.0)	.575 (14.6)	770-001S104
10	.94 (23.9)	.79 (20.1)	1.28 (32.5)	.549 (13.9)	.611 (15.5)	770-001S104
12	.94 (23.9)	.79 (20.1)	1.28 (32.5)	.609 (15.5)	.671 (17.0)	770-001S104
14	.94 (23.9)	.85 (21.6)	1.34 (34.0)	.670 (17.0)	.732 (18.6)	770-001S104
16	.94 (23.9)	.85 (21.6)	1.34 (34.0)	.749 (19.0)	.811 (20.6)	770-001S105
20	.94 (23.9)	.93 (23.6)	1.46 (37.1)	.869 (22.1)	.931 (23.6)	770-001S106
24	.94 (23.9)	1.00 (25.4)	1.63 (41.4)	1.029 (26.1)	1.091 (27.7)	770-001S106
28	1.00 (25.4)	1.12 (28.4)	1.85 (47.0)	1.172 (29.8)	1.234 (31.3)	770-001S107
32	1.00 (25.4)	1.18 (30.0)	1.91 (48.5)	1.320 (33.5)	1.382 (35.1)	770-001S107
40	1.31 (33.3)	1.31 (33.3)	2.29 (58.2)	1.664 (42.3)	1.726 (43.8)	770-001S108
48	1.31 (33.3)	1.43 (36.3)	2.41 (61.2)	1.957 (49.7)	2.019 (51.3)	770-001S108
64	1.31 (33.3)	2.35 (59.7)	2.85 (72.4)	TBD	TBD	TBD

Table II: Material/Finish

Sym	Material	Finish Description
M	Aluminum Alloy	Electroless Nickel
MT	Aluminum Alloy	Nickel-PTFE
NF	Aluminum Alloy	Cad/O.D. Over Electroless Nickel (1,000 Hour Salt Spray)
Z1	300 Series SST	Passivate
ZN	Aluminum Alloy	Zinc Nickel/O.D. Over Electroless Nickel (1,000 Hour Salt Spray)
ZM	300 Series SST	Electroless Nickel
ZW	300 Series SST	Cad O.D. Over Electroless Nickel