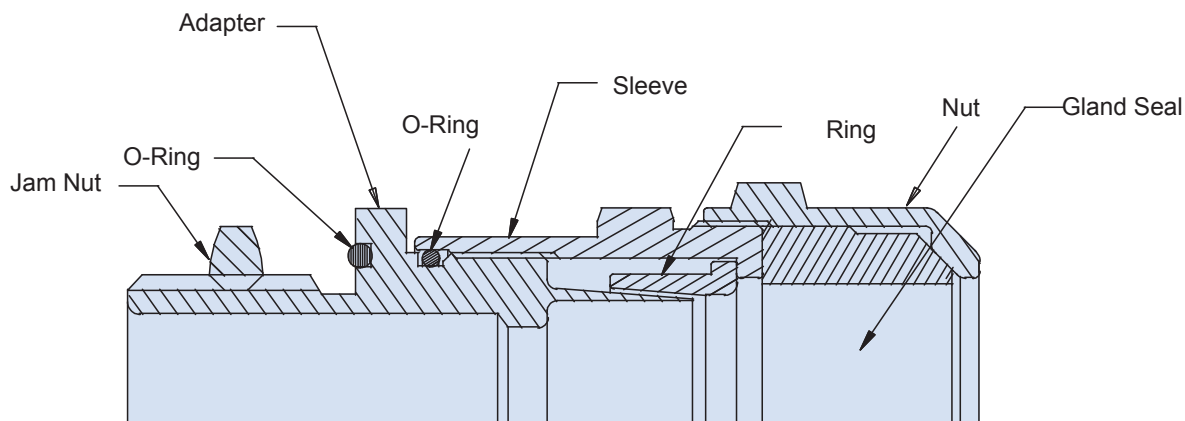


Heavy-Duty Environmental System

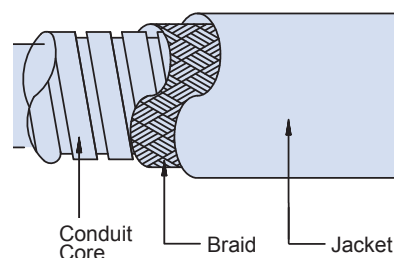


Tools:

- Tin snips or scissors capable of trimming conduit and braid
- Hacksaw, chop saw or tubing cutter
- Anti Seize Compound such as NSN 8030-01 450 4009 Tef Gel
- Razorblade
- Adjustable wrench (Rigid E110 or similar)
- Silicone O-Ring lube
- Vice or second wrench
- Needle-nose pliers

Preassembly instructions: Disassemble fitting and ensure all thread engagements are smooth and burr free. Lubricate gland and O-Ring with silicone lube.

1. Measure conduit to desired length (better long than short) and cut to length.
2. Using snips, trim end of conduit, braid and jacket. Ensure all bent edges are removed or smoothed.
3. Slide sleeve, nut and gland seal up conduit (out of way).
4. Using ring as a guide, cut jacket back 1/4" (6.35mm) wider than ring.
5. Slide ring over braid to edge of jacket.
6. Insert cone portion of adapter under braid and ring over conduit core. Apply anti seize to threads.
7. Slide sleeve down conduit and engage threads on adapter. Tighten sleeve until it bottoms out against adapter. O-Ring should not be visible.
8. Slide gland seal and nut down to engage thread on sleeve. Tighten until only a small portion of blue gland 1/32" (.793mm) seal is visible above nut.



Glenair 600 series backshell assembly tools are recommended for assembly and installation. A catalog is available on request, or may be accessed on the internet at www.glenair.com.