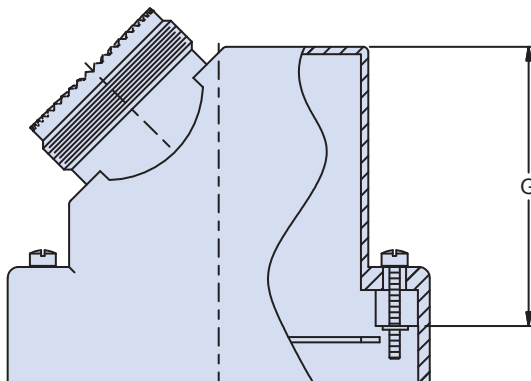
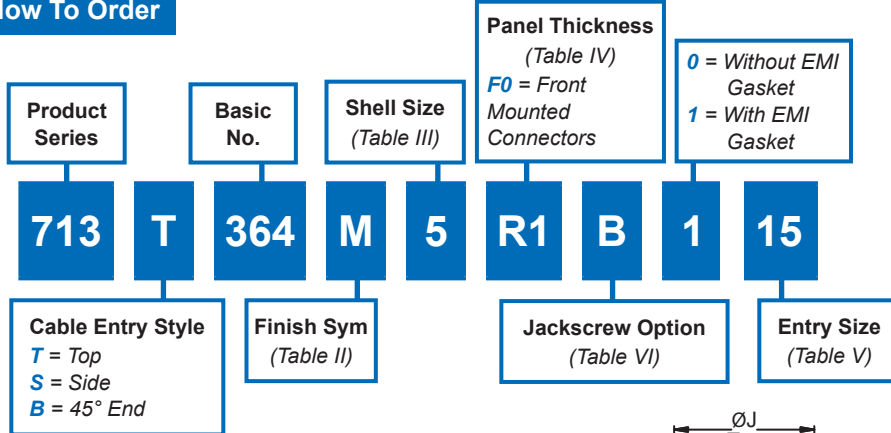
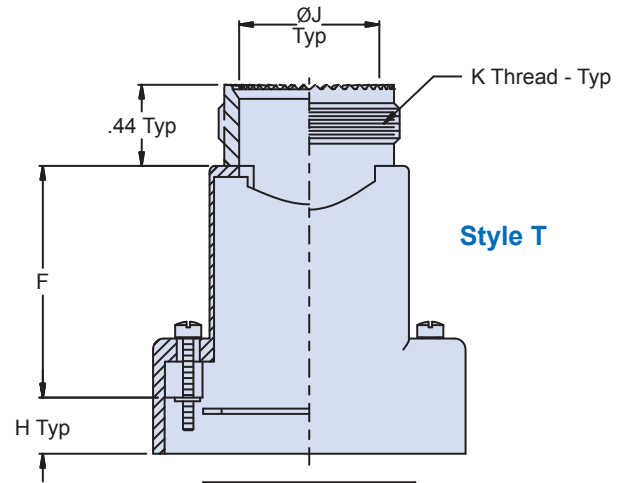


M24308 D-subminiature connector adapter with MIL-DTL-38999 Series III (H code) accessory thread and interface teeth and optional EMI/RFI gasket

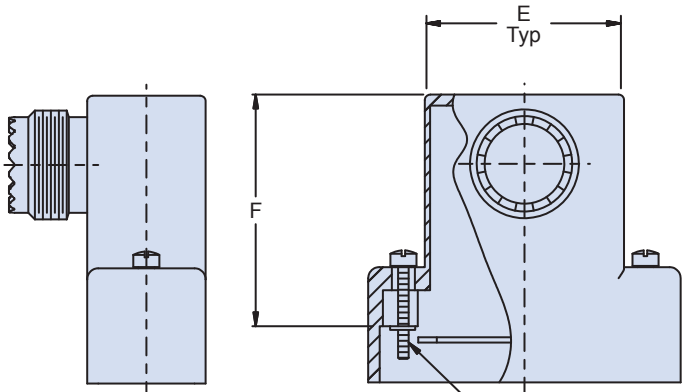
How To Order



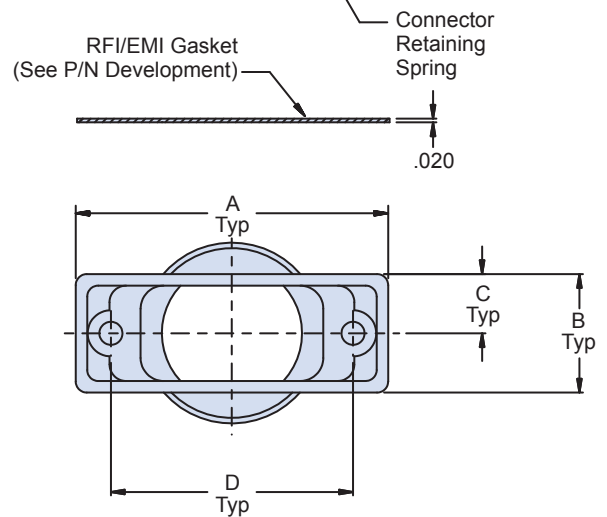
Style B
45°



Style T



Style S



713-364

M24308 D-Subminiature Connector Adapter

Top, Side, 45° Entry



Male Jackscrew Options

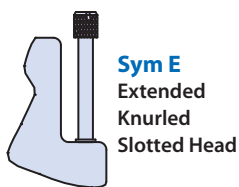


Table III: Shell Size/Dimensions

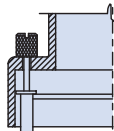
Shell Size	Com'l Shell Size (Ref)	A Max	B Max	C Ref	D ± .005	E Dim	F ± .031	G ± .031	Max Entry
1	E/09	1.393 (35.4)	.624 (15.8)	.312 (7.92)	.984 (25.0)	757 (19.2)	1.03 (26.2)	1.41 (35.8)	13
2	A/15	1.709 (43.4)	.624 (15.8)	.312 (7.92)	1.312 (33.3)	1.088 (27.6)	1.19 (30.2)	1.51 (38.4)	15
3	B/25	2.265 (57.5)	.624 (15.8)	.312 (7.92)	1.852 (47.0)	1.622 (41.2)	1.31 (33.3)	1.59 (40.4)	17
4	C/37	2.900 (73.7)	.624 (15.8)	.312 (7.92)	2.500 (63.5)	2.275 (57.8)	1.31 (33.3)	1.62 (41.1)	17
5	D/50	2.800 (71.1)	.750 (19.1)	.375 (9.53)	2.406 (61.1)	2.175 (55.2)	1.54 (39.1)	1.77 (45.0)	21
6	F/104	2.900 (73.7)	.844 (21.4)	.422 (10.7)	2.500 (63.5)	2.285 (58.0)	1.54 (39.1)	1.78 (45.2)	21

Table II: Material/Finish

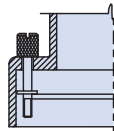
Sym	Material	Finish Description
B	Aluminum	Cadmium, Olive Drab
C		Anodize, Black (Non-Conductive)
M		Electroless Nickel
MT		Nickel-PTFE
NF		Cadmium/Olive Drab Over Electroless Nickel
UCR		Zinc Cobalt/Black
ZN		Zinc Nickel/Olive Drab Over Electroless Nickel
ZNU		Zinc Nickel/Black Over Electroless Nickel
Z1		Passivate
ZM	Stainless Steel	Electroless Nickel
ZMT		Nickel-PTFE
ZW		Cadmium/Olive Drab Over Electroless Nickel

Table IV: Panel Thickness

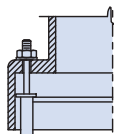
Dash No.	Panel Thickness	H
CC	N/A	.174 (4.41)
F0	N/A	.343 (8.71)
R1	.031 (.790)	.247 (6.27)
R2	.047 (1.19)	.231 (5.87)
R3	.062 (1.57)	.216 (5.49)
R4	.093 (2.36)	.185 (4.70)
R5	.104 (2.64)	.174 (4.42)
R6	.125 (3.20)	.153 (3.89)
R7	.156 (4.00)	.125 (3.20)
R8	.135 (3.43)	.140 (3.60)
R9	.188 (4.80)	.094 (2.39)



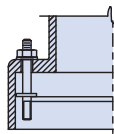
Turnable Female



Turnable Male



Fixed Females



Fixed Males

Table V: Entry Size

Entry Size	Conduit Size (Ref)	Ø J	K Thread ISO Metric
09	06, 09	.281 (7.14)	M12 X 1.0-6g
11	10, 12	.397 (10.1)	M15 X 1.0-6g
13	14, 16	.511 (13.0)	M18 X 1.0-6g
15	20	.636 (16.2)	M22 X 1.0-6g
17	24	.761 (19.3)	M25 X 1.0-6g
19	28	.875 (22.2)	M28 X 1.0-6g
21	32	1.000 (25.4)	M31 X 1.0-6g

Table VI: Jackscrew Options

Symbol	Description
A	Socket Head
B	Fillister Head
D	Drilled Fillister Head
E	Extended Knurled Slotted Head
H	Hex Head
K	Knurled Slotted Head
Polarizing Jackscrew Options	
F	Turnable Male and Female
L	Turnable Females
M	Turnable Males
N	Fixed Male and Female
P	Fixed Females
R	Fixed Males

Material and Finish

- Adapter: See Table II
- Jackscrews, Hardware: CRES/Passivate
- Gasket: Metex (Monel Mesh/Silicone) or equiv/NA

Notes

- MIL-DTL-38999, Series III accessory interface (Glenair Code H). Entry size corresponds to MIL-DTL-38999 series III shell size.
- For front mount, mating connector must be mounted to panel using M24308/26 female screw locks (float mounts cannot be used). For rear mounted applications, use 559-001.
- Symbol E hardware is not available with style B (45°) cable entries, style T (top) shell size 1 (all entries) and shell size 2 with entry sizes 13 & 15.