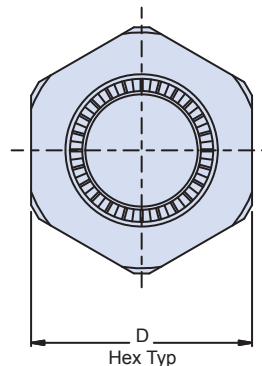
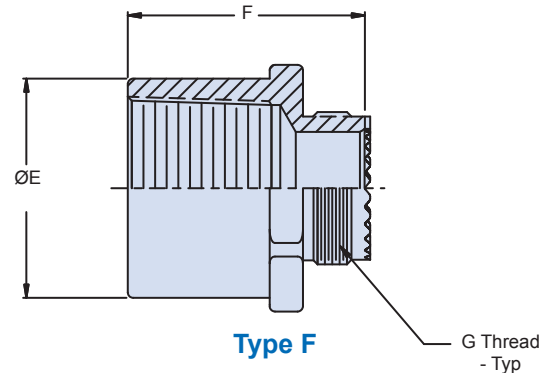
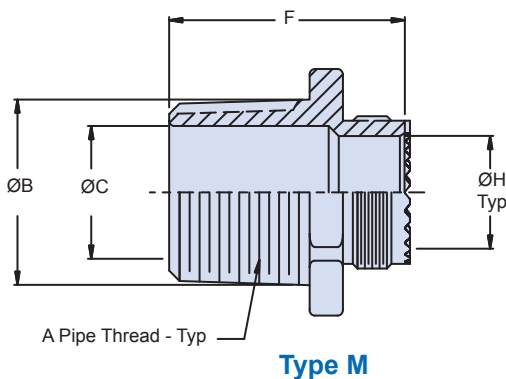
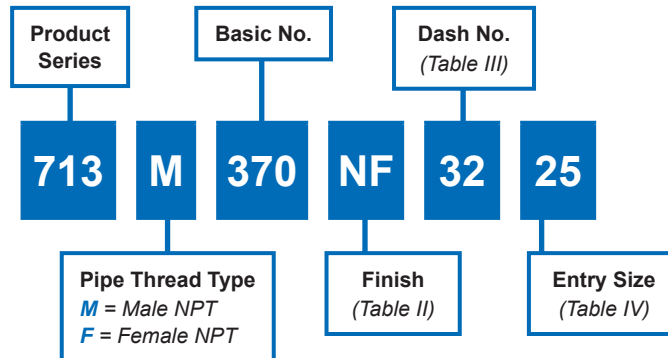


Pipe thread adapter with MIL-DTL-38999 Series III (H code) accessory thread and interface teeth

How To Order



Notes

- Entry size corresponds to MIL-DTL-38999 Series III shell size.

713-370 Pipe Thread Adapter



Table III: Dash No./Dimensions

Dash No	A Pipe Thread NPT	B Dia	C Dia	D Hex	E Dia Max	F Max	Max Entry Size
08	¼	0.540 (13.7)	0.250 (6.4)	0.625 (15.9)	0.625 (15.9)	1.31 (33.3)	11
12	⅜	0.675 (17.1)	0.375 (9.5)	0.875 (22.2)	0.875 (22.2)	1.31 (33.3)	15
16	½	0.840 (21.3)	0.500 (12.7)	1.000 (25.4)	1.000 (25.4)	1.52 (38.6)	17
24	¾	1.050 (26.7)	0.750 (19.1)	1.250 (31.8)	1.250 (31.8)	1.52 (38.6)	21
32	1	1.315 (33.4)	1.000 (25.4)	1.500 (38.1)	1.500 (38.1)	1.83 (46.5)	25
40	1 ¼	1.660 (42.2)	1.250 (31.8)	1.750 (44.5)	1.750 (44.5)	1.85 (47.0)	25
48	1 ½	1.900 (48.3)	1.500 (38.1)	2.250 (57.2)	2.125 (54.0)	1.85 (47.0)	37
64	2	2.375 (60.3)	2.000 (50.8)	2.500 (63.5)	2.500 (63.5)	1.85 (47.0)	37

Table IV: Entry Size

Entry Size	G Thread Iso Metric	H Dia
09	M12 X 1.0-6g	.281 (7.1)
11	M15 X 1.0-6g	.397 (1.1)
13	M18 X 1.0-6g	.511 (13.0)
15	M22 X 1.0-6g	.636 (16.2)
17	M25 X 1.0-6g	.761 (19.3)
19	M28 X 1.0-6g	.875 (22.2)
21	M31 X 1.0-6g	1.000 (25.4)
23	M34 X 1.0-6g	1.125 (28.6)
25	M37 X 1.0-6g	1.250 (31.8)
33	M45 X 1.5-6g	1.530 (38.9)
37	M50 X 1.5-6g	1.750 (44.5)

Table II: Finish

Sym	Material	Finish Description
B	Aluminum Alloy	Cadmium, Olive Drab
C		Anodize, Black
M		Electroless Nickel
MT		Nickel - PTFE
NF		Cadmium/Olive Drab over Electroless Nickel
UCR		Zinc Cobalt/Black
ZN		Zinc Nickel/Olive Drab over Electroless Nickel
ZNU		Zinc Nickel/Black over Electroless Nickel
Z1		Passivate
ZM		Stainless Steel
ZMT	Nickel - PTFE	
ZW	Cad/Olive Drab over Electroless Nickel	

