

SERIES 79 MICRO-CRIMP RECTANGULAR CONNECTORS

Backshells and Accessories



799-164

Piggyback EMI Banding Backshell, Series 792

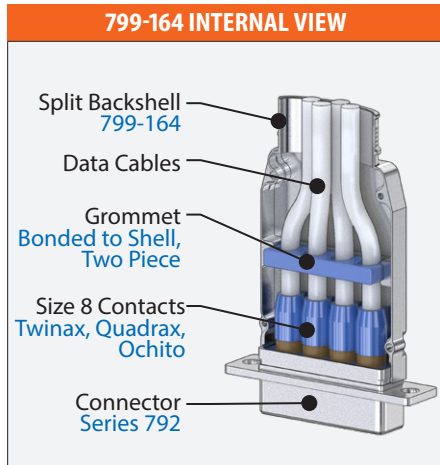
- ◆ for Series 792 connectors
- ◆ Internal grommet fits high speed data cables



EMI, piggyback, split. 799-164 piggyback backshell fits Series 792 connectors with rear groove on shell. Internal fluorosilicone wire strain relief grommet accommodates high speed cables. Available with Qwik-Ty strain relief arm or slots/holes for lacing tape. Terminate cable shield to backshell with BandMaster ATS band strap. Aluminum with stainless steel screws.

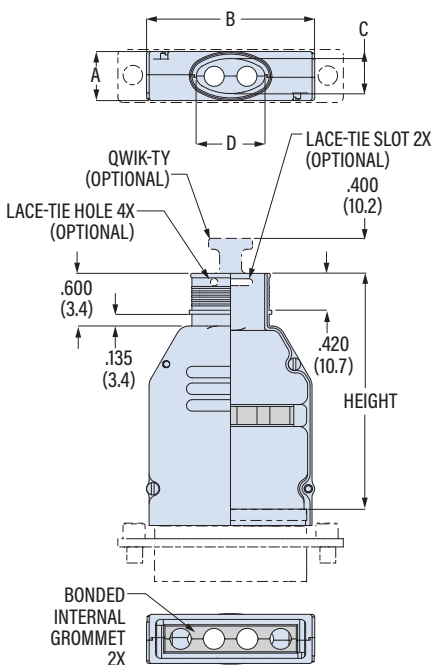
799-164

This accessory fits Series 792 cable connectors with #8 insert arrangements.
792-001, 792-002
Not for use with insert arrangements with #23 contacts.



HOW TO ORDER

Sample Part Number	799-164	M	D	B	T	N	2
Basic Part Number	799-164						
Finish	M	Electroless Nickel					
	MT	Nickel / PTFE					
	N	Olive Drab Cadmium					
	TZ	Tin-Zinc					
Shell Size	ZR	Black Zinc-Nickel					
	A	B					
	B	C					
	C	D					
Band	D	E					
	E	F					
	B	Standard Band Included					
	S	Slim Standard Band Included					
	M	Micro Band Included					
Qwik-Ty	J	Micro Slim Band Included					
	L	Micro-Max Band Included					
	T	Qwik-Ty Strain Relief Arm					
Lace-Tie Option	N	No Qwik-Ty					
	H	Holes for Lace-Tie					
	S	Slots for Lace-Tie					
Cable Size	N	No Lace-Tie Provision					
	1	.188 (4.8) Max Individual Cable Diameter					
	2	.250 (6.4) Max Individual Cable Diameter					
	3	.313 (8.0) Max Individual Cable Diameter					



Shell Size	A Max		B Max		Height		Cable Size 1		Cable Size 2		Cable Size 3							
	in	mm	in	mm	in	mm	in	mm	in	mm	in	mm						
A	.575	14.6	.810	20.6	2.380	60.5	.200	5.1	.300	7.6	.260	6.6	.360	9.1	.320	8.1	.420	10.7
B	.575	14.6	1.185	30.1	2.690	68.3	.250	6.4	.390	9.9	.340	8.6	.510	13.0	.380	9.7	.630	16.0
C	.575	14.6	1.560	39.6	2.940	74.7	.400	10.2	.440	11.2	.400	10.2	.740	18.8	.400	10.2	.940	23.9
D	.575	14.6	1.935	49.1	3.120	79.2	.400	10.2	.520	13.2	.400	10.2	.960	24.4	.400	10.2	1.250	31.8
E	.575	14.6	2.310	58.7	3.310	84.1	.400	10.2	.690	17.5	.400	10.2	1.170	29.7	.400	10.2	1.550	39.4
F	.950	24.1	2.310	58.7	3.380	85.9	.700	17.8	.700	17.8	.775	19.7	.775	19.7	.775	19.7	1.650	41.9

BAND OPTIONS

Stainless steel band strap provides fast, cost-effective and highly reliable termination of braided metallic shielding. *Slim Standard* and *Micro Slim* bands have reduced thickness for weight reduction. High tension *Micro-Max* bands reduce braid-to-shell electrical resistance.

Band Type	Band Width	Band P/N 14" Length Pre-Coiled	Hand Tool	Pneumatic Tool
Standard	.24 (6.1)	601-041	601-100	601-106
Slim Standard	.24 (6.1)	601-573	601-109	601-110
Micro	.12 (3.0)	601-065	601-101	601-107
Micro Slim	.12 (3.0)	601-603	601-122	601-123
Micro-Max	.12 (3.0)	601-703	601-129	601-130

BACKSHELLS AND ACCESSORIES