

SERIES 79 MICRO-CRIMP RECTANGULAR CONNECTORS

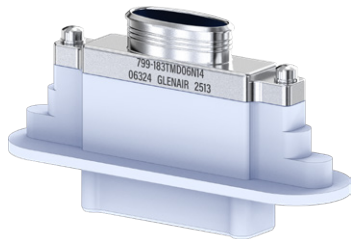
Backshells and Accessories



799-183

Piggyback EMI Banding Backshell, Panel Mount

- ◆ Fits Series 792 connectors
- ◆ Band-Master® shield termination
- ◆ Top entry



799-183

This accessory fits Series 792 panel mount connectors:
792-003, 792-004, 792-013, 792-014

799-183 piggyback backshell fits panel mount Series 792 connectors. Terminate cable shield to backshell with BandMaster ATS band strap. Aluminum or stainless steel with stainless steel screws.

BAND OPTIONS

Terminate cable braid to backshell with optional Micro band strap and banding tool. Stainless steel band strap is .12 (3.0) wide. Pre-coiled bands are passivated stainless steel. *Micro Slim* bands have reduced thickness for weight reduction. *Micro-Max* bands are high-tension for lower-resistivity termination.



Band Type	Hand Tool	Pneumatic Tool
Micro	601-101	601-107
Micro Slim	601-122	601-123
Micro-Max	601-129	601-130

HOW TO ORDER

Sample Part Number **799-183T M D 07 M 14**

Basic Part Number **799-183T** **T** Top Entry

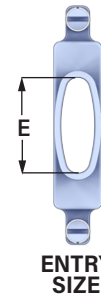
Material / Finish

M	Alum / Electroless Nickel
MT	Alum / Nickel - PTFE
N	Alum / Olive Drab Cadmium
TZ	Alum / Tin-Zinc
ZR	Alum / Black Zinc-Nickel
Z1	Stainless Steel / Passivated

Shell Size **A B C D E F**

Entry Size

Entry Size	E	Shell Size
01	.360 (9.1)	A thru E
02	.405 (10.3)	A thru E
03	.555 (14.1)	B thru E
04	.655 (16.6)	B thru E
05	.780 (19.8)	B thru F
06	.920 (23.4)	C thru F
07	1.155 (29.3)	C thru F
08	1.300 (33.0)	D thru F
09	1.415 (35.9)	D thru F
10	1.530 (38.9)	D thru F
11	1.705 (43.3)	E thru F
12	1.600 (40.6)	E thru F
13	1.905 (48.4)	F



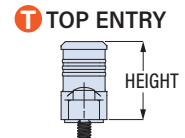
Band

M	Micro Band Included
J	Micro Slim Band Included
L	Micro-Max Band Included

Height Code

Code	Height	Shell Size
09	.56 (14.2)	A thru F
11	.69 (17.5)	A thru F
14	.88 (22.4)	A thru F
16	1.00 (25.4)	A thru F
19	1.19 (30.2)	A thru F
22	1.38 (34.9)	A thru F
26	1.63 (41.3)	A thru F
30	1.88 (47.6)	A thru F

Height code in 1/16 increments.



BACKSHELLS AND ACCESSORIES

SERIES 79 MICRO-CRIMP RECTANGULAR CONNECTORS

Backshells and Accessories

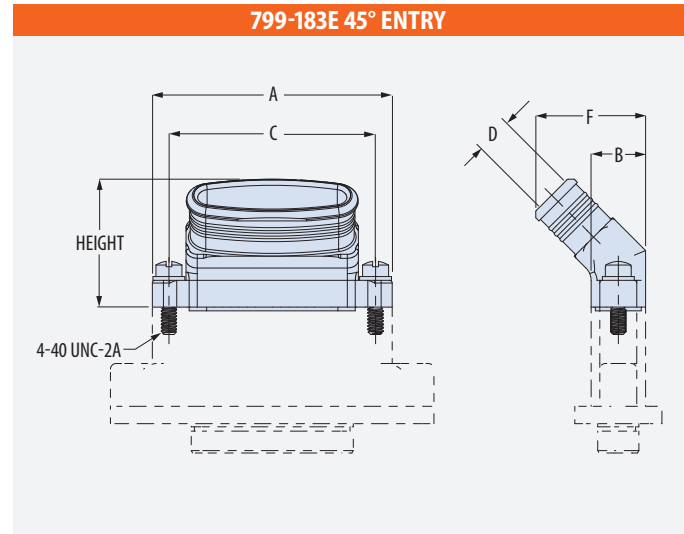
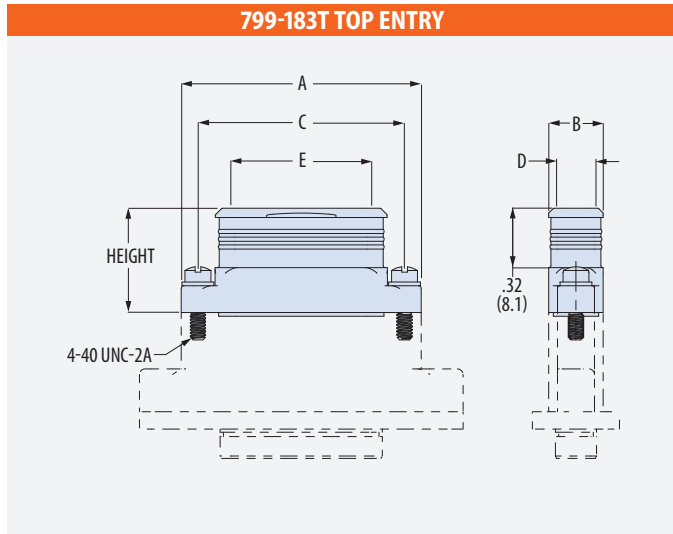


799-183

Piggyback EMI Banding Backshell, Panel Mount

- ◆ Elliptical entry
- ◆ Band-Master® shield termination
- ◆ Top and 45° entry

BACKSHELLS AND ACCESSORIES



Shell Size	A Max		B Max		C		D		F		Available Entries
	in	mm	in	mm	in	mm	in	mm	in	mm	
A	1.320	33.5	.475	12.1	1.075	27.3	.360	9.1	.760	19.3	01 thru 02
B	1.695	43.1	.475	12.1	1.450	36.8	.360	9.1	.760	19.3	01 thru 05
C	2.070	52.6	.475	12.1	1.825	46.4	.360	9.1	.760	19.3	01 thru 07
D	2.445	62.1	.475	12.1	2.200	55.9	.360	9.1	.760	19.3	01 thru 10
E	2.820	71.6	.475	12.1	2.575	65.4	.360	9.1	.760	19.3	01 thru 13
F	2.820	71.6	.850	21.6	2.575	65.4	.730	18.5	1.130	28.7	05 thru 13

Entry Size	E		Available Sizes
	in	mm	
01	.360	9.1	A thru E
02	.405	10.3	A thru E
03	.555	14.1	B thru E
04	.655	16.6	B thru E
05	.780	19.8	B thru F
06	.920	23.4	C thru F
07	1.155	29.3	C thru F
08	1.300	33.0	D thru F
09	1.415	35.9	D thru F
10	1.530	38.9	D thru F
11	1.705	43.3	E thru F
12	1.600	40.6	E thru F
13	1.905	48.4	F