

# SERIES 79 MICRO-CRIMP RECTANGULAR CONNECTORS

## Backshells and Accessories

**SERIES**  
**79**

### 799-257

### Piggyback EMI Banding Backshell, Series 792

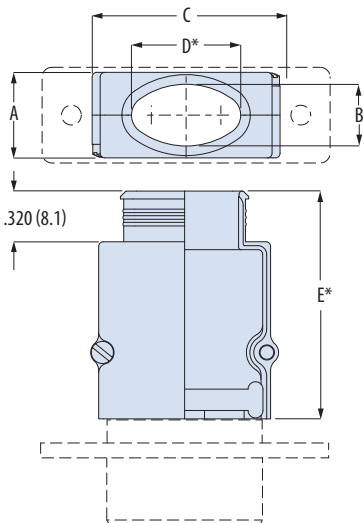
- ◆ Fits Series 792 connectors
- ◆ Band-Master® shield termination
- ◆ Variable entry size



**799-257**

This accessory fits Series 792 connectors  
*792-001, 792-002*

799-257 piggyback backshell fits Series 792 connectors with rear groove on shell. Terminate cable shield to backshell with BandMaster ATS band strap. Aluminum with stainless steel screws.



\*SEE HOW TO ORDER TABLES FOR D AND E DIMS

Shell Size	A Max		B Max		C Max		Available Entries
	in	mm	in	mm	in	mm	
A	.555	14.1	.390	9.9	.825	21.0	03
B	.555	14.1	.390	9.9	1.200	30.5	03 thru 06
C	.555	14.1	.390	9.9	1.575	40.0	03 thru 08
D	.555	14.1	.390	9.9	1.950	49.5	03 thru 12
E	.555	14.1	.390	9.9	2.325	59.1	03 thru 15
F	.930	23.6	.765	19.4	2.325	59.1	06 thru 15

#### HOW TO ORDER

Sample Part Number	799-257	M	D	09	N	06																																										
<b>Basic Part Number</b>	<b>799-257</b>																																															
<b>Finish</b>	<ul style="list-style-type: none"> <li><b>M</b> Electroless Nickel</li> <li><b>MT</b> Nickel / PTFE</li> <li><b>N</b> Olive Drab Cadmium</li> <li><b>TZ</b> Tin-Zinc</li> <li><b>ZR</b> Black Zinc-Nickel</li> </ul>																																															
<b>Shell Size</b>	<b>A B C D E F</b>																																															
<b>Entry Size</b>	<table border="1"> <thead> <tr> <th>Entry Size</th> <th>D</th> <th>Shell Size</th> </tr> </thead> <tbody> <tr><td>03</td><td>.440 (11.2)</td><td>A thru E</td></tr> <tr><td>04</td><td>.540 (13.7)</td><td>B thru E</td></tr> <tr><td>05</td><td>.690 (17.5)</td><td>B thru E</td></tr> <tr><td>06</td><td>.810 (20.6)</td><td>B thru F</td></tr> <tr><td>07</td><td>1.000 (25.4)</td><td>C thru F</td></tr> <tr><td>08</td><td>1.190 (30.2)</td><td>C thru F</td></tr> <tr><td>09</td><td>1.305 (33.1)</td><td>D thru F</td></tr> <tr><td>10</td><td>1.420 (36.1)</td><td>D thru F</td></tr> <tr><td>11</td><td>1.500 (38.1)</td><td>D thru F</td></tr> <tr><td>12</td><td>1.600 (40.6)</td><td>D thru F</td></tr> <tr><td>13</td><td>1.750 (44.5)</td><td>E thru F</td></tr> <tr><td>14</td><td>1.875 (47.6)</td><td>E thru F</td></tr> <tr><td>15</td><td>2.000 (50.8)</td><td>E thru F</td></tr> </tbody> </table>	Entry Size	D	Shell Size	03	.440 (11.2)	A thru E	04	.540 (13.7)	B thru E	05	.690 (17.5)	B thru E	06	.810 (20.6)	B thru F	07	1.000 (25.4)	C thru F	08	1.190 (30.2)	C thru F	09	1.305 (33.1)	D thru F	10	1.420 (36.1)	D thru F	11	1.500 (38.1)	D thru F	12	1.600 (40.6)	D thru F	13	1.750 (44.5)	E thru F	14	1.875 (47.6)	E thru F	15	2.000 (50.8)	E thru F					
Entry Size	D	Shell Size																																														
03	.440 (11.2)	A thru E																																														
04	.540 (13.7)	B thru E																																														
05	.690 (17.5)	B thru E																																														
06	.810 (20.6)	B thru F																																														
07	1.000 (25.4)	C thru F																																														
08	1.190 (30.2)	C thru F																																														
09	1.305 (33.1)	D thru F																																														
10	1.420 (36.1)	D thru F																																														
11	1.500 (38.1)	D thru F																																														
12	1.600 (40.6)	D thru F																																														
13	1.750 (44.5)	E thru F																																														
14	1.875 (47.6)	E thru F																																														
15	2.000 (50.8)	E thru F																																														
<b>Band</b>	<ul style="list-style-type: none"> <li><b>M</b> Micro Band Included</li> <li><b>J</b> Micro Slim Band Included</li> <li><b>L</b> Micro-Max Band Included</li> </ul>																																															
<b>Height Code</b>	<table border="1"> <thead> <tr> <th>Height Code</th> <th>E</th> </tr> </thead> <tbody> <tr><td>05</td><td>1.310 (33.3)</td></tr> <tr><td>06</td><td>1.440 (36.6)</td></tr> <tr><td>07</td><td>1.560 (39.6)</td></tr> <tr><td>08</td><td>1.690 (42.9)</td></tr> <tr><td>09</td><td>1.810 (46.0)</td></tr> <tr><td>10</td><td>1.940 (49.3)</td></tr> <tr><td>11</td><td>2.060 (52.3)</td></tr> <tr><td>12</td><td>2.190 (55.6)</td></tr> <tr><td>13</td><td>2.310 (58.7)</td></tr> <tr><td>14</td><td>2.440 (62.0)</td></tr> <tr><td>15</td><td>2.560 (65.0)</td></tr> </tbody> </table>	Height Code	E	05	1.310 (33.3)	06	1.440 (36.6)	07	1.560 (39.6)	08	1.690 (42.9)	09	1.810 (46.0)	10	1.940 (49.3)	11	2.060 (52.3)	12	2.190 (55.6)	13	2.310 (58.7)	14	2.440 (62.0)	15	2.560 (65.0)																							
Height Code	E																																															
05	1.310 (33.3)																																															
06	1.440 (36.6)																																															
07	1.560 (39.6)																																															
08	1.690 (42.9)																																															
09	1.810 (46.0)																																															
10	1.940 (49.3)																																															
11	2.060 (52.3)																																															
12	2.190 (55.6)																																															
13	2.310 (58.7)																																															
14	2.440 (62.0)																																															
15	2.560 (65.0)																																															

#### BAND OPTIONS

Stainless steel band strap provides fast, cost-effective and highly reliable termination of braided metallic shielding. *Micro Slim* bands have reduced thickness for weight reduction. High tension *Micro-Max* bands reduce braid-to-shell electrical resistance.



Band Type	Band Width	Band P/N 14" Length Pre-Coiled	Hand Tool	Pneumatic Tool
Micro	.12 (3.0)	<b>601-065</b>	<b>601-101</b>	<b>601-107</b>
Micro Slim	.12 (3.0)	<b>601-603</b>	<b>601-122</b>	<b>601-123</b>
Micro-Max	.12 (3.0)	<b>601-703</b>	<b>601-129</b>	<b>601-130</b>