

El Ochito® Autoshrink Boot

777-046 Autoshrink Boot

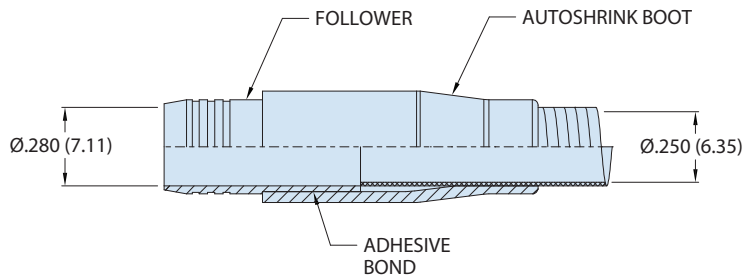
777-046 AutoShrink D Size #8 Contact Follower with Pre-Installed Boot is a labor-saving shrink-boot solution for environmental protection of El Ochito Type I contacts. Designed for rugged weathering, UV and ozone-resistant performance, Glenair Autoshrink offers improved sealing for non-uniform wall jackets. Built from Glenair Duraelectric D material, the Autoshrink contact follower is fully hydrophobic and resistant to caustic chemicals and solvents. Easy-action spiral hold-out and large cold shrink ratio makes for fast installation and durable, split-resistant performance.

How-to-Order

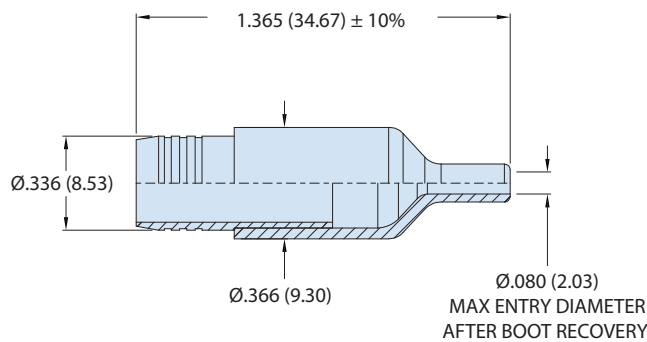
777	-	046	S	0	01
		Basic Part No.	Angular Function	Color	Boot Size
		Duraelectric Autoshrink Preinstalled Boot	S Straight	(See Table I)	

Color Designator	Color
0	Black
1	Brown
2	Red
3	Orange
4	Yellow
5	Green
6	Blue
7	Violet
8	Gray
9	White
DT	Desert Tan
OG	Dark Olive Green

AUTOSHRINK BOOT



AS SUPPLIED



RECOVERED

AutoShrink Boots and Grommet Follower (Type I)

- An "F" suffix in the contact part number indicates the contact is supplied with a grommet follower. To order El Ochito contacts with the 777-046 AutoShrink Boot, delete the "F" suffix from the part number.
- AutoShrink boots are not compatible with Type II Ochito contacts.
- El Ochito module is non-removable once the grommet follower is installed.