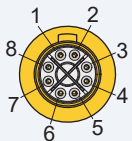


El Ochito® White-to-RJ45 Cable Assemblies 8571-0003 and -0004



El Ochito® White for 10GBASE-T Ethernet, pin contact mating face

Contact Positions



Mating face of Pin



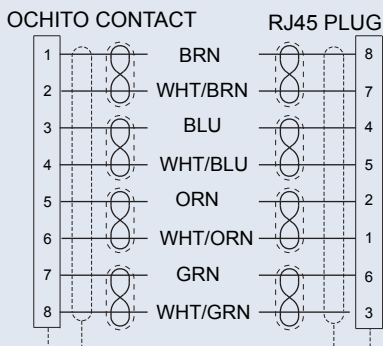
Mating face of Socket

Technical Data

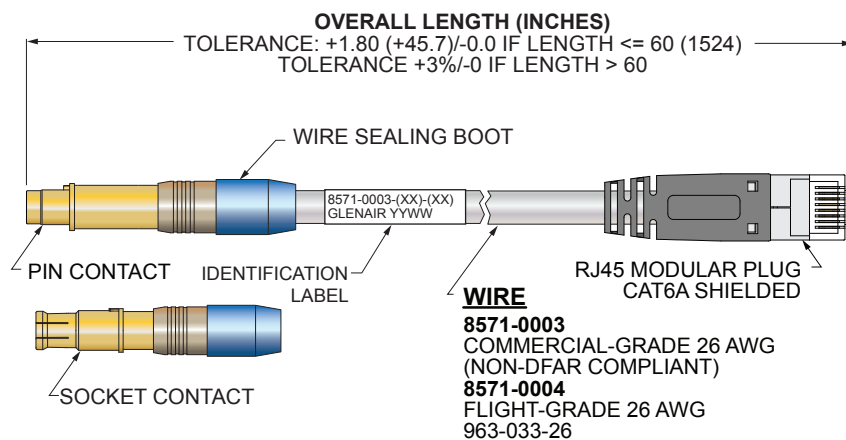
- Refer to individual contact data sheets for construction details
- 100% tested for shorts, continuity and IR
- Operating temp.:** -40° to +70°C
- Wire Size:** 26 AWG
- Impedance:** 100 ohms
- DWV:** 500 Vrms
- Current Rating:** 1.5 A
- IR:** 200 megohms min.
- Durability:** 500 mating cycles

Wiring Diagram

WIRE COLOR ASSIGNMENTS



*El Ochito® White-to-RJ45. Two cable options: commercial grade (8571-0003) or flight-grade (8571-0004) Cat6A. Save assembly time and cost with pre-wired El Ochito® White assemblies. Cost-effective commercial grade assemblies are perfect for LAN testers and de-bugging. High performance engineered fluoropolymer aerospace grade assemblies have foil shields on each wire pair. Compatible with Glenair Series 23 SuperNine, Series 80 Mighty Mouse, Series 28 HiPer-D, Series 792 connectors and ARINC 600. -40 to +70°C. **El Ochito® contacts must be installed in keyed connectors before mating to prevent misalignment and contact damage.***



El Ochito®-to-RJ45 Cable Assemblies, Commercial-grade Wire

Sample Part Number→	8571-0003	-01	-24
Product	8571-0003 = Cable Assy, El Ochito® to RJ45 Plug, Commercial Grade		
El Ochito® Contact Part Number	01 = 858-003-01F (Pin, for Series 23, 28, 80, 792) 02 = 858-004-01F (Socket, for Series 23, 28, 80) 03 = 858-032-01F (Socket, for Series 792) 04 = 858-009-01 (Pin, for ARINC 600) 05 = 858-010-01 (Socket, for ARINC 600)		
Length	Length in Inches (12 inch minimum)		

El Ochito®-to-RJ45 Cable Assemblies, Flight-grade Wire

Sample Part Number→	8571-0004	-01	-24
Product	8571-0004 = Cable Assy, El Ochito® to RJ45 Plug, Aerospace Grade		
El Ochito® Contact Part Number	01 = 858-003-02F (Pin, for Series 23, 28, 80 and 792) 02 = 858-004-02F (Socket, for Series 23, 28, 80) 03 = 858-032-02F (Socket, for Series 792) 04 = 858-009-02 (Pin, for ARINC 600) 05 = 858-010-02 (Socket, for ARINC 600)		
Length	Length in Inches (12 inch minimum)		