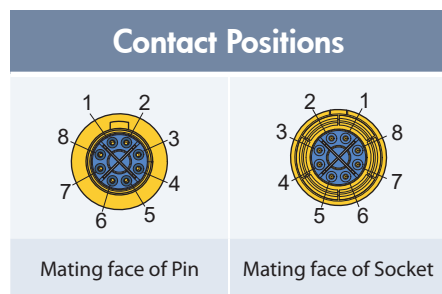


## El Ochito® Blue Single-Ended SuperSpeed USB Cable Assembly 8572-0001

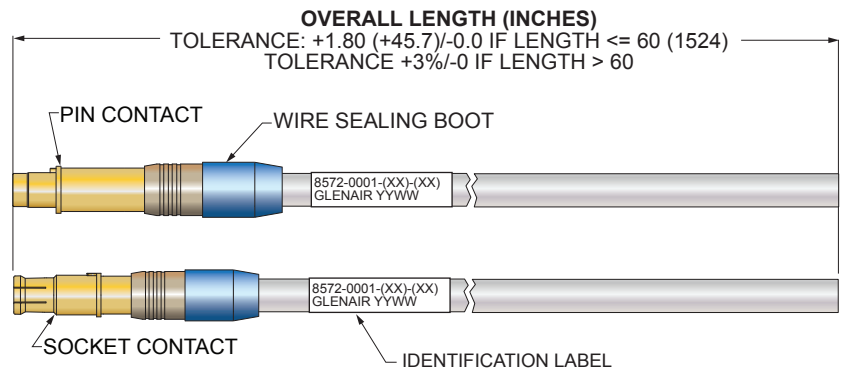
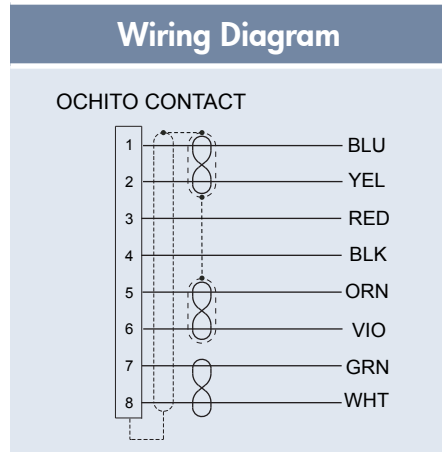


El Ochito® Blue for SuperSpeed USB, pin contact mating face

**Two cable options: commercial grade or flight-grade. 100% tested.** Save assembly time and cost with pre-wired El Ochito® Blue SuperSpeed USB assemblies. These single-ended assemblies have El Ochito® Blue contacts terminated to USB 3.0 shielded cables. Supplied with cable sealing boot. Commercial-grade version has PVC jacket. Aerospace-grade version has high temperature fluoropolymer construction and braided shields on SuperSpeed pairs. Compatible with Glenair Series 23, Series 80, Series 28, Series 792 and ARINC 600 connectors. **El Ochito® contacts must be installed in keyed connectors before mating to prevent misalignment and contact damage.**



- ### Technical Data
- Refer to individual contact and cable data sheets for construction details
  - 100% tested for shorts, continuity and IR
  - Operating temp.:** -65° to +125°C, aerospace-grade  
0° to +80°C, commercial-grade
  - Impedance:** 90 ohms
  - DWV:** 500 Vrms
  - Current Rating:** 1.5 A
  - IR:** 200 megohms min.
  - Durability :** 500 mating cycles



### El Ochito® Blue USB Single-Ended Cable Assemblies

Sample Part Number→	8572-0001	-01	-36
Product	8572-0001 = Pre-wired El Ochito® contact with USB 3.0 cable		
Order Code	See Table 1		
Length	Length in Inches (12 inch minimum)		

### Table 1 Order Code

Connector Type	Order Code	Contact Part No.	Pin/Skt	Cable Type	Cable Part Number
Series 23 Series 80 Series 28	01	858-028-01F	Pin	Commercial-grade, PVC Jacket, 0° to +80°C	963-118
	03	858-029-01F	Socket		963-118
	02	858-028-02F	Pin	Aerospace-grade, Fluoropolymer Jacket, -65° to +200°C	963-110
04	858-029-02F	Socket	963-110		
ARINC 600	05	858-038-01	Pin	Commercial-grade, PVC Jacket, 0° to +80°C	963-118
	07	858-035-01	Socket		963-118
	06	858-038-02	Pin	Aerospace-grade, Fluoropolymer Jacket, -65° to +200°C	963-110
08	858-035-02	Socket	963-110		
Series 792	09	858-028-01F	Pin	Commercial-grade, PVC Jacket, 0° to +80°C	963-118
	11	858-040-01F	Socket		963-118
	10	858-028-02F	Pin	Aerospace-grade, Fluoropolymer Jacket, -65° to +200°C	963-110
	12	858-040-02F	Socket		963-110