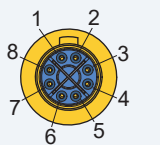


El Ochito® Blue Pin-Socket SuperSpeed USB Cable Assembly 8572-0002

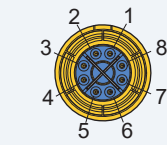


El Ochito® Blue for SuperSpeed USB, pin contact mating face

Contact Positions



Mating face of Pin

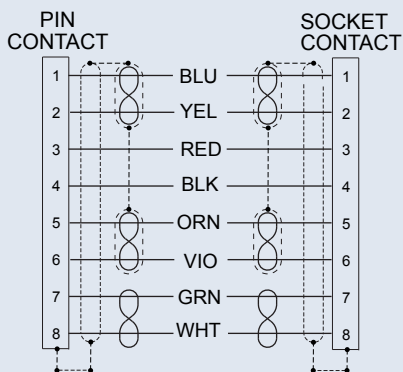


Mating face of Socket

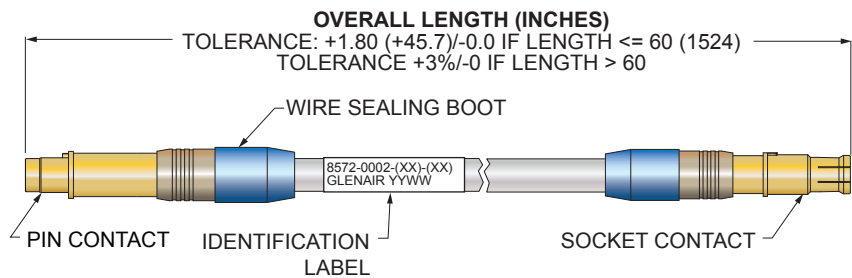
Technical Data

- Refer to individual contact and cable data sheets for construction details
- 100% tested for shorts, continuity and IR
- Operating temp.:** -65° to +125°C, aerospace-grade
0° to +80°C, commercial-grade
- Impedance:** 90 ohms
- DWV:** 500 Vrms
- Current Rating:** 1.5 A
- IR:** 200 megohms min.
- Durability:** 500 mating cycles

Wiring Diagram



Aerospace-grade or commercial-grade cable. 100% tested. Save assembly time and cost with pre-wired El Ochito® Blue SuperSpeed USB assemblies. These assemblies have a pin contact on one end and a socket contact on the other end. Aerospace-grade high temperature cable (963-110) has fluoropolymer construction. Commercial-grade version has PVC jacket. Compatible with Glenair Series 23, Series 80, Series 28, Series 792 and ARINC 600 connectors. Supplied with cable sealing boot. **El Ochito® contacts must be installed in keyed connectors before mating to prevent misalignment and contact damage.**



Pre-Wired El Ochito® Blue Pin-Socket Cable Assemblies

Sample Part Number →	8572-0002	-01	-36
Product	8572-0002 = Pre-wired El Ochito® contact with USB 3.0 cable		
Order Code	See Table 1		
Length	Length in Inches (12 inch minimum)		

Table 1 Order Code

Connector Type	Order Code	Pin Contact Part No.	Socket Contact Part No.	Cable Type	Cable Part Number
Series 23 Series 80 Series 28	01	858-028-01F	858-029-01F	Commercial-grade PVC Jacket 0° to +80C	963-118
	02	858-028-02F	858-029-02F	Aerospace-grade Fluoropolymer Jacket -65° to +200C	963-110
ARINC 600	03	858-038-01	858-035-01	Commercial-grade PVC Jacket 0° to +80C	963-118
	04	858-038-02	858-035-02	Aerospace-grade Fluoropolymer Jacket -65° to +200C	963-110
Series 792	05	858-028-01F	858-040-01F	Commercial-grade PVC Jacket 0° to +80C	963-118
	06	858-028-02F	858-040-02F	Aerospace-grade Fluoropolymer Jacket -65° to +200C	963-110