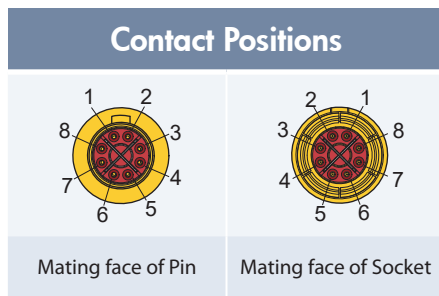


El Ochito® Red Pin-Socket Cable Assembly 8573-0002



El Ochito® Red for Multi-Gigabit 100 Ohm Datalinks, pin contact mating face

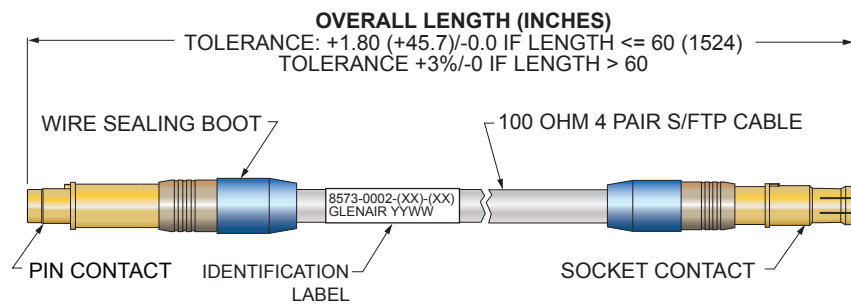
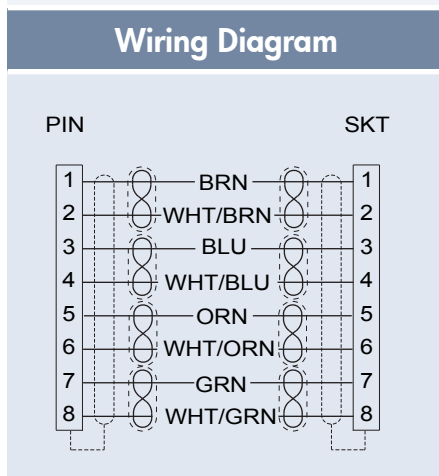
Save assembly time and cost with pre-wired, 100% tested El Ochito® Red assemblies for multi-gigabit datalinks. These pin-to-socket cables have El Ochito® Red contacts terminated to high performance flight-grade 100 ohm shielded twisted pair cable. Supplied with cable sealing boots. Compatible with Glenair Series 23, Series 80, Series 28, Series 792 and ARINC 600 connectors. Designed to meet the requirements of MIL-DTL-38999 and SAE AS39029. *El Ochito® contacts must be installed in keyed connectors before mating to prevent misalignment and contact damage.*



Technical Data

- Refer to individual contact data sheets for construction details
- 100% tested for shorts, continuity and IR

- Operating temp.:** -65° to +125°C
- Impedance:** 100 ohms
- DWV:** 500 Vrms
- Current Rating:** 1.5 A
- IR:** 200 megohms min.
- Durability:** 500 mating cycles



Pre-Wired El Ochito® Red Pin-Socket Cable Assemblies

Sample Part Number→	8573-0002	-01	-48
Product	8573-0002 = Pre-wired El Ochito® Red Pin-to-Socket Assemblies.		
El Ochito® Contact P/N	See Table 1		
Length	Length in Inches (12 inch minimum)		

Table 1 Order Code

Connector Type	Order Code	Pin Contact Part No.	Skt Contact Part No.	Seling Boot	Cable
Series 23 Series 80 Series 28	01	858-030-02F	858-031-02F	Yes	963-033-26
ARINC 600	02	858-039-01	858-037-01	No	963-033-26
Series 792	03	858-030-02F	858-041-01F	Yes	963-033-26